



A Phoenix Mecano Company



INDUSTRIAL ENCLOSURES

www.rose-systemtechnik.com



The ROSE Systemtechnik GmbH company was founded in Porta Westfalica in 1969. With more than 350 employees there, it is one of the leading innovative suppliers worldwide of industrial enclosure system technology.

As part of the Phoenix Mecano AG / Switzerland group of companies, we develop and manufacture high-quality industrial enclosures and system solutions in the fields of railway and traffic engineering, mechanical and plant engineering, automation technology, potentially explosive environments, MSR technology and the foodstuffs and luxury food industry.

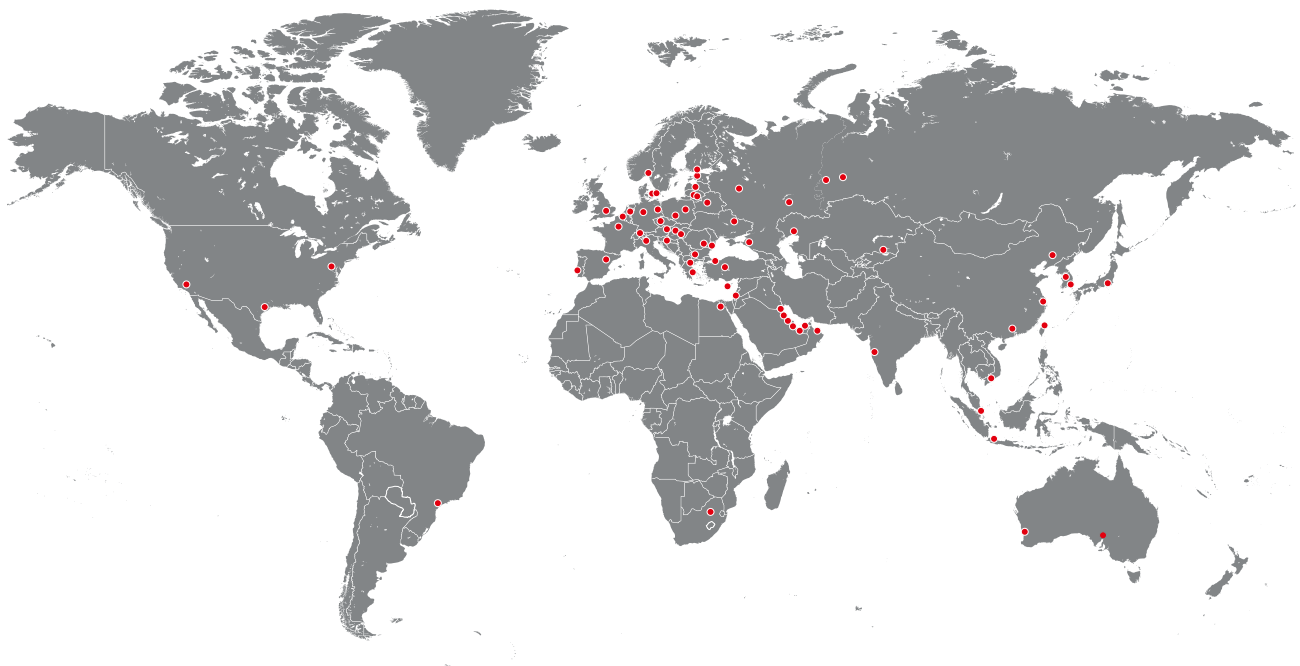
Our product range comprises:

- Aluminium, stainless steel and plastic industrial enclosures for individual installations with electrical connection technology and electronics modules.
- Operating and display enclosures based on aluminium profile systems and stainless steel materials for HMI applications with industry PCs, SPS control systems or visualisation units incl. suspension systems.
- Components for explosion protection with distribution enclosures and control stations for worldwide use in explosive areas, and the petrochemicals and chemical industry in onshore and offshore sectors.










In addition to our broad range of products and the high level of quality and permanent innovation, the basis for our commercial success lies in our excellent standard of service.

You take the decisions about the delivery condition – the unprocessed enclosure, partial assembly or a fully-assembled and tested customer-specific system solution.

Our worldwide sales network



Contents

	Page
	Aluform Aluminium enclosure system for terminals, electronic components and membrane keypads 6 - 19
	Aluminium Standard Universal enclosure system for industrial applications with electrical / electronic components 20 - 46
	AluFormPlus Aluminium diecast enclosures for electronic applications 47 - 49
	Polyester Standard Polyester enclosure system for industrial applications with electrical / mechanical components 50 - 68
	Polyester Railway Enclosures Robust GRP enclosure for railway applications 69 - 71
	Polyester CombiBox Polyester enclosure system for industrial applications with two level fitting possibilities 72 - 76
	Polyester Flange Installation enclosure system with flange openings 77 - 82
	Polycarbonate / ABS Installation and energy distribution enclosure system 83 - 99
	Polycarbonate Flange Light-weight installation enclosure system with flange-pre-embossing 100 - 106

Technical changes reserved

Seite



ECO / PCI Compact enclosures

Low cost installation and distribution enclosure system

107 - 117



Polyglas / Polycase

Polyester enclosure with hinged door

118 - 121



Mini-Polyglas

Small polyester enclosure with hinged lid

122 - 124



Polyester / ABS cabinets

Cabinets in standard design or with window

125 - 129



CS Box

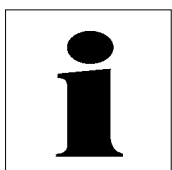
Polyamide control enclosures and junction boxes

130 - 133



Cable glands

134 - 138



General technical information

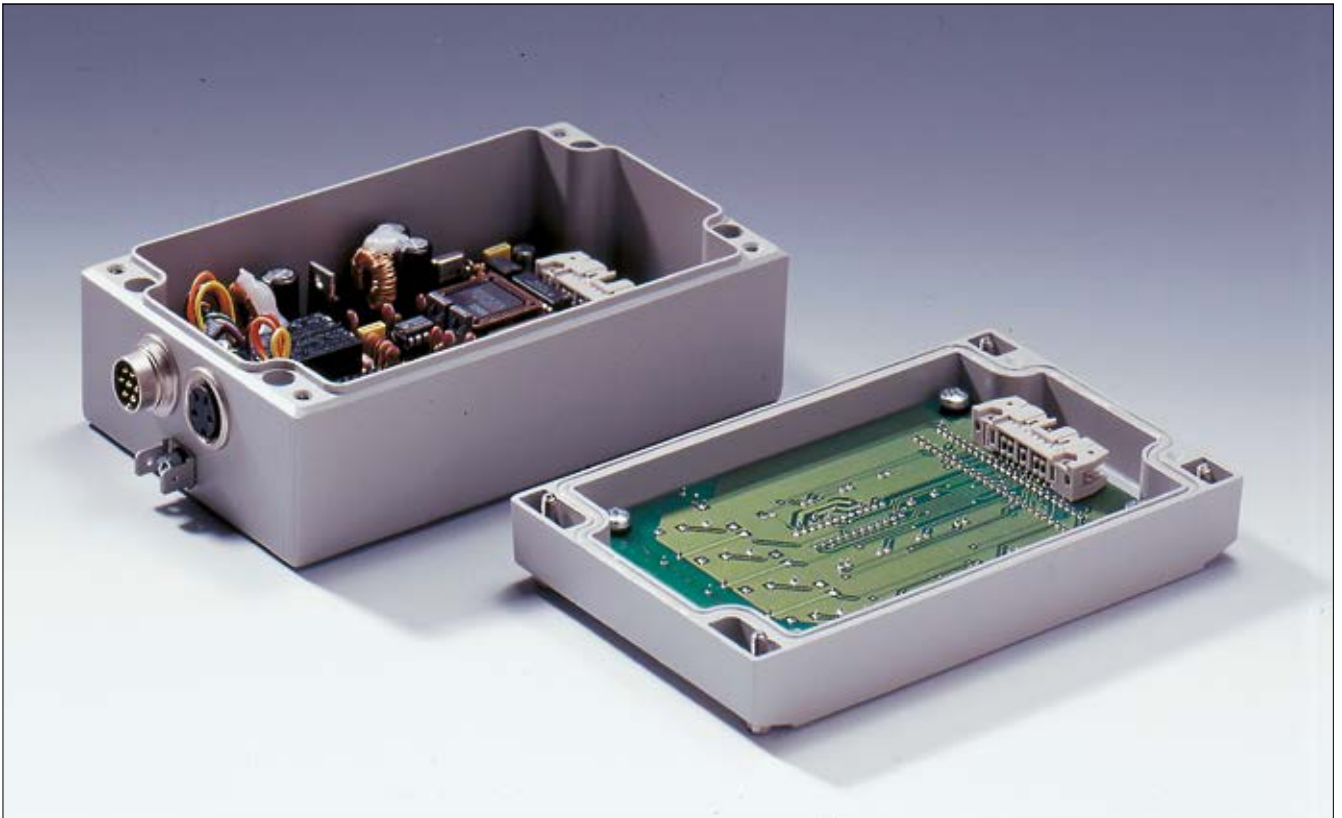
139 - 142



For more industrial enclosure systems made of stainless steel, please refer to the catalogue „Stainless Steel Enclosures“

Aluform

Applications





- Aluminium diecast enclosure for MCR and automation technology
- Prepared for acceptance for front membranes and keypads
- Rectangular dome sequence in lid and base

Technical Data

Material:

DIN EN 1706 EN AC-AISI 12 (Fe)

Painting:

powder coating

Colour:

RAL 7038, agate grey

special colour on request

Ingress protection:

IP 66 to EN 60529

higher protection on request

Impact resistance:

7 Joule to EN 60079-0

Temperature range:

PU (polyurethane) seal (std.): -40°C to +90°C

CR (chloroprene) seal: -40°C to +100°C

VMQ (silicone) seal (optional): -60°C to +130°C

Included in delivery

Aluminium diecast enclosure consisting of lid, seal incl. captive +/- stainless steel screws, base with 4 earthing screws

Aluform

Product range

Order No.	B x L x H (mm)	Mounting plate	DIN rail TS 15	DIN rail TS 35	External mounting brackets (pair)
04.08 08 08	80 x 80 x 81	10.01 10 60	10.06 10 03		04.00 00 80
04.08 12 05	80 x 120 x 51	10.01 10 61			04.00 00 80
04.08 12 08	80 x 120 x 81	10.01 10 61	10.06 10 50		04.00 00 80
04.10 10 06	100 x 100 x 61	10.01 10 31	10.06 10 07	10.06 14 71	04.00 01 00
04.10 16 06	100 x 160 x 61	10.01 10 32	10.06 10 08	10.06 14 72	04.00 01 00
04.10 20 06	100 x 200 x 61	10.01 10 33	10.06 10 09	10.06 14 73	04.00 01 00
04.12 12 08	120 x 120 x 81	10.01 10 62	10.06 10 50	10.06 14 83	04.00 01 20
04.12 16 08	120 x 160 x 81	10.01 10 63	10.06 10 08	10.06 14 72	04.00 01 20
04.14 14 07	140 x 140 x 71	10.01 10 34	10.06 10 44	10.06 14 74	04.00 01 40
04.14 18 07	140 x 180 x 71	10.01 10 35	10.06 10 05	10.06 14 75	04.00 01 40
04.14 22 07	140 x 220 x 72	10.01 10 36	10.06 10 46	10.06 14 76	04.00 01 40
04.15 18 08	150 x 180 x 81	10.01 10 70	on request	on request	
04.16 16 08	160 x 160 x 81	10.01 10 64	10.06 10 08	10.06 14 72	04.00 01 60
04.16 24 08	160 x 240 x 81	10.01 10 65	10.06 10 51	10.06 14 84	04.00 01 60
04.20 20 07	200 x 200 x 72	10.01 10 37	10.06 10 09	10.06 14 73	04.00 02 00
04.20 28 07	200 x 280 x 72	10.01 10 59	10.06 10 48	10.06 14 81	04.00 02 00
04.28 28 11	280 x 280 x 111	10.01 10 71	10.06 10 48	10.06 14 81	

Accessories

Type	DIN rails for terminals		Mounting plate 1)	External mounting brackets pair	External aluminium hinges pair 3), 4)	EMC screening	SWB/SBG/SBGL Corrosion protection	Allen lid screws 2)	Silicone lid seal up to +130°C	Sealable lid screws in steel	Lid safety strip
	TS 15	TS 35									
04.08 08 08	•		•	•	•	•	•	•	•	•	•
04.08 12 05			•	•	•	•	•	•	•	•	•
04.08 12 08	•		•	•	•	•	•	•	•	•	•
04.10 10 06	•	•	•	•	•	•	•	•	•	•	•
04.10 16 06	•	•	•	•	•	•	•	•	•	•	•
04.10 20 06	•	•	•	•	•	•	•	•	•	•	•
04.12 12 08	•	•	•	•	•	•	•	•	•	•	•
04.12 16 08	•	•	•	•	•	•	•	•	•	•	•
04.14 14 07	•	•	•	•	•	•	•	•	•	•	•
04.14 18 07	•	•	•	•	•	•	•	•	•	•	•
04.14 22 07	•	•	•	•	•	•	•	•	•	•	•
04.15 18 08	•	•	•		•	•	•	•	•	•	•
04.16 16 08	•	•	•	•	•	•	•	•	•	•	•
04.16 24 08	•	•	•	•	•	•	•	•	•	•	•
04.20 20 07	•	•	•	•	•	•	•	•	•	•	•
04.20 28 07	•	•	•	•	•	•	•	•	•	•	•
04.28 28 11	•	•	•		•	•	•	•	•	•	•

1) Laminated paper

2) Stainless steel

3) Diecast aluminium

4) Please quote the installation side A-D when ordering

Terminal mounting

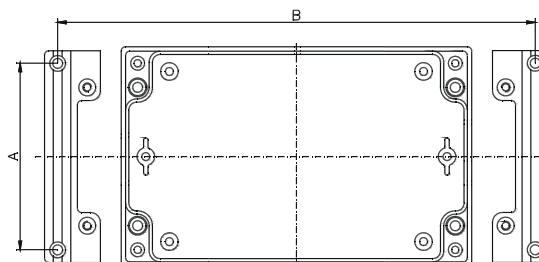
	Phoenix									Earth connection as required
	X	X								
DIN rail TS 15	X	X								
DIN rail TS 35			X	X	X	X	X	X		
Voltage (V)	500	500	1000	1000	1000	1000	1000	1000		
Current (A)	24	32	24	32	41	57	76	125		
Nom. cross section (mm ²)	2,5	4	2,5	4	6	10	16	35		
Terminal width (mm)	5,2	6,2	5,2	6,2	8,2	10,2	12,2	16		
Terminal type										
Type	MUT 2,5	MUT 4	UT 2,5	UT 4	UT 6	UT 10	UT 16	UT 35		
04.08 08 08	7	5	5	4	3	2	2			
04.08 12 05										
04.08 12 08	14	12	13	11	8	6	5			
04.10 10 06	11	9								
04.10 16 06	22	18								
04.10 20 06	30	25								
04.12 12 08	14	12	13	11	8	6	5			
04.12 16 08	22	18	20	17	13	10	8			
04.14 14 07	18	15	17	14	10	8				
04.14 18 07	26	22	24	20	15	12				
04.14 22 07	34	28	32	27	20	16				
04.15 18 08	26	22	24	20	15	12	7			
04.16 16 08	34	18	20	17	13	10	8			
04.16 24 08	37	31	36	30	23	18	15			
04.20 20 07	30	25	28	23	18	14				
04.20 28 07	45	38	44	36	27	22				
04.28 28 11	45	38	44	36	27	22	18	15		

Accessories



External mounting brackets (set = 2 pcs.)
for mounting without opening the lid

Order No.	A	B	for type	Order No.	A	B	for type
04.00 00 80	65	92	04.08 08 08	04.00 01 40	125	152	04.14 14 07
04.00 00 80	65	132	04.08 12 08	04.00 01 40	125	192	04.14 18 07
04.00 01 00	85	112	04.10 10 06	04.00 01 40	125	232	04.14 22 07
04.00 01 00	85	172	04.10 16 06	04.00 01 60	145	172	04.16 16 08
04.00 01 00	85	212	04.10 20 06	04.00 01 60	145	252	04.16 24 08
04.00 01 20	105	132	04.12 12 08	04.00 02 00	185	212	04.20 20 07
04.00 01 20	105	172	04.12 16 08	04.00 02 00	185	292	04.20 28 07



Aluform

Accessories



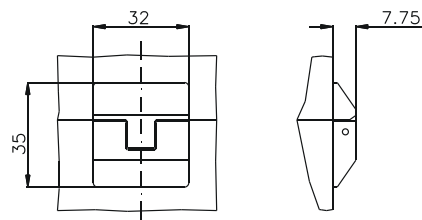
Panel holder
to convert the Aluform enclosure into a multi-functional control terminal
wall or table mounting
sheet steel material; powder coated, RAL 7030, stone grey

Order No.	width	for type
04.30 00 09	98 mm	04.10 10 06
		04.10 16 06
		04.10 20 06
04.30 00 14	138 mm	04.14 14 07
		04.14 18 07
		04.14 22 07



External hinge (set = 2 pcs)

Order No. **04.00 00 10**



Lid safety strip
set = 2 pcs.
Note: for fastening base has to be manufactured

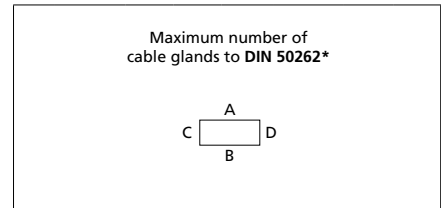
Order No. **04.00 00 20**

Type: **04.08 08 08**

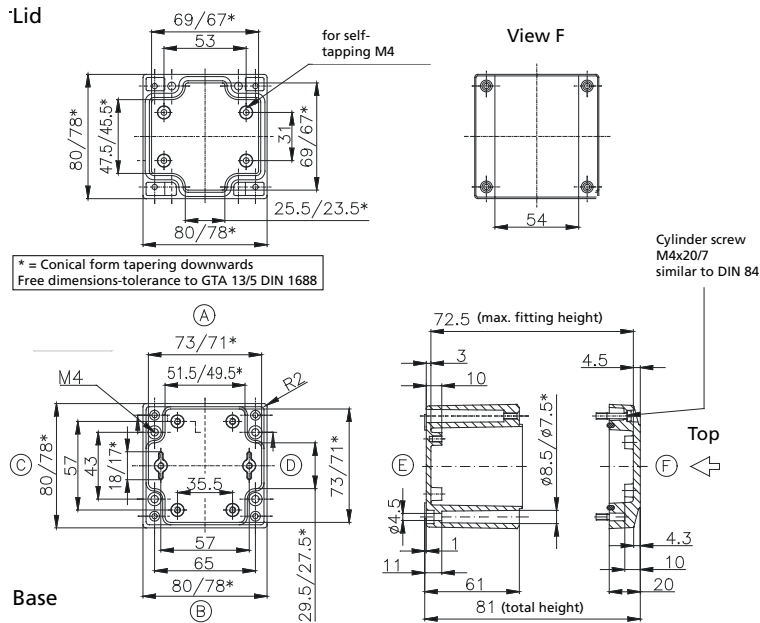
External dimensions: **80 x 80 x 81 mm**

Weight: **580 g**

DIN rail length in mm	max. fitting length in mm	Mounting plate (thickness in mm)	External mounting brackets	External hinge* set	EMC version	SWB / SBG / SBGL corrosion protection	Allen lid screws	Silicone lid seal	Sealable lid screws in steel	Lid safety strip
TS 15										
63	50	2	•	•	•	•	•	•	•	•



M	Corner dim.	Side		PG	Corner dim.	Side	
		A/B	C/D			A/B	C/D
12	17,25	8	3	7	17,25	8	3
16	25,30	4	2	9	21,85	5	2
20	27,60	3	1	11	25,30	4	2
25	37,95	1	1	13,5	27,60	3	1
32	48,30	1		16	31,05	2	1
40	60,95			21	37,95	1	
50	69,00			29	48,30	1	
63	74,75			36	60,95		
				42	69,00		
				48	74,75		

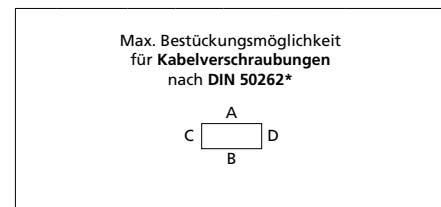


Type: **04.08 12 05**

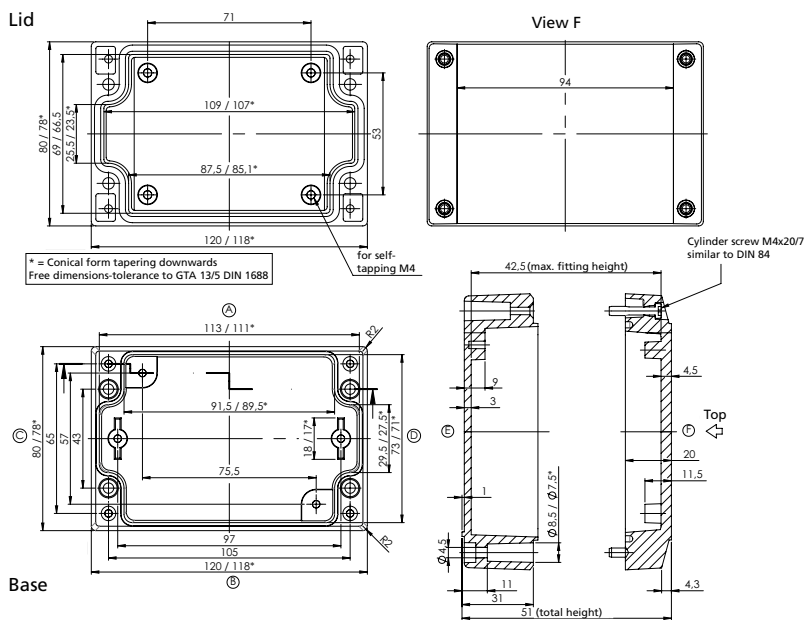
External dimensions: **80 x 120 x 51 mm**

Weight: **436 g**

DIN rail length in mm	max. fitting length in mm	Mounting plate (thickness in mm)	External mounting brackets	External hinge* set	EMC version	SWB / SBG / SBGL corrosion protection	Allen lid screws	Silicone lid seal	Sealable lid screws in steel	Lid safety strip
		2	•	•	•	•	•	•	•	•



M	Corner dim.	Side		PG	Corner dim.	Side	
		A/B	C/D			A/B	C/D
12	17,25	6	1	7	17,25	6	1
16	25,30	3	1	9	21,85	4	1
20	27,60	3		11	25,30	3	
25	37,95			13,5	27,60	3	
32	48,30			16	31,05		
40	60,95			21	37,95		
50	69,00			29	48,30		
63	74,75			36	60,95		
				42	69,00		
				48	74,75		



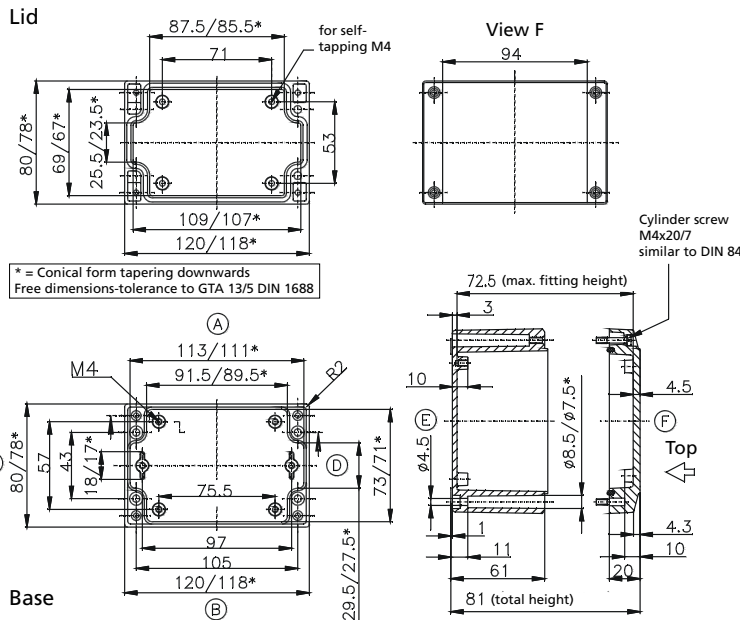
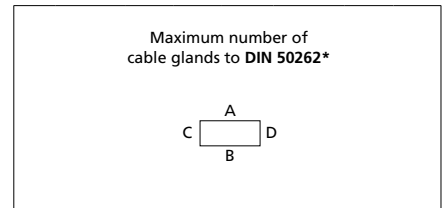
* Please quote mounting side

Type: **04.08 12 08**

External dimensions: **80 x 120 x 81 mm**

Weight: **650 g**

DIN rail length in mm	max. fitting length in mm	Mounting plate (thickness in mm)	External mounting brackets	External hinge* set	EMC version	SWB / SBGL corrosion protection	Allen lid screws	Silicone lid seal	Sealable lid screws in steel	Lid safety strip
TS 15										
107	90	2	•	•	•	•	•	•	•	•



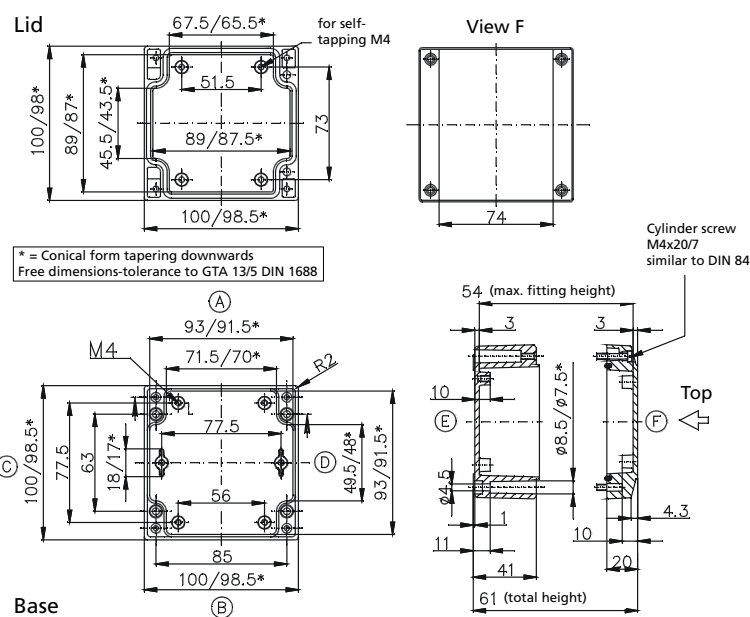
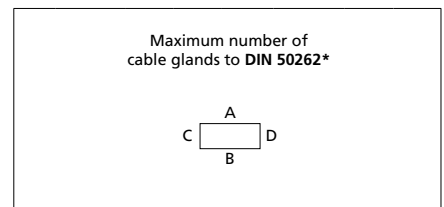
M	Corner dim.	Side		PG	Corner dim.	Side	
		A/B	C/D			A/B	C/D
12	17,25	15	3	7	17,25	15	3
16	25,30	6	2	9	21,85	8	2
20	27,60	5	1	11	25,30	6	2
25	37,95	2	1	13,5	27,60	5	1
32	48,30	2		16	31,05	3	1
40	60,95			21	37,95	2	
50	69,00			29	48,30	2	
63	74,75			36	60,95		
				42	69,00		
				48	74,75		

Type: **04.10 10 06**

External dimensions: **100 x 100 x 61 mm**

Weight: **650 g**

DIN rail length in mm	max. fitting length in mm	Mounting plate (thickness in mm)	External mounting brackets	External hinge* set	EMC version	SWB / SBGL corrosion protection	Allen lid screws	Silicone lid seal	Sealable lid screws in steel	Lid safety strip
TS 15/TS 35										
87,5	70	2	•	•	•	•	•	•	•	•



M	Corner dim.	Side		PG	Corner dim.	Side	
		A/B	C/D			A/B	C/D
12	17,25	6	4	7	17,25	5	4
16	25,30	3	2	9	21,85	3	2
20	27,60	2	2	11	25,30	3	2
25	37,95			13,5	27,60	2	2
32	48,30			16	31,05	2	1
40	60,95			21	37,95		
50	69,00			29	48,30		
63	74,75			36	60,95		
				42	69,00		
				48	74,75		

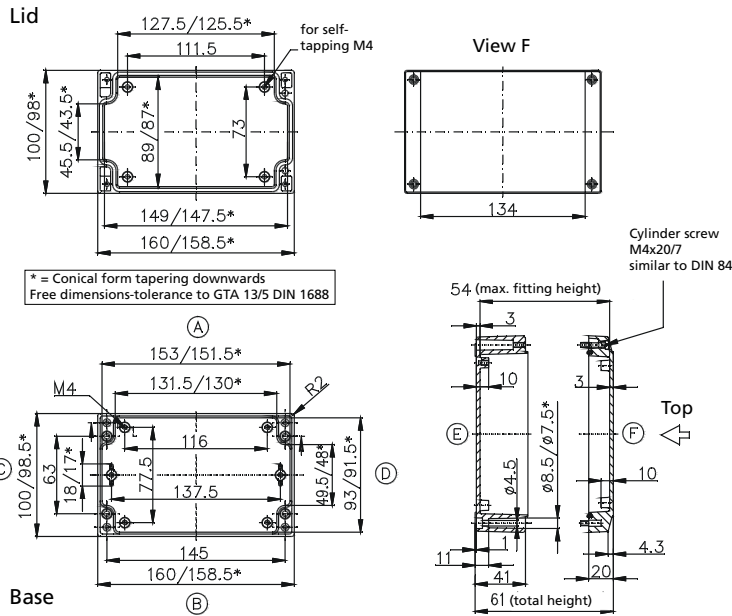
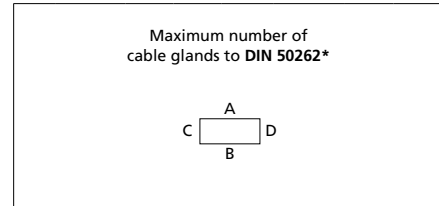
* Please quote mounting side

Type: **04.10 16 06**

External dimensions: **100 x 160 x 61 mm**

Weight: **820 g**

DIN rail length in mm	max. fitting length in mm	Mounting plate (thickness in mm)	External mounting brackets	External hinge* set	EMC version	SWB / SBGL corrosion protection	Allen lid screws	Silicone lid seal	Sealable lid screws in steel	Lid safety strip
TS 15/TS 35										
148	130	2	•	•	•	•	•	•	•	•



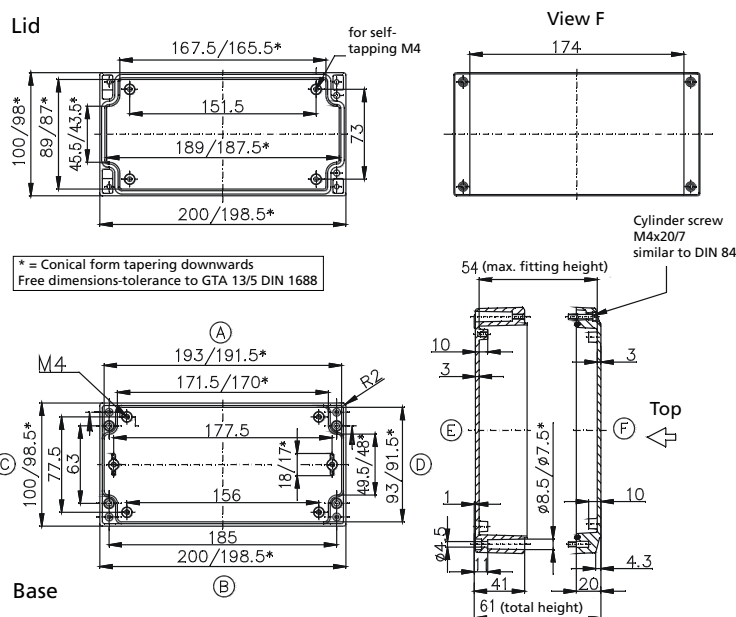
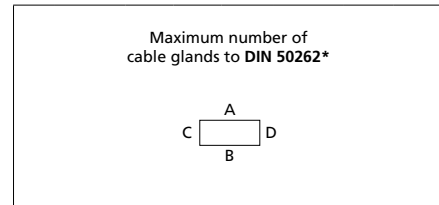
M	Corner dim.	Side		PG	Corner dim.	Side	
		A/B	C/D			A/B	C/D
12	17,25	11	4	7	17,25	11	4
16	25,30	5	2	9	21,85	6	2
20	27,60	4	2	11	25,30	5	2
25	37,95			13,5	27,60	4	2
32	48,30			16	31,05	4	1
40	60,95			21	37,95		
50	69,00			29	48,30		
63	74,75			36	60,95		
				42	69,00		
				48	74,75		

Type: **04.10 20 06**

External dimensions: **100 x 200 x 61 mm**

Weight: **840 g**

DIN rail length in mm	max. fitting length in mm	Mounting plate (thickness in mm)	External mounting brackets	External hinge* set	EMC version	SWB / SBGL corrosion protection	Allen lid screws	Silicone lid seal	Sealable lid screws in steel	Lid safety strip
TS 15/TS 35										
188	170	2	•	•	•	•	•	•	•	•



M	Corner dim.	Side		PG	Corner dim.	Side	
		A/B	C/D			A/B	C/D
12	17,25	15	4	7	17,25	14	4
16	25,30	7	2	9	21,85	8	2
20	27,60	6	2	11	25,30	7	2
25	37,95			13,5	27,60	6	2
32	48,30			16	31,05	5	1
40	60,95			21	37,95		
50	69,00			29	48,30		
63	74,75			36	60,95		
				42	69,00		
				48	74,75		

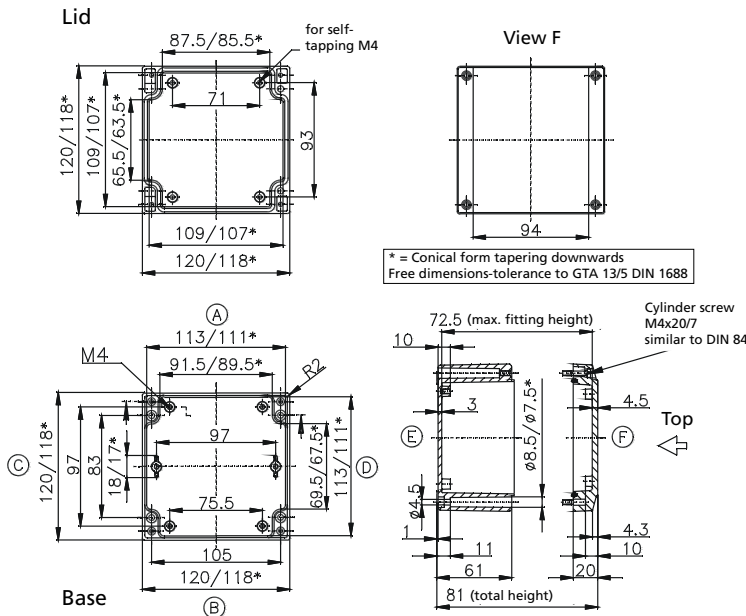
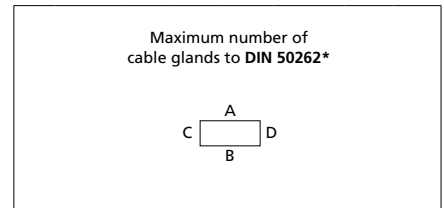
* Please quote mounting side

Type: **04.12 12 08**

External dimensions: **120 x 120 x 81 mm**

Weight: **880 g**

DIN rail length in mm	max. fitting length in mm	Mounting plate (thickness in mm)	External mounting brackets	External hinge* set	EMC version	SWB / SBGL corrosion protection	Allen lid screws	Silicone lid seal	Sealable lid screws in steel	Lid safety strip
TS 15/TS 35										
107	90	2	•	•	•	•	•	•	•	•



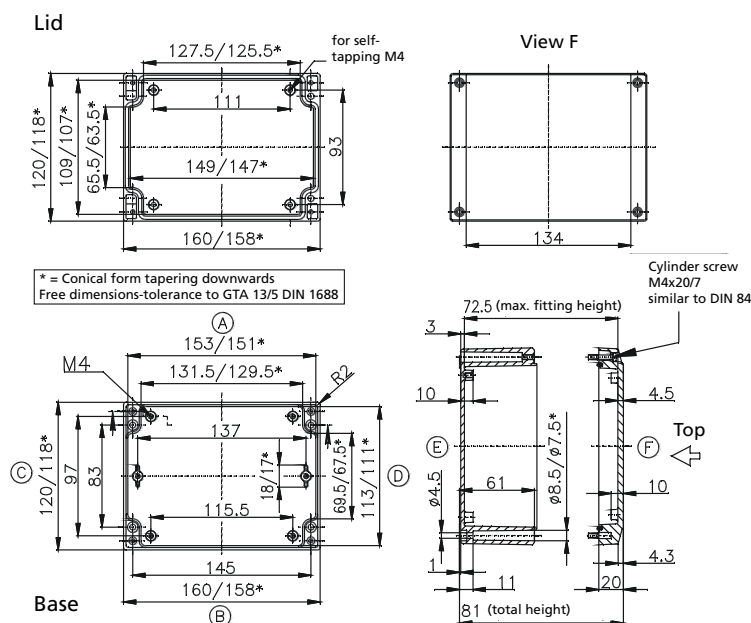
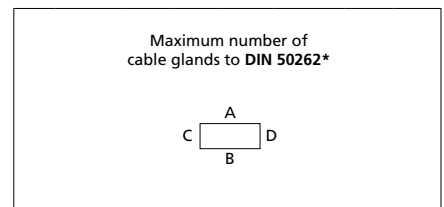
M	Corner dim.	Side		PG	Corner dim.	Side	
		A/B	C/D			A/B	C/D
12	17,25	15	11	7	17,25	15	11
16	25,30	6	6	9	21,85	8	6
20	27,60	5	4	11	25,30	6	5
25	37,95	2	2	13,5	27,60	5	4
32	48,30	2	1	16	31,05	3	2
40	60,95			21	37,95	2	2
50	69,00			29	48,30	2	1
63	74,75			36	60,95		
				42	69,00		
				48	74,75		

Type: **04.12 16 08**

External dimensions: **120 x 160 x 81 mm**

Weight: **830 g**

DIN rail length in mm	max. fitting length in mm	Mounting plate (thickness in mm)	External mounting brackets	External hinge* set	EMC version	SWB / SBGL corrosion protection	Allen lid screws	Silicone lid seal	Sealable lid screws in steel	Lid safety strip
TS 15/TS 35										
148	130	2	•	•	•	•	•	•	•	•



M	Corner dim.	Side		PG	Corner dim.	Side	
		A/B	C/D			A/B	C/D
12	17,25	21	11	7	17,25	21	11
16	25,30	10	6	9	21,85	12	6
20	27,60	8	4	11	25,30	10	5
25	37,95	4	2	13,5	27,60	8	4
32	48,30	3	1	16	31,05	5	2
40	60,95			21	37,95	3	2
50	69,00			29	48,30	2	1
63	74,75			36	60,95		
				42	69,00		
				48	74,75		

* Please quote mounting side

Type: **04.14 14 07**

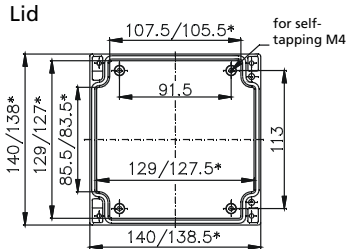
External dimensions: **140 x 140 x 71 mm**

Weight: **800 g**

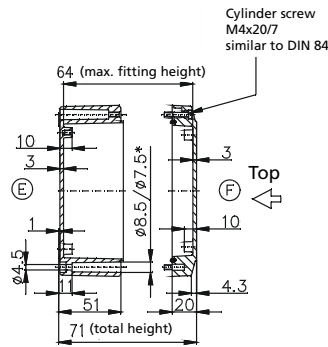
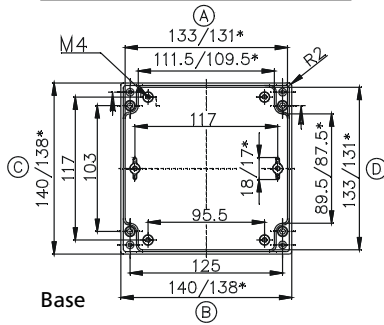
DIN rail length in mm	max. fitting length in mm	Mounting plate (thickness in mm)	External mounting brackets	External hinge* set	EMC version	SWB / SBGL corrosion protection	Allen lid screws	Silicone lid seal	Sealable lid screws in steel	Lid safety strip
TS 15/TS 35										
126	110	2	•	•	•	•	•	•	•	•

Maximum number of cable glands to DIN 50262*

M	Corner dim.	Side		PG	Corner dim.	Side	
		A/B	C/D			A/B	C/D
12	17,25	12	10	7	17,25	12	10
16	25,30	5	4	9	21,85	9	7
20	27,60	4	3	11	25,30	5	4
25	37,95	3	2	13,5	27,60	4	3
32	48,30			16	31,05	3	3
40	60,95			21	37,95	3	2
50	69,00			29	48,30		
63	74,75			36	60,95		
				42	69,00		
				48	74,75		



* = Conical form tapering downwards
Free dimensions-tolerance to GTA 13/5 DIN 1688



Type: **04.14 18 07**

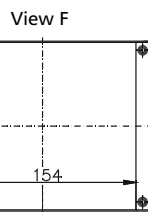
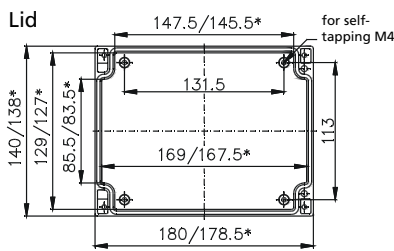
External dimensions: **140 x 180 x 71 mm**

Weight: **1000 g**

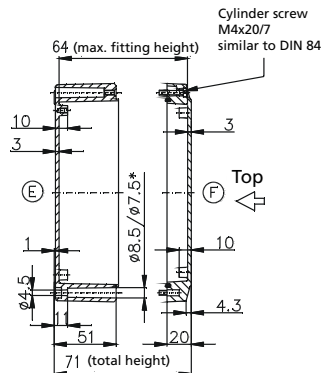
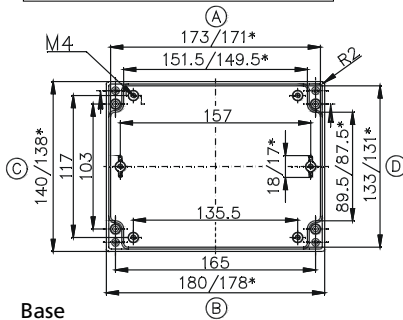
DIN rail length in mm	max. fitting length in mm	Mounting plate (thickness in mm)	External mounting brackets	External hinge* set	EMC version	SWB / SBGL corrosion protection	Allen lid screws	Silicone lid seal	Sealable lid screws in steel	Lid safety strip
TS 15/TS 35										
163	150	2	•	•	•	•	•	•	•	•

Maximum number of cable glands to DIN 50262*

M	Corner dim.	Side		PG	Corner dim.	Side	
		A/B	C/D			A/B	C/D
12	17,25	17	10	7	17,25	17	10
16	25,30	8	4	9	21,85	13	7
20	27,60	6	3	11	25,30	7	4
25	37,95	4	2	13,5	27,60	6	3
32	48,30			16	31,05	5	3
40	60,95			21	37,95	4	2
50	69,00			29	48,30		
63	74,75			36	60,95		
				42	69,00		
				48	74,75		



* = Conical form tapering downwards
Free dimensions-tolerance to GTA 13/5 DIN 1688



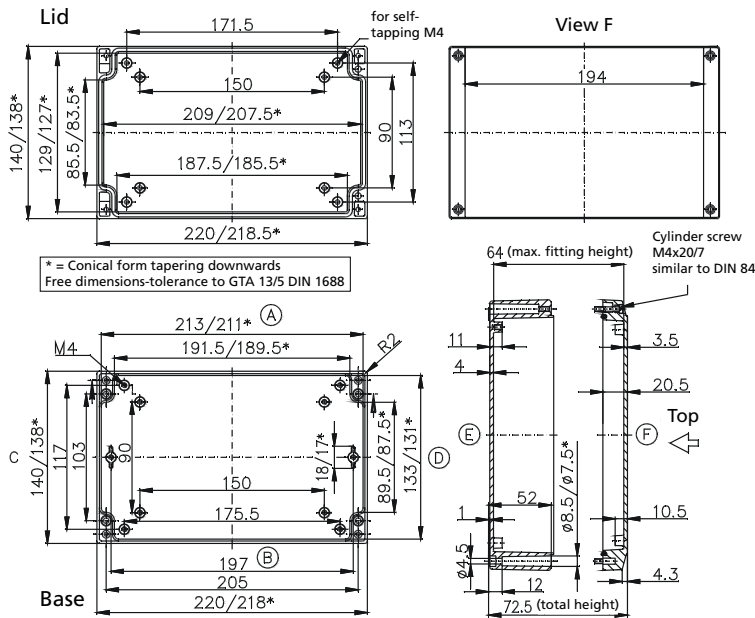
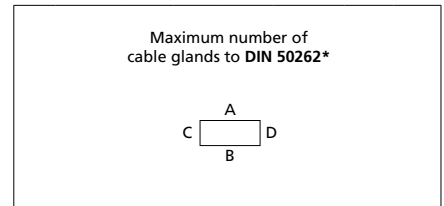
* Please quote mounting side

Type: **04.14 22 07**

External dimensions: **140 x 220 x 72 mm**

Weight: **1266 g**

DIN rail length in mm	max. fitting length in mm	Mounting plate (thickness in mm)	External mounting brackets	External hinge* set	EMC version	SWB / SBG / SBGL corrosion protection	Allen lid screws	Silicone lid seal	Sealable lid screws in steel	Lid safety strip
TS 15/TS 35										
206	190	2	•	•	•	•	•	•	•	•



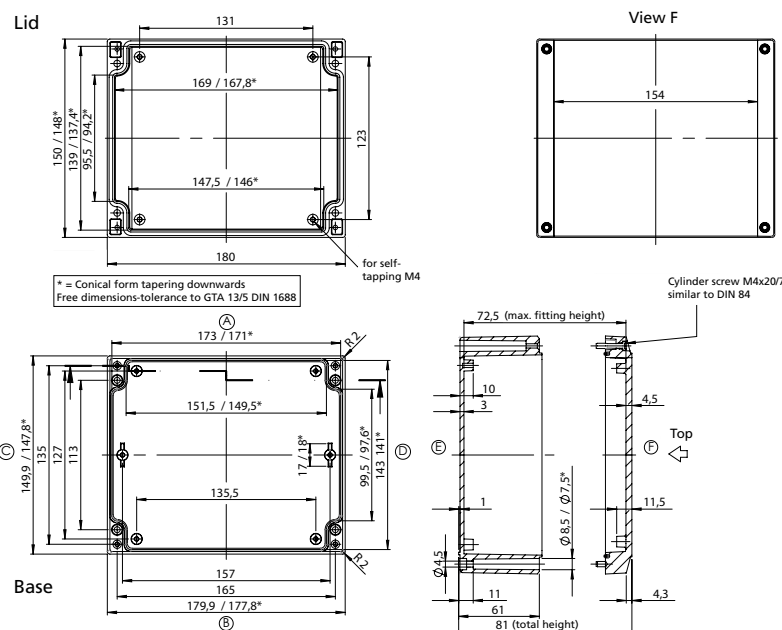
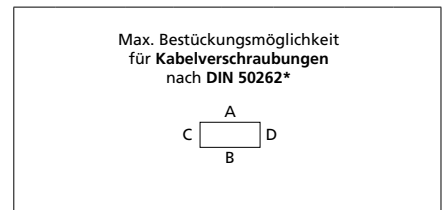
M	Corner dim.	Side		PG	Corner dim.	Side	
		A/B	C/D			A/B	C/D
12	17,25	22	10	7	17,25	22	10
16	25,30	10	4	9	21,85	16	7
20	27,60	8	3	11	25,30	9	4
25	37,95	5	2	13,5	27,60	8	3
32	48,30			16	31,05	6	3
40	60,95			21	37,95	5	2
50	69,00			29	48,30		
63	74,75			36	60,95		
				42	69,00		
				48	74,75		

Type: **04.15 18 08**

External dimensions: **150 x 180 x 81 mm**

Weight: **1100 g**

DIN rail length in mm	max. fitting length in mm	Mounting plate (thickness in mm)	External mounting brackets	External hinge* set	EMC version	SWB / SBG / SBGL corrosion protection	Allen lid screws	Silicone lid seal	Sealable lid screws in steel	Lid safety strip
TS 15										
			•	•	•	•	•	•	•	•



M	Corner dim.	Side		PG	Corner dim.	Side	
		A/B	C/D			A/B	C/D
12	17,25	24	15	7	17,25	24	15
16	25,30	12	8	9	21,85	14	9
20	27,60	10	6	11	25,30	12	8
25	37,95	4	3	13,5	27,60	10	6
32	48,30	3	2	16	31,05	7	4
40	60,95			21	37,95	4	3
50	69,00			29	48,30	3	2
63	74,75			36	60,95		
				42	69,00		
				48	74,75		

* Please quote mounting side

Type: **04.16 16 08**

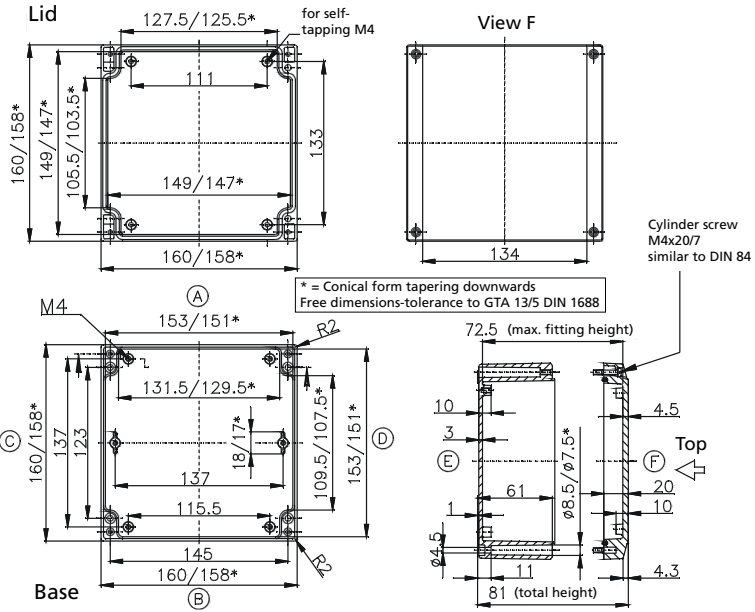
External dimensions: **160 x 160 x 81 mm**

Weight: **1120 g**

DIN rail length in mm	max. fitting length in mm	Mounting plate (thickness in mm)	External mounting brackets	External hinge* set	EMC version	SWB / SBG / SBGL corrosion protection	Allen lid screws	Silicone lid seal	Sealable lid screws in steel	Lid safety strip
TS 15/TS 35										
148	130	2	•	•	•	•	•	•	•	•

Maximum number of cable glands to DIN 50262*

M	Corner dim.	Side		PG	Corner dim.	Side	
		A/B	C/D			A/B	C/D
12	17,25	21	18	7	17,25	21	18
16	25,30	10	8	9	21,85	12	10
20	27,60	8	7	11	25,30	10	8
25	37,95	4	3	13,5	27,60	8	7
32	48,30	3	2	16	31,05	5	4
40	60,95			21	37,95	3	3
50	69,00			29	48,30	2	2
63	74,75			36	60,95		
				42	69,00		
				48	74,75		



Type: **04.16 24 08**

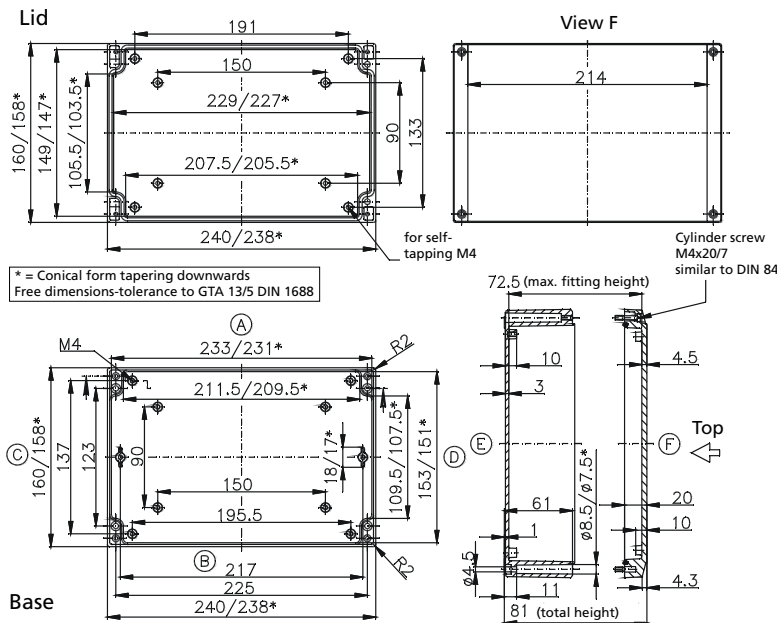
External dimensions: **160 x 240 x 81 mm**

Weight: **1900 g**

DIN rail length in mm	max. fitting length in mm	Mounting plate (thickness in mm)	External mounting brackets	External hinge* set	EMC version	SWB / SBG / SBGL corrosion protection	Allen lid screws	Silicone lid seal	Sealable lid screws in steel	Lid safety strip
TS 15/TS 35										
228	210	2	•	•	•	•	•	•	•	•

Maximum number of cable glands to DIN 50262*

M	Corner dim.	Side		PG	Corner dim.	Side	
		A/B	C/D			A/B	C/D
12	17,25	36	18	7	17,25	36	18
16	25,30	16	8	9	21,85	18	10
20	27,60	14	7	11	25,30	16	8
25	37,95	6	3	13,5	27,60	14	7
32	48,30	4	2	16	31,05	9	4
40	60,95			21	37,95	6	3
50	69,00			29	48,30	4	2
63	74,75			36	60,95		
				42	69,00		
				48	74,75		



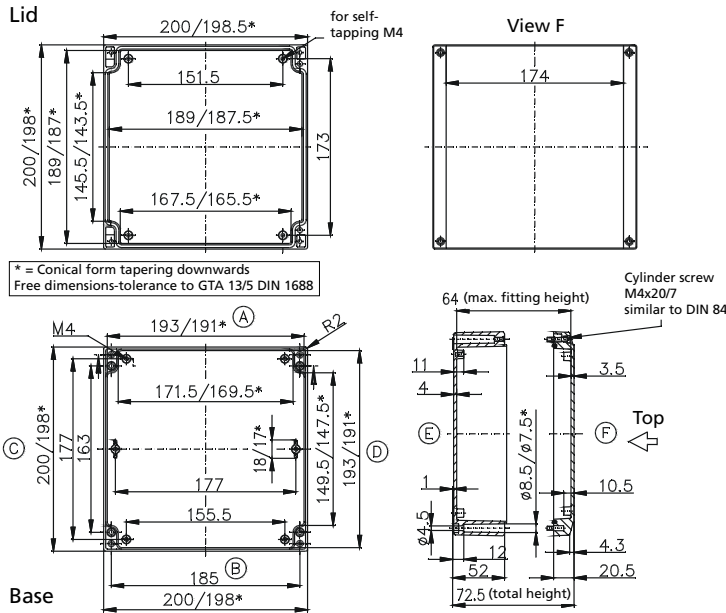
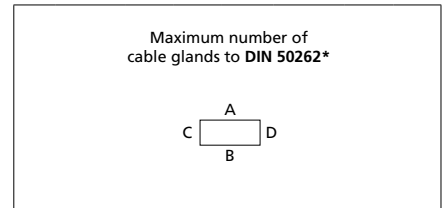
* Please quote mounting side

Type: **04.20 20 07**

External dimensions: **200 x 200 x 72 mm**

Weight: **1440 g**

DIN rail length in mm	max. fitting length in mm	Mounting plate (thickness in mm)	External mounting brackets	External hinge* set	EMC version	SWB / SBGL corrosion protection	Allen lid screws	Silicone lid seal	Sealable lid screws in steel	Lid safety strip
TS 15/TS 35										
188	170	2	•	•	•	•	•	•	•	•



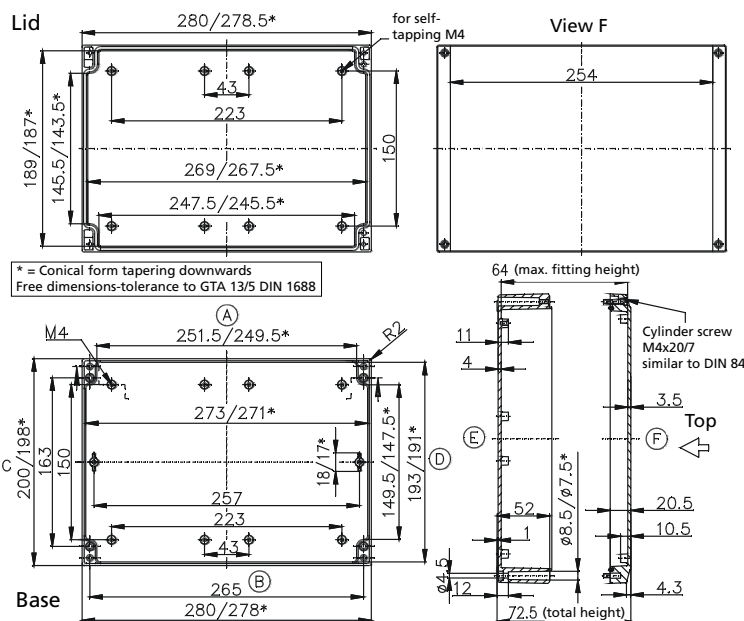
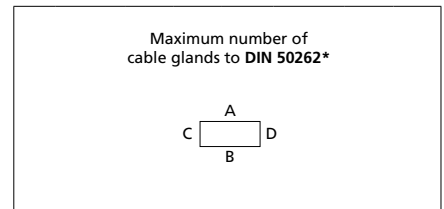
M	Corner dim.	Side		PG	Corner dim.	Side	
		A/B	C/D			A/B	C/D
12	17,25	20	17	7	17,25	20	17
16	25,30	9	8	9	21,85	14	13
20	27,60	7	6	11	25,30	8	7
25	37,95	4	4	13,5	27,60	7	6
32	48,30			16	31,05	6	5
40	60,95			21	37,95	4	4
50	69,00			29	48,30		
63	74,75			36	60,95		
				42	69,00		
				48	74,75		

Type: **04.20 28 07**

External dimensions: **200 x 280 x 72 mm**

Weight: **1920 g**

DIN rail length in mm	max. fitting length in mm	Mounting plate (thickness in mm)	External mounting brackets	External hinge* set	EMC version	SWB / SBGL corrosion protection	Allen lid screws	Silicone lid seal	Sealable lid screws in steel	Lid safety strip
TS 15/TS 35										
266	250	2	•	•	•	•	•	•	•	•



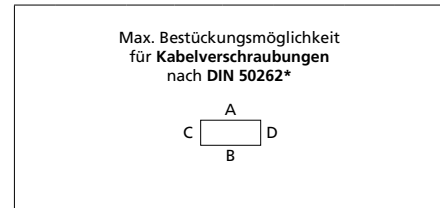
M	Corner dim.	Side		PG	Corner dim.	Side	
		A/B	C/D			A/B	C/D
12	17,25	29	17	7	17,25	29	17
16	25,30	13	8	9	21,85	22	13
20	27,60	10	6	11	25,30	12	7
25	37,95	6	4	13,5	27,60	10	6
32	48,30			16	31,05	8	6
40	60,95			21	37,95	6	4
50	69,00			29	48,30		
63	74,75			36	60,95		
				42	69,00		
				48	74,75		

* Please quote mounting side

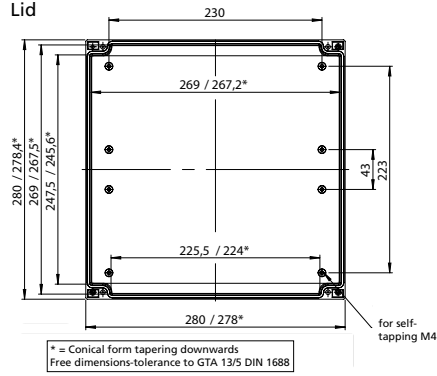
Type: **04.28 28 11**

External dimensions: **280 x 280 x 111 mm**

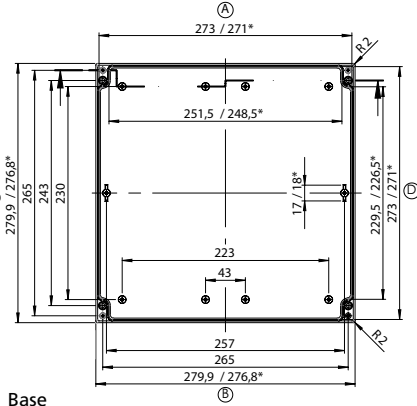
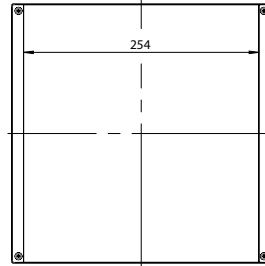
DIN rail length in mm	max. fitting length in mm	Mounting plate (thickness in mm)	External mounting brackets	External hinge* set	EMC version	SWB / SBG / SBGL corrosion protection	Allen lid screws	Silicone lid seal	Sealable lid screws in steel	Lid safety strip
			•	•	•	•	•	•	•	•



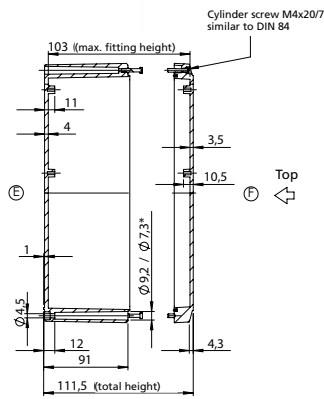
Lid



View F



Base



M	Corner dim.	Side		PG	Corner dim.	Side	
		A/B	C/D			A/B	C/D
12	17,25	70	65	7	17,25	70	65
16	25,30	30	27	9	21,85	44	40
20	27,60	27	24	11	25,30	30	27
25	37,95	12	12	13,5	27,60	27	24
32	48,30	8	7	16	31,05	21	20
40	60,95	4	4	21	37,95	12	12
50	69,00	4	3	29	48,30	7	6
63	74,75	3	3	36	60,95	4	4
				42	69,00	3	3
				48	74,75	3	3

* Please quote mounting side

Aluminium Standard



- Robust aluminium enclosure for mechanical engineering and automation technology
- Fixing options for DIN rails and mounting plates
- Usable in wide temperature area

Technical Data

Material:

DIN EN 1706 EN AC-AISI 12 (Fe)

Painting:

powder coating

Colour:

RAL 7001, silver grey

special colour on request

Ingress protection:

IP 66 to EN 60529

higher protection on request

Impact resistance:

7 Joule to EN 60079-0

Temperature range:

PU (polyurethane) seal (std.): -40°C to +90°C

CR (chloroprene) seal: -40°C to +100°C

VMQ(silicone) seal (optional): -60°C to +130°C

Included in delivery

Aluminium enclosure consisting of lid, seal incl. captive +/- stainless steel screws, base with 2 or 4 earthing screws

Aluminium Standard

Product range

Bestell-Nr.	W x L x H (mm)	TDIN rails for terminals		Earth rail, clamps	Mounting plate, thickness in mm ¹⁾	External mounting brackets set ²⁾	External aluminium hinge pair ^{3), 4)}	Internal hinge pair ^{2), 4)}	Turn bolt fastener ⁴⁾
		TS 15	TS 35						
Standard enclosure									
01.05 05 03	45 x 50 x 30								
01.06 06 03	64 x 58 x 34								
01.06 10 03	64 x 98 x 34	•							
01.06 15 03	64 x 150 x 34	•							
01.06 19 03	64 x 185 x 34	•							
01.08 08 06	80 x 75 x 57	•			1,5	•			
01.08 13 06	80 x 125 x 57	•			1,5	•			
01.08 18 06	80 x 175 x 57	•			1,5	•			
01.08 25 05	80 x 250 x 52	•				•			
01.10 10 08	100 x 100 x 81	•			1,5	•	•		
01.10 16 08	100 x 160 x 81	•			1,5	•	•		
01.10 20 08	100 x 200 x 81	•			1,5	•	•		
01.12 12 08	120 x 122 x 81	•	•	6	1,5	•	•		
01.12 12 09	120 x 122 x 91	•	•	6	1,5	•	•		
01.12 22 08	120 x 220 x 81	•	•	13	1,5	•	•		
01.12 22 09	120 x 220 x 91	•	•	13	1,5	•	•		
01.12 22 12	120 x 220 x 118	•	•	13	1,5	•	•		
01.12 36 08	120 x 360 x 81	•	•	23	1,5	•	•		
01.14 14 09	140 x 140 x 91	•	•	6	1,5	•	•		
01.14 20 09	140 x 200 x 91	•	•	11	1,5	•	•	•	
01.16 16 09	160 x 160 x 91	•	•	8	1,5	•	•	•	•
01.16 26 09	160 x 260 x 91	•	•	16	1,5	•	•	•	•
01.16 36 09	160 x 360 x 91	•	•	23	1,5	•	•	•	•
01.16 56 09	160 x 560 x 91	•	•	36	2,0	•	•	•	•
01.18 18 10	180 x 180 x 101	•	•	8	1,5	•	•	•	•
01.18 28 10	180 x 280 x 101	•	•	17	1,5	•	•	•	•
01.23 10 11	230 x 100 x 111	•	•	13	1,5	•	•	•	•
01.23 20 11	232 x 202 x 111	•	•	10	1,5	•	•	•	•
01.23 20 18	232 x 202 x 181	•	•	10	1,5	•	•	•	•
01.23 28 11	230 x 280 x 111	•	•	16	1,5	•	•	•	•
01.23 33 11	230 x 330 x 111	•	•	21	1,5	•	•	•	•
01.23 33 18	230 x 330 x 181	•	•	21	1,5	•	•	•	•
01.23 40 11	230 x 400 x 111	•	•	25	2	•	•	•	•
01.23 40 23	230 x 400 x 225	•	•	25	2	•	•	•	•
01.23 60 11	230 x 600 x 111	•	•	40	2	•	•	•	•
01.31 40 11	313 x 404 x 111	•	•	25	2	•	•	•	•
01.31 40 14	312 x 403 x 141	•	•	25	2	•	•	•	•
01.31 40 18	313 x 404 x 181	•	•	25	2	•	•	•	•
01.31 40 23	313 x 404 x 227	•	•	25	2	•	•	•	•
01.31 60 11	310 x 600 x 111	•	•	40	2	•	•	•	•
01.31 60 18	310 x 600 x 181	•	•	40	2	•	•	•	•
01.60 60 20	600 x 600 x 202	•			2,5				
Field enclosure with integrated external fastening									
01.06 12 00	64 x 115 x 34								
01.06 19 00	64 x 185 x 34								

¹⁾ galvanized sheet steel ²⁾ stainless steel ³⁾ diecast alu ⁴⁾ Please quote installation side A-D when ordering ⁵⁾ on request

Accessories

EMC screening (without type 01.60 60 20)

SWB/SBG/SBGL corrosion protection (RAL 5009)

Allen lid screws (without type 01.60 60 20)

Silicone lid seal up to +130°C

Sealable lid screws in steel (without type 01.60 60 20)

Aluminium Standard

Terminal mounting

	Phoenix												Earthing bar 2.5 mm ² with cable lug max. 10 mm ²	Earthing screw M4 with cable lug max. 6 mm ²	M6 with cable lug max. 35 mm ²	Earth connection as required						
	DIN rail TS 15	DIN rail TS 35	Voltage (V)	Current (A)	Nom. cross section (mm ²)	Terminal width (mm)	Terminal type	Type	MUT 2,5	MUT 4	UT 2,5	UT 4					UT 6	UT 10	UT 16	UT 35	UKH 50	UKH 95
	X	X																				
DIN rail TS 15	X	X																				
DIN rail TS 35			X	X	X	X	X	X	X	X	X	X	X									
Voltage (V)	500	500	1000	1000	1000	1000	1000	1000	1000	1000	1000	1000	1000									
Current (A)	24	32	24	32	41	57	76	125	150	232	309	415										
Nom. cross section (mm ²)	2,5	4	2,5	4	6	10	16	35	50	95	150	240										
Terminal width (mm)	5,2	6,2	5,2	6,2	8,2	10,2	12,2	16	20	25	31	36										
Terminal type																						
Type	MUT 2,5	MUT 4	UT 2,5	UT 4	UT 6	UT 10	UT 16	UT 35	UKH 50	UKH 95	UKH 150	UKH 240										
01.05 05 03																						
01.06 06 03																						1
01.06 10 03																						2
01.06 12 00																						2
01.06 15 03																						2
01.06 19 00																						2
01.06 19 03																						2
01.08 08 06	6	5																				2
01.08 13 06	12	9																				2
01.08 18 06	25	21																				2
01.08 25 05	40	33																				2
01.10 10 08	11	9	11	9	7																	2
01.10 16 08	23	19	23	19	14																	2
01.10 20 08	30	25	30	25	19																	2
01.12 12 08			15	13	10	8	6															6
01.12 12 09			15	13	10	8	6															6
01.12 22 08			34	29	21	17	14															13
01.12 22 09			34	29	21	17	14															13
01.12 22 12			34	29	21	17	14															13
01.12 36 08			61	51	39	31	26															23
01.14 14 09			19	16	12	9	8															6
01.14 20 09			30	25	19	15	13															11
01.16 16 09			23	19	14	11	9	7														8
01.16 26 09			42	35	26	21	18	14														16
01.16 26 16			42	35	26	21	18	14														16
01.16 36 09			61	51	39	31	26	21														23
01.16 56 09			100	83	63	50	42	34														36
01.18 18 10			26	22	17	13	11	9														8
01.18 28 10			46	38	29	23	19	15														17
01.23 10 11			36	30	23																	13
01.23 20 11			62	52	38	15	13	10														10
01.23 20 18			62	52	38	15	13	10	8													10
01.23 28 11			92	76	58	46	19	15														16
01.23 33 11			110	92	70	56	23	19														21
01.23 33 18			110	92	70	56	23	19	14													21
01.23 40 11			138	116	86	70	29	23														25
01.23 40 23			138	116	86	70	29	23	18													25
01.23 60 11			214	180	136	54	45	36														40
01.31 40 11			210	174	132	70	58	23														25
01.31 40 14			210	174	132	70	58	23	18	14												25
01.31 40 18			210	174	132	70	58	23	18	14												25
01.31 40 23			210	174	132	70	58	23	18	14												25
01.31 60 11			321	270	204	108	90	36														40
01.31 60 18			321	270	204	108	90	36	28	22												40
01.60 60 20			428	360	204	162	135	108	56	22	18	15	40									40
Field enclosure with external fixing																						
01.06 12 00																						
01.06 19 00																						

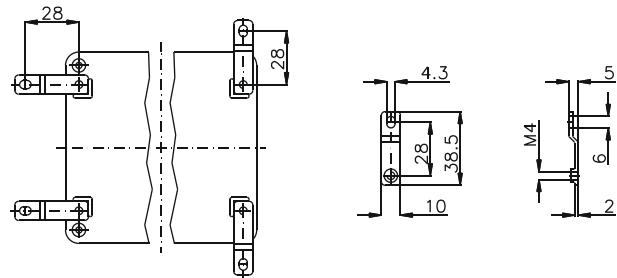
Accessories



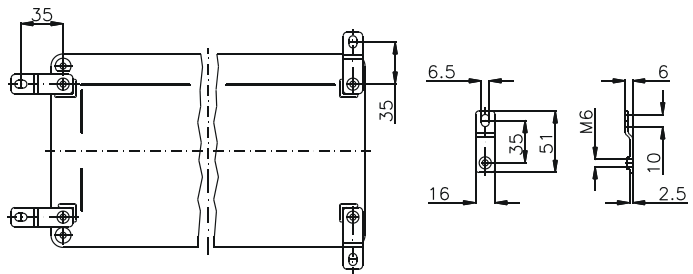
External brackets
set = 4 pcs

Order No.	for enclosure
10.03 11 01	01.08 08 06 - 01.10 20 08
10.03 11 02	01.12 12 08 - 01.31 60 18

Type 10.03 11 01

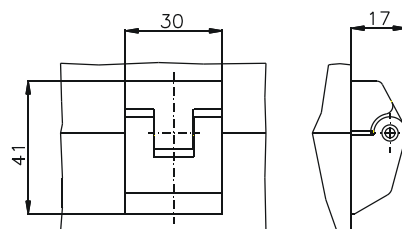


Type 10.03 11 02



External hinge
opening angle 150°
set = 2 pcs

Order No. **10.02 70 01**



Internal hinge
opening angle 95°
set = 2 pcs

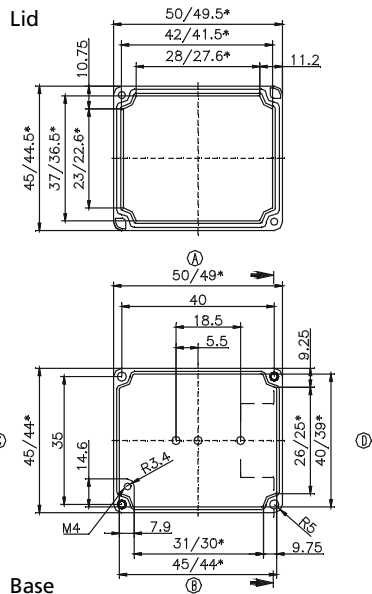
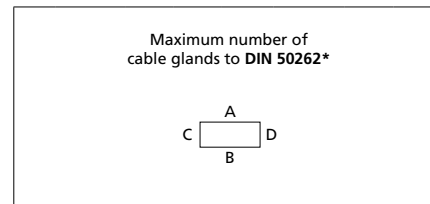
Order No. **10.02 20 01**

Type: **01.05 05 03**

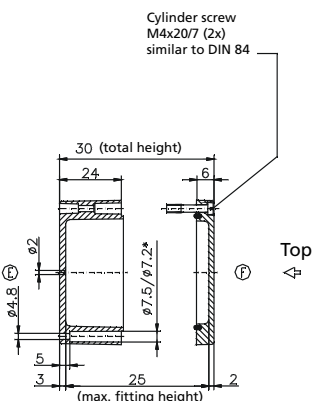
External dimensions: **45 x 50 x 30 mm**

Weight: **91 g**

DIN rail length in mm	max. fitting length in mm	Earthing rail clamp	Mounting plate (thickness in mm)	External mounting brackets	External hinge* set	EMC version	Internal hinge* set	SWB / SBG / SBGL Cor.protection	Allen lid screws	Silicone lid seal	Sealable lid screws in steel	Turn bolt fastener
						•		•	•	•	•	



* = Conical form tapering downwards
Free dimensions-tolerance to GTA 13/5 DIN 1688



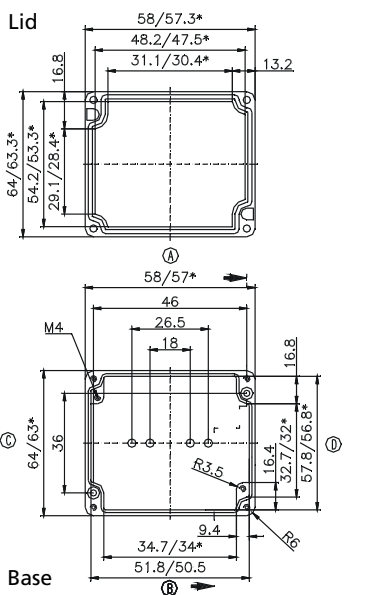
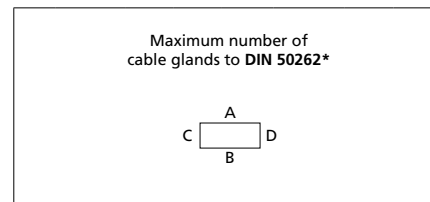
M	Corner dim.	Side		PG	Corner dim.	Side	
		A/B	C/D			A/B	C/D
12	17,25	2	1	7	17,25	2	1
16	25,30			9	21,85	1	
20	27,60			11	25,30		
25	37,95			13,5	27,60		
32	48,30			16	31,05		
40	60,95			21	37,95		
50	69,00			29	48,30		
63	74,75			36	60,95		
				42	69,00		
				48	74,75		

Type: **01.06 06 03**

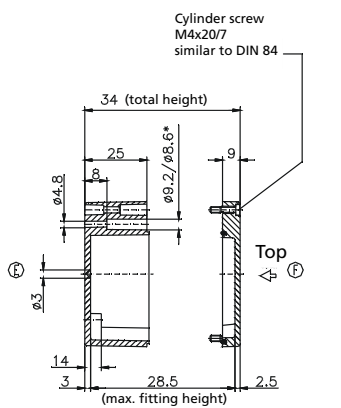
External dimensions: **64 x 58 x 34 mm**

Weight: **165 g**

DIN rail length in mm	max. fitting length in mm	Earthing rail clamp	Mounting plate (thickness in mm)	External mounting brackets	External hinge* set	EMC version	Internal hinge* set	SWB / SBG / SBGL Cor.protection	Allen lid screws	Silicone lid seal	Sealable lid screws in steel	Turn bolt fastener
						•		•	•	•	•	



* = Conical form tapering downwards
Free dimensions-tolerance to GTA 13/5 DIN 1688



M	Corner dim.	Side		PG	Corner dim.	Side	
		A/B	C/D			A/B	C/D
12	17,25	2	1	7	17,25	2	1
16	25,30			9	21,85	1	1
20	27,60			11	25,30		
25	37,95			13,5	27,60		
32	48,30			16	31,05		
40	60,95			21	37,95		
50	69,00			29	48,30		
63	74,75			36	60,95		
				42	69,00		
				48	74,75		

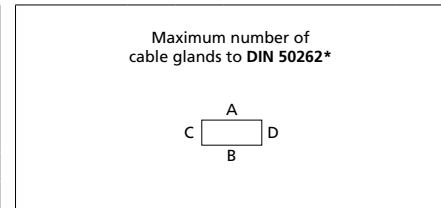
* Please quote mounting side

Type: **01.06 10 03**

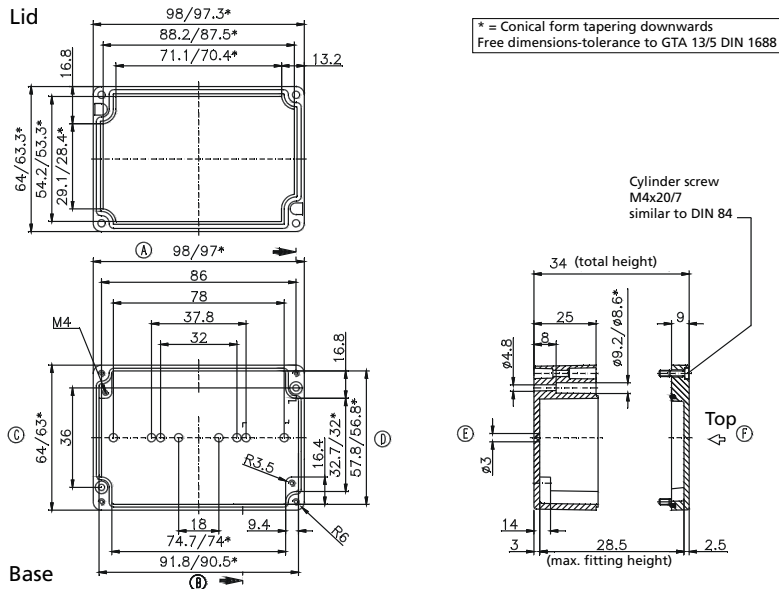
External dimensions: **64 x 98 x 34 mm**

Weight: **224 g**

DIN rail length in mm	max. fitting length in mm	Earthing rail clamp	Mounting plate (thickness in mm)	External mounting brackets	External hinge* set	EMC version	Internal hinge* set	SWB / SBG / SBGL Corr-protection	Allen lid screws	Silicone lid seal	Sealable lid screws in steel	Turn bolt fastener
TS 15						•		•	•	•	•	
87,5												



M	Corner dim.	Side		PG	Corner dim.	Side	
		A/B	C/D			A/B	C/D
12	17,25	4	1	7	17,25	4	1
16	25,30			9	21,85	3	1
20	27,60			11	25,30		
25	37,95			13,5	27,60		
32	48,30			16	31,05		
40	60,95			21	37,95		
50	69,00			29	48,30		
63	74,75			36	60,95		
				42	69,00		
				48	74,75		

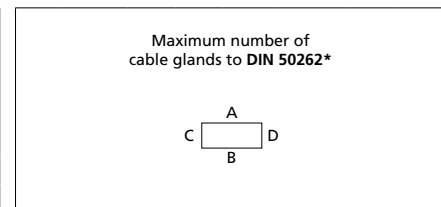


Type: **01.06 12 00**

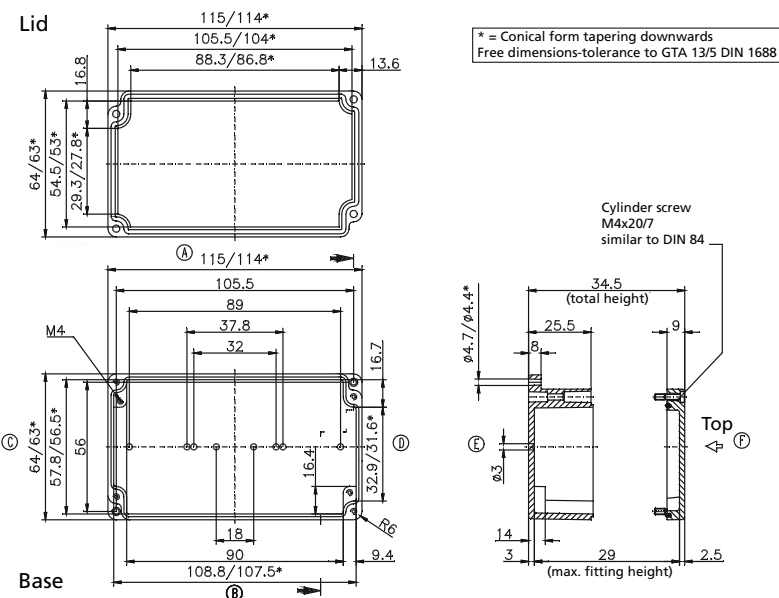
External dimensions: **64 x 115 x 34 mm**

Weight: **290 g**

DIN rail length in mm	max. fitting length in mm	Earthing rail clamp	Mounting plate (thickness in mm)	External mounting brackets	External hinge* set	EMC version	Internal hinge* set	SWB / SBG / SBGL Corr-protection	Allen lid screws	Silicone lid seal	Sealable lid screws in steel	Turn bolt fastener
						•		•	•	•	•	



M	Corner dim.	Side		PG	Corner dim.	Side	
		A/B	C/D			A/B	C/D
12	17,25	5	1	7	17,25	5	1
16	25,30			9	21,85	4	1
20	27,60			11	25,30		
25	37,95			13,5	27,60		
32	48,30			16	31,05		
40	60,95			21	37,95		
50	69,00			29	48,30		
63	74,75			36	60,95		
				42	69,00		
				48	74,75		



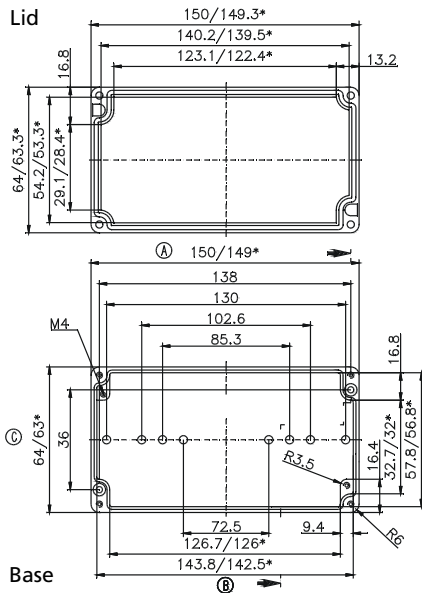
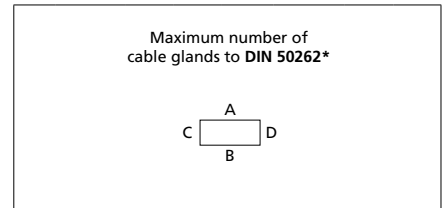
* Please quote mounting side

Type: **01.06 15 03**

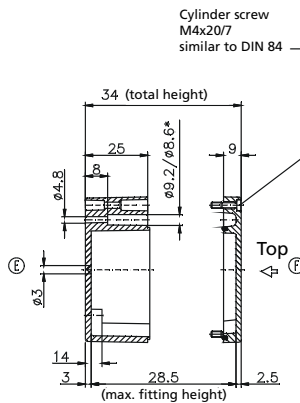
External dimensions: **64 x 150 x 34 mm**

Weight: **316 g**

DIN rail length in mm	max. fitting length in mm	Earthing rail clamp	Mounting plate (thickness in mm)	External mounting brackets	External hinge* set	EMC version	Internal hinge* set	SWB / SBG / SBGL Cor.protection	Allen lid screws	Silicone lid seal	Sealable lid screws in steel	Turn bolt fastener
TS 15												
139						•		•	•	•	•	



* = Conical form tapering downwards
Free dimensions-tolerance to GTA 13/5 DIN 1688



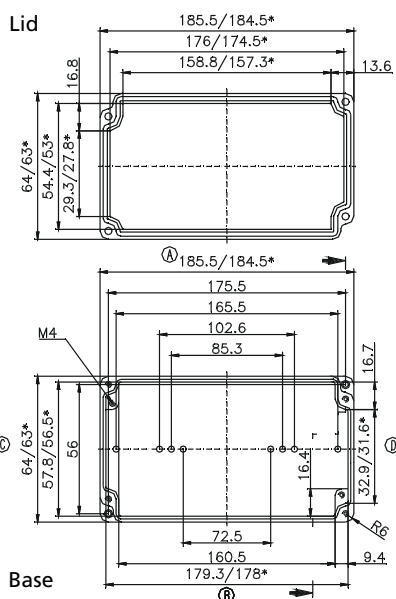
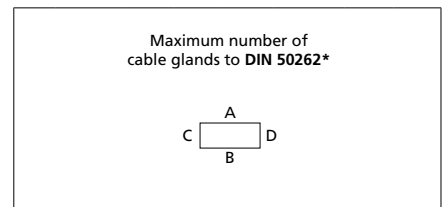
M	Corner dim.	Side		PG	Corner dim.	Side	
		A/B	C/D			A/B	C/D
12	17,25	8	1	7	17,25	8	1
16	25,30			9	21,85	6	1
20	27,60			11	25,30		
25	37,95			13,5	27,60		
32	48,30			16	31,05		
40	60,95			21	37,95		
50	69,00			29	48,30		
63	74,75			36	60,95		
				42	69,00		
				48	74,75		

Type: **01.06 19 00**

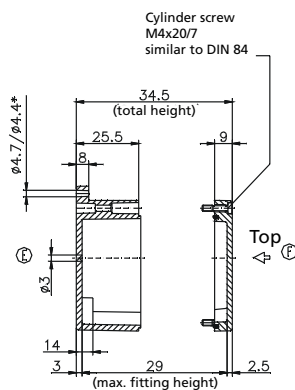
External dimensions: **64 x 185 x 34 mm**

Weight: **420 g**

DIN rail length in mm	max. fitting length in mm	Earthing rail clamp	Mounting plate (thickness in mm)	External mounting brackets	External hinge* set	EMC version	Internal hinge* set	SWB / SBG / SBGL Cor.protection	Allen lid screws	Silicone lid seal	Sealable lid screws in steel	Turn bolt fastener
TS 15												
174						•		•	•	•	•	



* = Conical form tapering downwards
Free dimensions-tolerance to GTA 13/5 DIN 1688



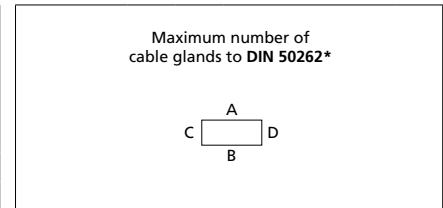
M	Corner dim.	Side		PG	Corner dim.	Side	
		A/B	C/D			A/B	C/D
12	17,25	10	1	7	17,25	10	1
16	25,30			9	21,85	7	1
20	27,60			11	25,30		
25	37,95			13,5	27,60		
32	48,30			16	31,05		
40	60,95			21	37,95		
50	69,00			29	48,30		
63	74,75			36	60,95		
				42	69,00		
				48	74,75		

Type: **01.06 19 03**

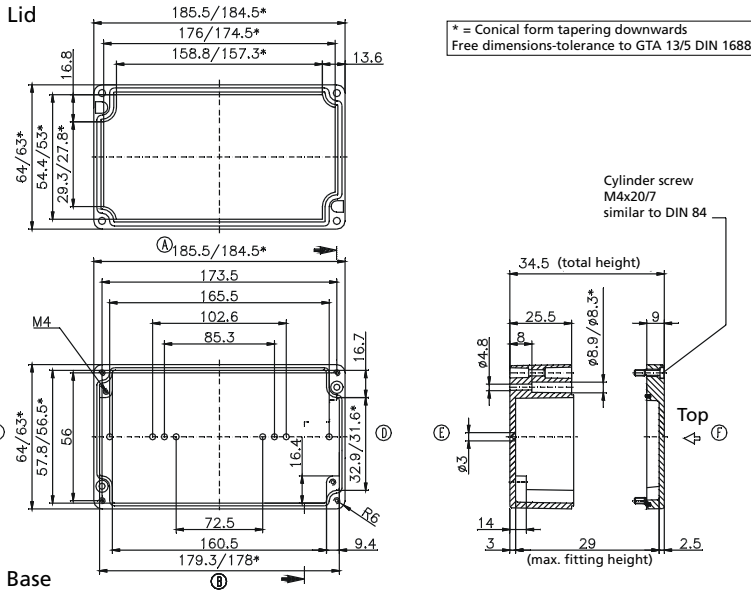
External dimensions: **64 x 185 x 34 mm**

Weight: **500 g**

DIN rail length in mm	max. fitting length in mm	Earthing rail clamp	Mounting plate (thickness in mm)	External mounting brackets	External hinge* set	EMC version	Internal hinge* set	SWB / SBG / SBGL Corr-protection	Allen lid screws	Silicone lid seal	Sealable lid screws in steel	Turn bolt fastener
TS 15												
174						•		•	•	•	•	



M	Corner dim.	Side		PG	Corner dim.	Side	
		A/B	C/D			A/B	C/D
12	17,25	10		7	17,25	10	
16	25,30			9	21,85		
20	27,60			11	25,30		
25	37,95			13,5	27,60		
32	48,30			16	31,05		
40	60,95			21	37,95		
50	69,00			29	48,30		
63	74,75			36	60,95		
				42	69,00		
				48	74,75		

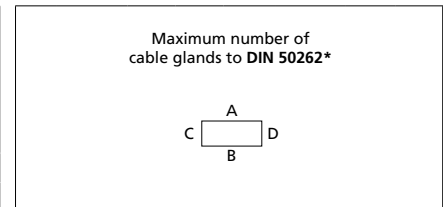


Type: **01.08 08 06**

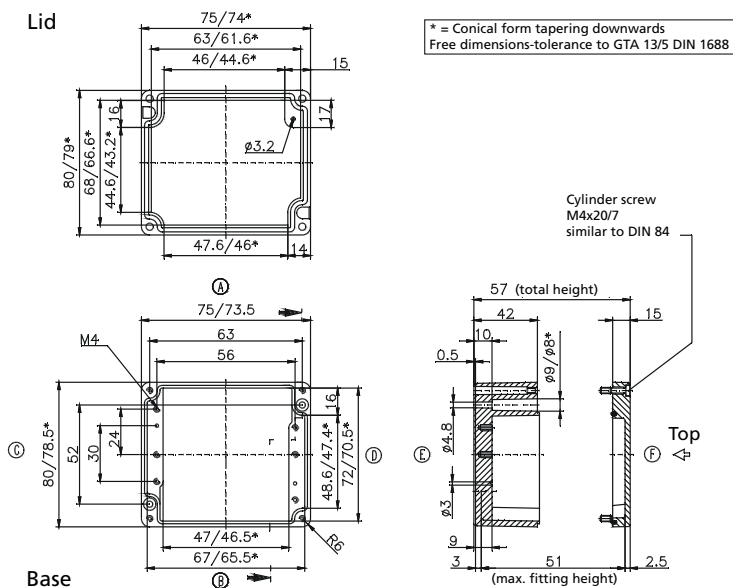
External dimensions: **80 x 75 x 57 mm**

Weight: **360 g**

DIN rail length in mm	max. fitting length in mm	Earthing rail clamp	Mounting plate (thickness in mm)	External mounting brackets	External hinge* set	EMC version	Internal hinge* set	SWB / SBG / SBGL Corr-protection	Allen lid screws	Silicone lid seal	Sealable lid screws in steel	Turn bolt fastener
TS 15												
63	46		1,5	•		•		•	•	•	•	



M	Corner dim.	Side		PG	Corner dim.	Side	
		A/B	C/D			A/B	C/D
12	17,25	6	5	7	17,25	6	5
16	25,30	2	2	9	21,85	4	2
20	27,60	2	2	11	25,30	2	2
25	37,95	1		13,5	27,60	2	2
32	48,30			16	31,05	1	1
40	60,95			21	37,95	1	
50	69,00			29	48,30		
63	74,75			36	60,95		
				42	69,00		
				48	74,75		



* Please quote mounting side

Type: **01.08 13 06**

External dimensions: **80 x 125 x 57 mm**

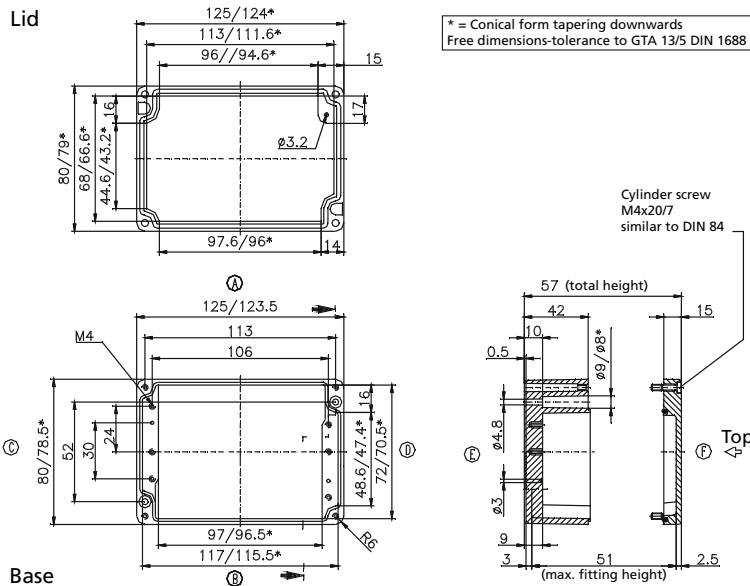
Weight: **500 g**

DIN rail length in mm	max. fitting length in mm	Earthing rail clamp	Mounting plate (thickness in mm)	External mounting brackets	External hinge* set	EMC version	Internal hinge* set	SWB / SBGL Cor.protection	Allen lid screws	Silicone lid seal	Sealable lid screws in steel	Turn bolt fastener
TS 15												
113	96		1,5	•		•		•	•	•	•	

Maximum number of cable glands to DIN 50262*

M	Corner dim.	Side		PG	Corner dim.	Side	
		A/B	C/D			A/B	C/D
12	17,25	12	5	7	17,25	12	5
16	25,30	5	2	9	21,85	8	2
20	27,60	4	2	11	25,30	5	2
25	37,95	3		13,5	27,60	4	2
32	48,30			16	31,05	3	1
40	60,95			21	37,95	2	
50	69,00			29	48,30		
63	74,75			36	60,95		
				42	69,00		
				48	74,75		

Lid



Base

Type: **01.08 18 06**

External dimensions: **80 x 175 x 57 mm**

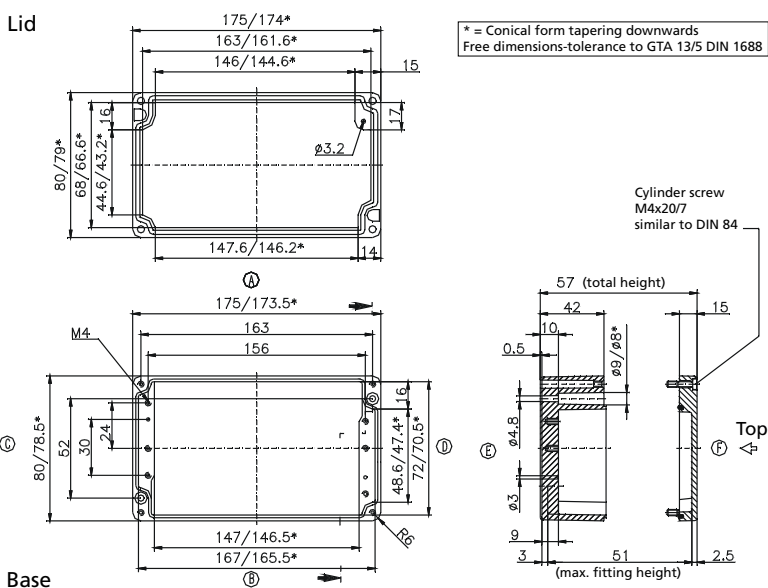
Weight: **630 g**

DIN rail length in mm	max. fitting length in mm	Earthing rail clamp	Mounting plate (thickness in mm)	External mounting brackets	External hinge* set	EMC version	Internal hinge* set	SWB / SBGL Cor.protection	Allen lid screws	Silicone lid seal	Sealable lid screws in steel	Turn bolt fastener
TS 15												
163	146		1,5	•		•		•	•	•	•	

Maximum number of cable glands to DIN 50262*

M	Corner dim.	Side		PG	Corner dim.	Side	
		A/B	C/D			A/B	C/D
12	17,25	17	5	7	17,25	17	5
16	25,30	7	2	9	21,85	11	2
20	27,60	6	2	11	25,30	7	2
25	37,95	4		13,5	27,60	6	2
32	48,30			16	31,05	5	1
40	60,95			21	37,95	4	
50	69,00			29	48,30		
63	74,75			36	60,95		
				42	69,00		
				48	74,75		

Lid



Base

* Please quote mounting side

Type: **01.08 25 05**

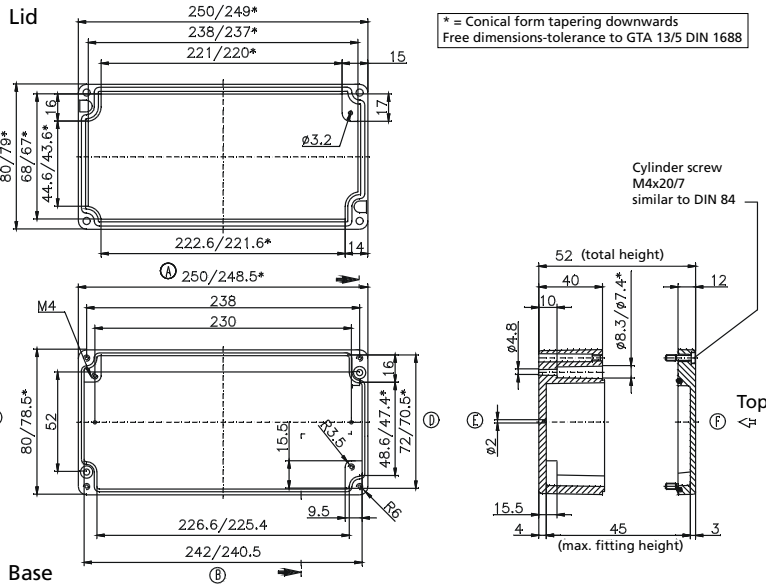
External dimensions: **80 x 250 x 52 mm**

Weight: **818 g**

DIN rail length in mm	max. fitting length in mm	Earthing rail clamp	Mounting plate (thickness in mm)	External mounting brackets	External hinge* set	EMC version	Internal hinge* set	SWB / SBG / SBGL Corr-protection	Allen lid screws	Silicone lid seal	Sealable lid screws in steel	Turn bolt fastener
TS 15												
238	220			•		•		•	•	•	•	

Maximum number of cable glands to DIN 50262*

M	Corner dim.	Side		PG	Corner dim.	Side	
		A/B	C/D			A/B	C/D
12	17,25	26	6	7	17,25	26	6
16	25,30	10	2	9	21,85	17	3
20	27,60	9	2	11	25,30	10	2
25	37,95	6	1	13,5	27,60	9	2
32	48,30			16	31,05	7	1
40	60,95			21	37,95	4	1
50	69,00			29	48,30		
63	74,75			36	60,95		
				42	69,00		
				48	74,75		



Type: **01.10 10 08**

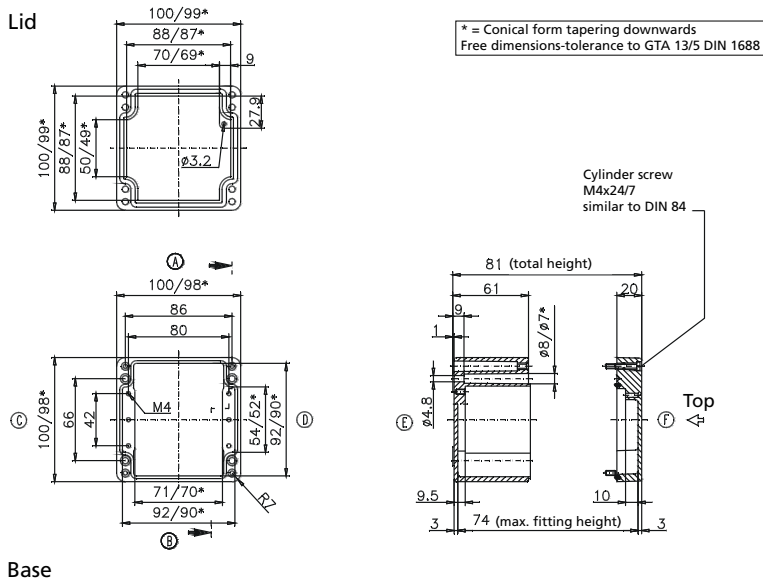
External dimensions: **100 x 100 x 81 mm**

Weight: **800 g**

DIN rail length in mm	max. fitting length in mm	Earthing rail clamp	Mounting plate (thickness in mm)	External mounting brackets	External hinge* set	EMC version	Internal hinge* set	SWB / SBG / SBGL Corr-protection	Allen lid screws	Silicone lid seal	Sealable lid screws in steel	Turn bolt fastener
TS 15												
87,5	70		1,5	•	•	•		•	•	•	•	

Maximum number of cable glands to DIN 50262*

M	Corner dim.	Side		PG	Corner dim.	Side	
		A/B	C/D			A/B	C/D
12	17,25	12	9	7	17,25	12	9
16	25,30	6	4	9	21,85	8	5
20	27,60	5	3	11	25,30	5	4
25	37,95	2	1	13,5	27,60	5	3
32	48,30	1	1	16	31,05	4	2
40	60,95			21	37,95	2	1
50	69,00			29	48,30	1	1
63	74,75			36	60,95		
				42	69,00		
				48	74,75		



* Please quote mounting side

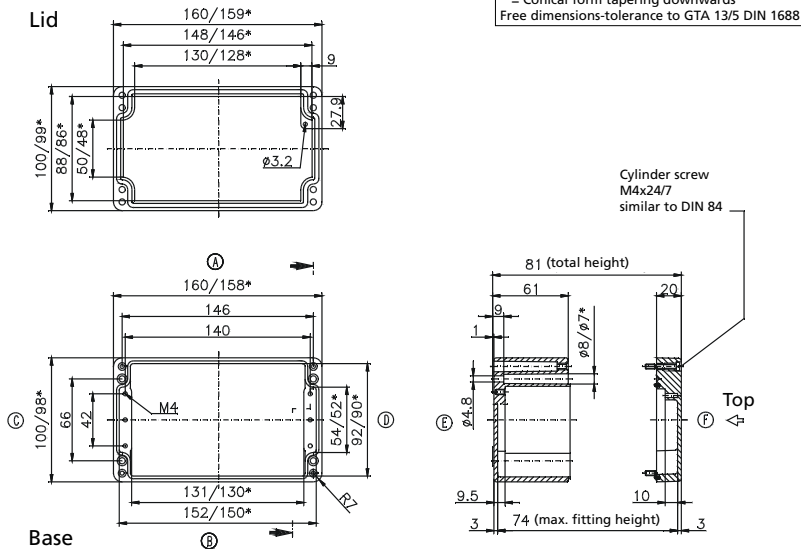
Type: **01.10 16 08**

External dimensions: **100 x 160 x 81 mm**

Weight: **870 g**

DIN rail length in mm	max. fitting length in mm	Earthing rail clamp	Mounting plate (thickness in mm)	External mounting brackets	External hinge* set	EMC version	Internal hinge* set	SWB / SBG / SBGL Cor.protection	Allen lid screws	Silicone lid seal	Sealable lid screws in steel	Turn bolt fastener
TS 15												
148	130		1,5	•	•	•		•	•	•	•	

Maximum number of cable glands to DIN 50262*



M	Corner dim.	Side		PG	Corner dim.	Side	
		A/B	C/D			A/B	C/D
12	17,25	24	9	7	17,25	22	8
16	25,30	11	4	9	21,85	17	5
20	27,60	10	3	11	25,30	11	4
25	37,95	4	1	13,5	27,60	10	3
32	48,30	3	1	16	31,05	8	2
40	60,95			21	37,95	4	1
50	69,00			29	48,30	3	1
63	74,75			36	60,95		
				42	69,00		
				48	74,75		

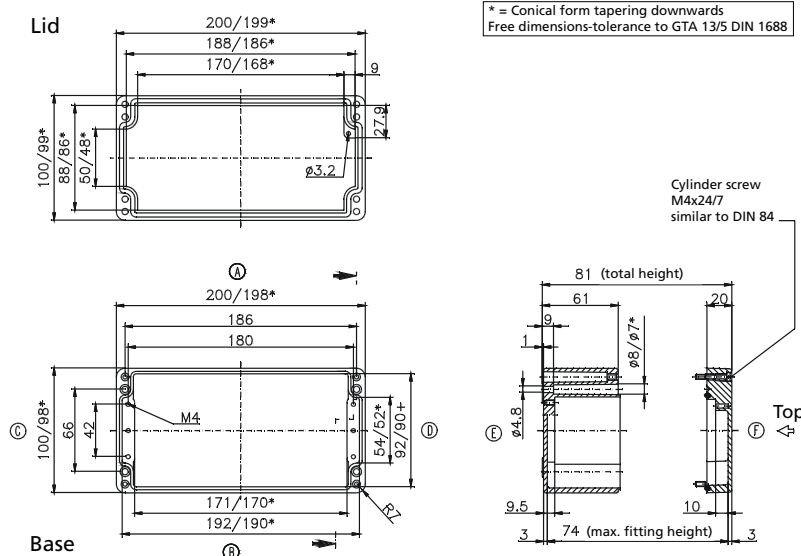
Type: **01.10 20 08**

External dimensions: **100 x 200 x 81 mm**

Weight: **960 g**

DIN rail length in mm	max. fitting length in mm	Earthing rail clamp	Mounting plate (thickness in mm)	External mounting brackets	External hinge* set	EMC version	Internal hinge* set	SWB / SBG / SBGL Cor.protection	Allen lid screws	Silicone lid seal	Sealable lid screws in steel	Turn bolt fastener
TS 15												
188	170		1,5	•	•	•		•	•	•	•	

Maximum number of cable glands to DIN 50262*



M	Corner dim.	Side		PG	Corner dim.	Side	
		A/B	C/D			A/B	C/D
12	17,25	32	9	7	17,25	30	9
16	25,30	14	4	9	21,85	21	5
20	27,60	12	3	11	25,30	12	4
25	37,95	5	1	13,5	27,60	12	3
32	48,30	3	1	16	31,05	10	2
40	60,95			21	37,95	5	1
50	69,00			29	48,30	3	1
63	74,75			36	60,95		
				42	69,00		
				48	74,75		

* Please quote mounting side

Type: **01.12 12 08**

External dimensions: **120 x 122 x 81 mm**

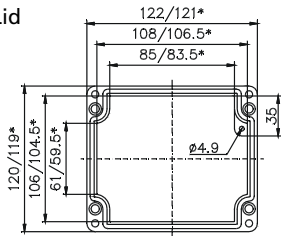
Weight: **1044 g**

DIN rail length in mm	max. fitting length in mm	Earthing rail clamp	Mounting plate (thickness in mm)	External mounting brackets	External hinge* set	EMC version	Internal hinge* set	SWB / SBG / SBGL Cor.-protection	Allen lid screws	Silicone lid seal	Sealable lid screws in steel	Turn bolt fastener
TS 35												
107	85	6	1,5	•	•	•		•	•	•	•	

Maximum number of cable glands to DIN 50262*

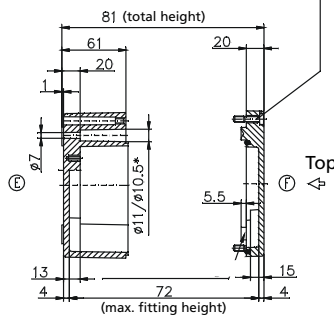
M	Corner dim.	Side		PG	Corner dim.	Side	
		A/B	C/D			A/B	C/D
12	17,25	16	11	7	17,25	16	11
16	25,30	8	5	9	21,85	11	6
20	27,60	6	4	11	25,30	6	4
25	37,95	3	2	13,5	27,60	6	3
32	48,30	2	1	16	31,05	5	2
40	60,95			21	37,95	2	2
50	69,00			29	48,30	2	1
63	74,75			36	60,95		
				42	69,00		
				48	74,75		

Lid

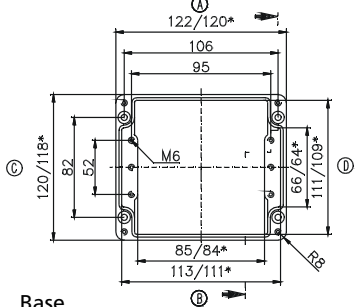


* = Conical form tapering downwards
Free dimensions-tolerance to GTA 13/5 DIN 1688

Cylinder screw M6x25/10 similar to DIN 84



Base



Type: **01.12 12 09**

External dimensions: **120 x 122 x 91 mm**

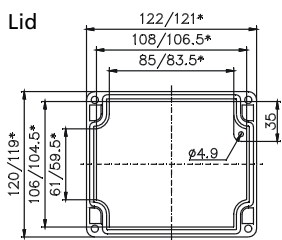
Weight: **1170 g**

DIN rail length in mm	max. fitting length in mm	Earthing rail clamp	Mounting plate (thickness in mm)	External mounting brackets	External hinge* set	EMC version	Internal hinge* set	SWB / SBG / SBGL Cor.-protection	Allen lid screws	Silicone lid seal	Sealable lid screws in steel	Turn bolt fastener
TS 35												
107	85	6	1,5	•	•	•		•	•	•	•	

Maximum number of cable glands to DIN 50262*

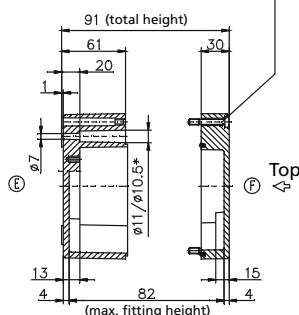
M	Corner dim.	Side		PG	Corner dim.	Side	
		A/B	C/D			A/B	C/D
12	17,25	16	11	7	17,25	16	11
16	25,30	8	5	9	21,85	11	6
20	27,60	6	4	11	25,30	6	4
25	37,95	3	2	13,5	27,60	6	3
32	48,30	2	1	16	31,05	5	2
40	60,95			21	37,95	2	2
50	69,00			29	48,30	2	1
63	74,75			36	60,95		
				42	69,00		
				48	74,75		

Lid

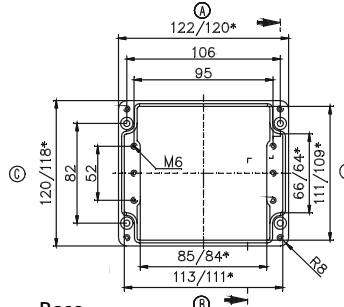


* = Conical form tapering downwards
Free dimensions-tolerance to GTA 13/5 DIN 1688

Cylinder screw M6x25/10 similar to DIN 84



Base



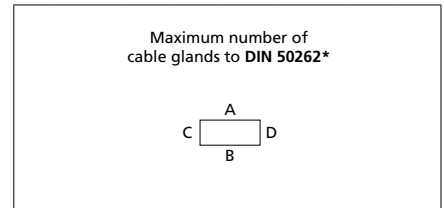
* Please quote mounting side

Type: **01.12 22 08**

External dimensions: **120 x 220 x 81 mm**

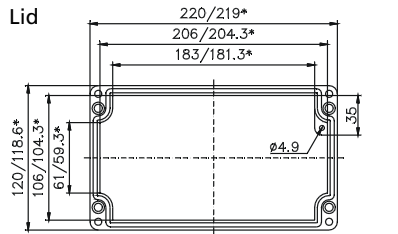
Weight: **1445 g**

DIN rail length in mm	max. fitting length in mm	Earthing rail clamp	Mounting plate (thickness in mm)	External mounting brackets	External hinge* set	EMC version	Internal hinge* set	SWB / SBG / SBGL Cor.protection	Allen lid screws	Silicone lid seal	Sealable lid screws in steel	Turn bolt fastener
TS 35												
205	183	13	1,5	•	•	•		•	•	•	•	

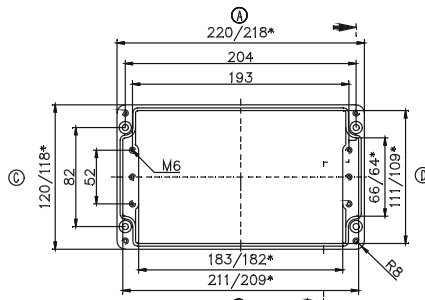


M	Corner dim.	Side		PG	Corner dim.	Side	
		A/B	C/D			A/B	C/D
12	17,25	34	11	7	17,25	34	11
16	25,30	15	6	9	21,85	24	6
20	27,60	14	4	11	25,30	15	4
25	37,95	6	2	13,5	27,60	14	4
32	48,30	4	1	16	31,05	11	2
40	60,95			21	37,95	6	2
50	69,00			29	48,30	4	1
63	74,75			36	60,95		
				42	69,00		
				48	74,75		

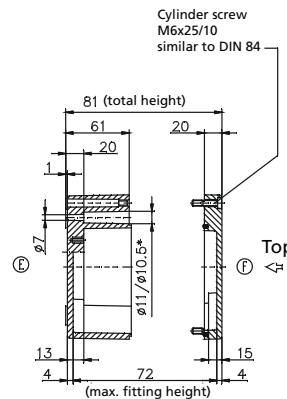
Lid



* = Conical form tapering downwards
Free dimensions-tolerance to GTA 13/5 DIN 1688



Base

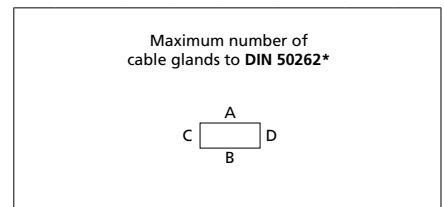


Type: **01.12 22 09**

External dimensions: **120 x 220 x 91 mm**

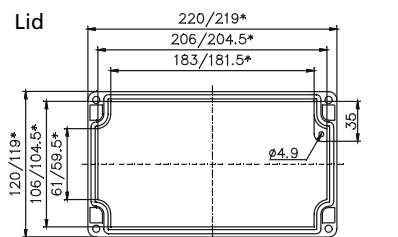
Weight: **1800 g**

DIN rail length in mm	max. fitting length in mm	Earthing rail clamp	Mounting plate (thickness in mm)	External mounting brackets	External hinge* set	EMC version	Internal hinge* set	SWB / SBG / SBGL Cor.protection	Allen lid screws	Silicone lid seal	Sealable lid screws in steel	Turn bolt fastener
TS 35												
205	183	13	1,5	•	•	•		•	•	•	•	

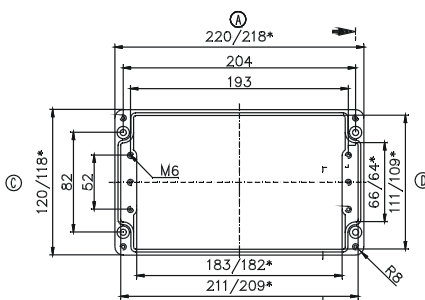


M	Corner dim.	Side		PG	Corner dim.	Side	
		A/B	C/D			A/B	C/D
12	17,25	34	11	7	17,25	34	11
16	25,30	15	6	9	21,85	24	6
20	27,60	14	4	11	25,30	15	4
25	37,95	6	2	13,5	27,60	14	4
32	48,30	4	1	16	31,05	11	2
40	60,95			21	37,95	6	2
50	69,00			29	48,30	4	1
63	74,75			36	60,95		
				42	69,00		
				48	74,75		

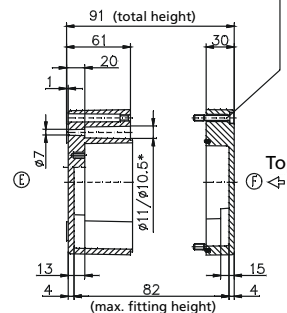
Lid



* = Conical form tapering downwards
Free dimensions-tolerance to GTA 13/5 DIN 1688



Base



* Please quote mounting side

Type: **01.12 22 12**

External dimensions: **120 x 220 x 118 mm**

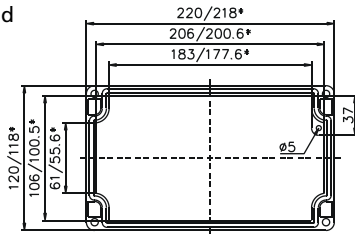
Weight: **1410 g**

DIN rail length in mm	max. fitting length in mm	Earthing rail clamp	Mounting plate (thickness in mm)	External mounting brackets	External hinge* set	EMC version	Internal hinge* set	SWB / SBG / SBGL Corr-protection	Allen lid screws	Silicone lid seal	Sealable lid screws in steel	Turn bolt fastener
TS 35												
208	183	13	1,5	•	•	•		•	•	•	•	

Maximum number of cable glands to DIN 50262*

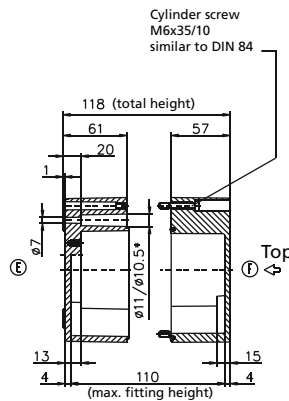
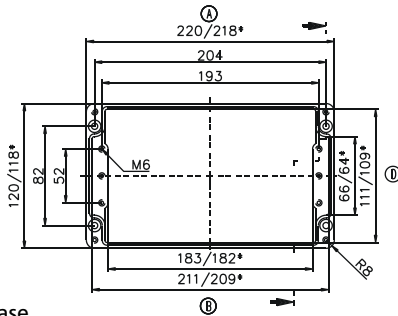
M	Corner dim.	Side		PG	Corner dim.	Side	
		A/B	C/D			A/B	C/D
12	17,25	34	11	7	17,25	34	11
16	25,30	15	6	9	21,85	24	6
20	27,60	14	4	11	25,30	15	4
25	37,95	6	2	13,5	27,60	14	4
32	48,30	4	1	16	31,05	11	2
40	60,95			21	37,95	6	2
50	69,00			29	48,30	4	1
63	74,75			36	60,95		
				42	69,00		
				48	74,75		

Lid



* = Conical form tapering downwards
Free dimensions-tolerance to GTA 13/5 DIN 1688

Base



Type: **01.12 36 08**

External dimensions: **120 x 360 x 81 mm**

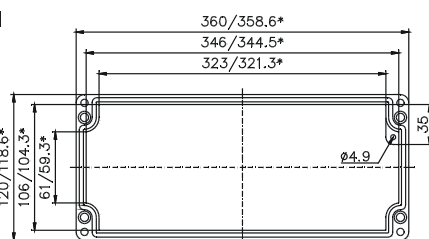
Weight: **2100 g**

DIN rail length in mm	max. fitting length in mm	Earthing rail clamp	Mounting plate (thickness in mm)	External mounting brackets	External hinge* set	EMC version	Internal hinge* set	SWB / SBG / SBGL Corr-protection	Allen lid screws	Silicone lid seal	Sealable lid screws in steel	Turn bolt fastener
TS 35												
343	323	23	1,5	•	•	•		•	•	•	•	•

Maximum number of cable glands to DIN 50262*

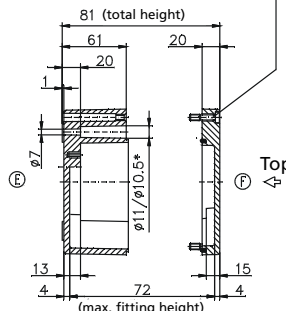
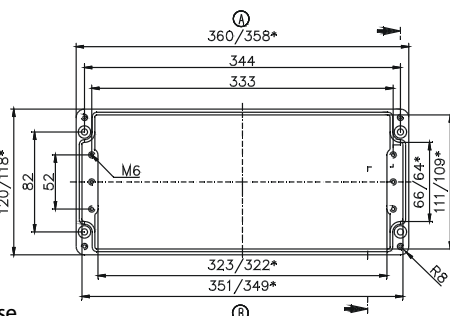
M	Corner dim.	Side		PG	Corner dim.	Side	
		A/B	C/D			A/B	C/D
12	17,25	58	11	7	17,25	58	11
16	25,30	26	5	9	21,85	41	6
20	27,60	24	4	11	25,30	26	4
25	37,95	10	2	13,5	27,60	24	3
32	48,30	7	1	16	31,05	20	2
40	60,95			21	37,95	10	2
50	69,00			29	48,30	7	1
63	74,75			36	60,95		
				42	69,00		
				48	74,75		

Lid



* = Conical form tapering downwards
Free dimensions-tolerance to GTA 13/5 DIN 1688

Base



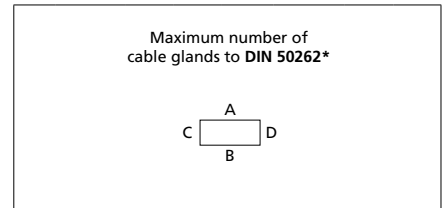
* Please quote mounting side

Type: **01.14 14 09**

External dimensions: **140 x 140 x 91 mm**

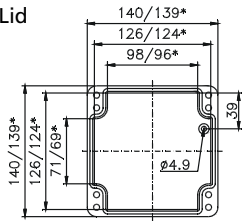
Weight: **1470 g**

DIN rail length in mm	max. fitting length in mm	Earthing rail clamp	Mounting plate (thickness in mm)	External mounting brackets	External hinge* set	EMC version	Internal hinge* set	SWB / SBG / SBGL Cor.protection	Allen lid screws	Silicone lid seal	Sealable lid screws in steel	Turn bolt fastener
TS 35												
126	100	6	1,5	•	•	•		•	•	•	•	

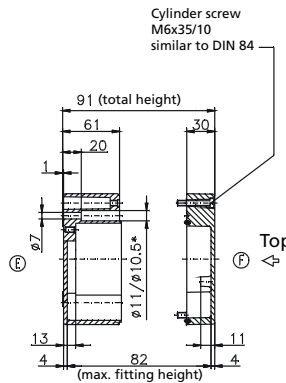
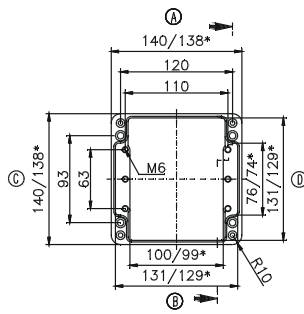


M	Corner dim.	Side		PG	Corner dim.	Side	
		A/B	C/D			A/B	C/D
12	17,25	18	12	7	17,25	18	12
16	25,30	8	6	9	21,85	12	6
20	27,60	8	4	11	25,30	8	5
25	37,95	3	2	13,5	27,60	8	4
32	48,30	2	1	16	31,05	6	3
40	60,95			21	37,95	3	2
50	69,00			29	48,30	2	1
63	74,75			36	60,95		
				42	69,00		
				48	74,75		

Lid



* = Conical form tapering downwards
Free dimensions-tolerance to GTA 13/5 DIN 1688



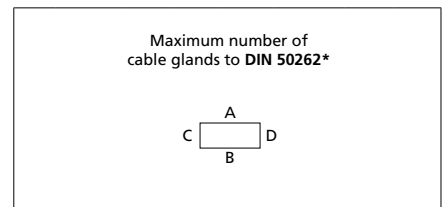
Base

Type: **01.14 20 09**

External dimensions: **140 x 200 x 91 mm**

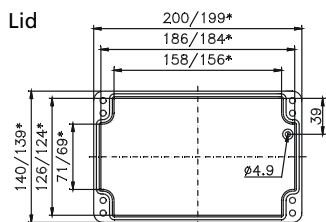
Weight: **1760 g**

DIN rail length in mm	max. fitting length in mm	Earthing rail clamp	Mounting plate (thickness in mm)	External mounting brackets	External hinge* set	EMC version	Internal hinge* set	SWB / SBG / SBGL Cor.protection	Allen lid screws	Silicone lid seal	Sealable lid screws in steel	Turn bolt fastener
TS 35												
186	160	11	1,5	•	•	•		•	•	•	•	•

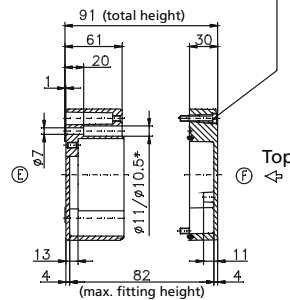
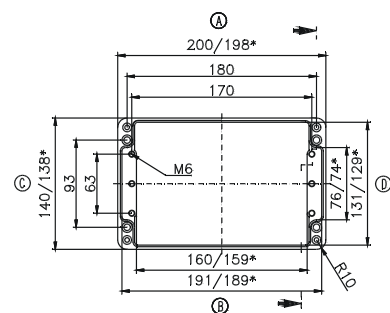


M	Corner dim.	Side		PG	Corner dim.	Side	
		A/B	C/D			A/B	C/D
12	17,25	28	12	7	17,25	28	12
16	25,30	12	6	9	21,85	20	6
20	27,60	12	5	11	25,30	12	6
25	37,95	5	2	13,5	27,60	12	4
32	48,30	3	1	16	31,05	10	3
40	60,95			21	37,95	5	2
50	69,00			29	48,30	3	1
63	74,75			36	60,95		
				42	69,00		
				48	74,75		

Lid



* = Conical form tapering downwards
Free dimensions-tolerance to GTA 13/5 DIN 1688



Base

* Please quote mounting side

Type: **01.16 16 09**

External dimensions: **160 x 160 x 91 mm**

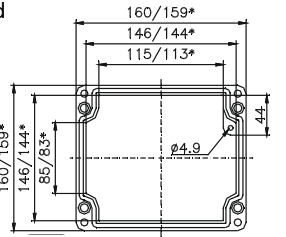
Weight: **1760 g**

DIN rail length in mm	max. fitting length in mm	Earthing rail clamp	Mounting plate (thickness in mm)	External mounting brackets	External hinge* set	EMC version	Internal hinge* set	SWB / SBG / SBGL Cor.-protection	Allen lid screws	Silicone lid seal	Sealable lid screws in steel	Turn bolt fastener
TS 35												
144	120	8	1,5	•	•	•	•	•	•	•	•	•

Maximum number of cable glands to DIN 50262*

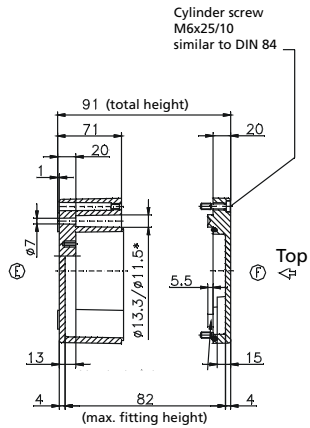
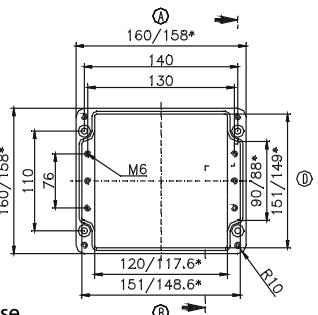
M	Corner dim.	Side		PG	Corner dim.	Side	
		A/B	C/D			A/B	C/D
12	17,25	26	16	7	17,25	26	16
16	25,30	12	8	9	21,85	15	11
20	27,60	9	6	11	25,30	12	6
25	37,95	5	3	13,5	27,60	9	6
32	48,30	3	2	16	31,05	8	5
40	60,95	2	1	21	37,95	5	3
50	69,00	2		29	48,30	2	2
63	74,75			36	60,95	2	1
				42	69,00	1	
				48	74,75		

Lid



* = Conical form tapering downwards
Free dimensions-tolerance to GTA 13/5 DIN 1688

Base



Type: **01.16 26 09**

External dimensions: **160 x 260 x 91 mm**

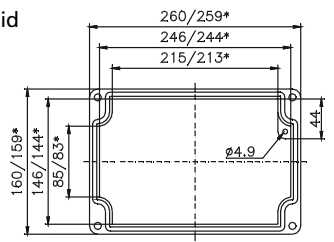
Weight: **2300 g**

DIN rail length in mm	max. fitting length in mm	Earthing rail clamp	Mounting plate (thickness in mm)	External mounting brackets	External hinge* set	EMC version	Internal hinge* set	SWB / SBG / SBGL Cor.-protection	Allen lid screws	Silicone lid seal	Sealable lid screws in steel	Turn bolt fastener
TS 35												
245	220	16	1,5	•	•	•	•	•	•	•	•	•

Maximum number of cable glands to DIN 50262*

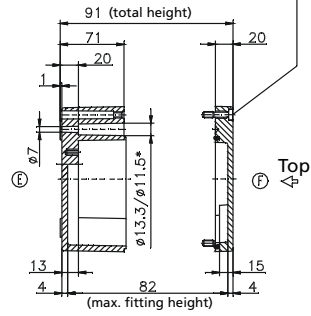
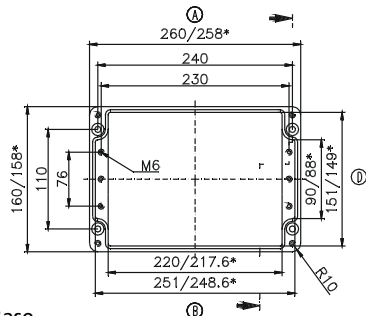
M	Corner dim.	Side		PG	Corner dim.	Side	
		A/B	C/D			A/B	C/D
12	17,25	50	16	7	17,25	50	16
16	25,30	24	8	9	21,85	30	11
20	27,60	17	6	11	25,30	23	6
25	37,95	10	3	13,5	27,60	17	6
32	48,30	5	2	16	31,05	14	5
40	60,95	3	1	21	37,95	9	3
50	69,00	3		29	48,30	5	2
63	74,75			36	60,95	3	1
				42	69,00	3	
				48	74,75		

Lid



* = Conical form tapering downwards
Free dimensions-tolerance to GTA 13/5 DIN 1688

Base



* Please quote mounting side

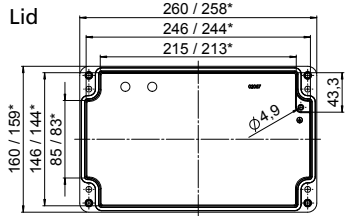
Type: **01.16 26 16**

External dimensions: **160 x 260 x 161 mm**

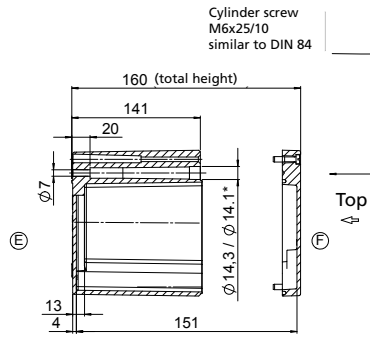
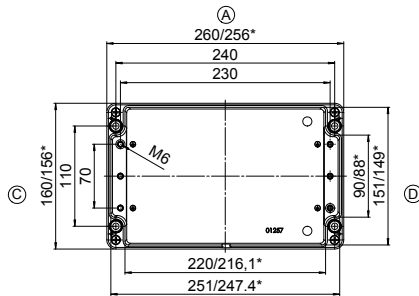
Weight: **2960 g**

DIN rail length in mm	max. fitting length in mm	Earthing rail clamp	Mounting plate (thickness in mm)	External mounting brackets	External hinge* set	EMC version	Internal hinge* set	SWB / SBGL Cor.protection	Allen lid screws	Silicone lid seal	Sealable lid screws in steel	Turn bolt fastener
TS 35												
245	220	16	1.5	•	•	•	•	•	•	•	•	•

Maximum number of cable glands to DIN 50262*



* = Conical form tapering downwards
Free dimensions-tolerance to GTA 13/5 DIN 1688



M	Corner dim.	Side		PG	Corner dim.	Side	
		A/B	C/D			A/B	C/D
12	17,25	96	40	7	17,25	96	36
16	25,30	48	18	9	21,85	67	24
20	27,60	40	15	11	25,30	48	15
25	37,95	22	8	13,5	27,60	40	15
32	48,30	12	5	16	31,05	33	12
40	60,95	6	3	21	37,95	20	6
50	69,00	6	2	29	48,30	12	5
63	74,75	5	1	36	60,95	6	2
				42	69,00	6	2
				48	74,75	5	1

* Please quote mounting side

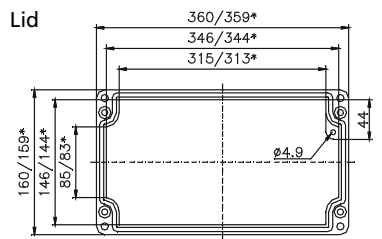
Type: **01.16 36 09**

External dimensions: **160 x 360 x 91 mm**

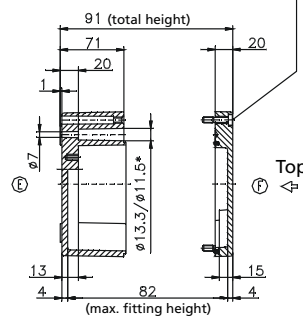
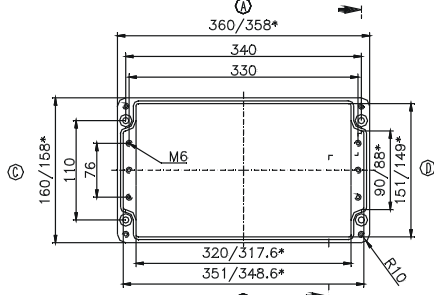
Weight: **2940 g**

DIN rail length in mm	max. fitting length in mm	Earthing rail clamp	Mounting plate (thickness in mm)	External mounting brackets	External hinge* set	EMC version	Internal hinge* set	SWB / SBGL Cor.protection	Allen lid screws	Silicone lid seal	Sealable lid screws in steel	Turn bolt fastener
TS 35												
343	320	23	1,5	•	•	•	•	•	•	•	•	•

Maximum number of cable glands to DIN 50262*



* = Conical form tapering downwards
Free dimensions-tolerance to GTA 13/5 DIN 1688



M	Corner dim.	Side		PG	Corner dim.	Side	
		A/B	C/D			A/B	C/D
12	17,25	72	16	7	17,25	72	16
16	25,30	36	8	9	21,85	42	11
20	27,60	24	6	11	25,30	33	6
25	37,95	15	3	13,5	27,60	24	6
32	48,30	7	2	16	31,05	20	5
40	60,95	5	1	21	37,95	14	3
50	69,00	4		29	48,30	7	2
63	74,75			36	60,95	5	1
				42	69,00	4	
				48	74,75		

* Please quote mounting side

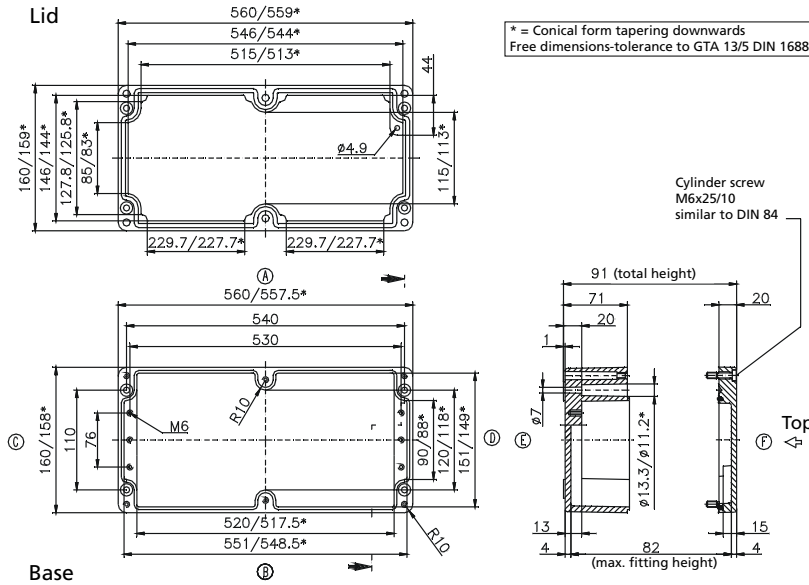
Type: **01.16 56 09**

External dimensions: **160 x 560 x 91 mm**

Weight: **4457 g**

DIN rail length in mm	max. fitting length in mm	Earthing rail clamp	Mounting plate (thickness in mm)	External mounting brackets	External hinge* set	EMC version	Internal hinge* set	SWB / SBG / SBGL Corr.protection	Allen lid screws	Silicone lid seal	Sealable lid screws in steel	Turn bolt fastener
TS 35												
543	520	36	2	•	•	•	•	•	•	•	•	•

Maximum number of cable glands to DIN 50262*



M	Corner dim.	Side		PG	Corner dim.	Side	
		A/B	C/D			A/B	C/D
12	17,25	104	16	7	17,25	104	16
16	25,30	58	8	9	21,85	66	11
20	27,60	40	6	11	25,30	58	6
25	37,95	24	3	13,5	27,60	40	6
32	48,30	12	2	16	31,05	32	5
40	60,95	8	1	21	37,95	24	3
50	69,00	6		29	48,30	12	2
63	74,75			36	60,95	8	1
				42	69,00	6	
				48	74,75		

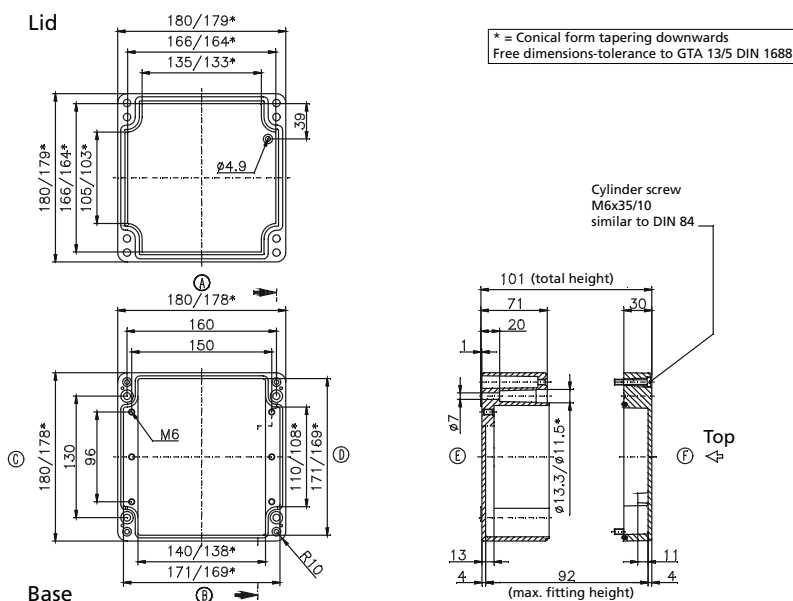
Type: **01.18 18 10**

External dimensions: **180 x 180 x 101 mm**

Weight: **2400 g**

DIN rail length in mm	max. fitting length in mm	Earthing rail clamp	Mounting plate (thickness in mm)	External mounting brackets	External hinge* set	EMC version	Internal hinge* set	SWB / SBG / SBGL Corr.protection	Allen lid screws	Silicone lid seal	Sealable lid screws in steel	Turn bolt fastener
TS 35												
166	140	8	1,5	•	•	•	•	•	•	•	•	•

Maximum number of cable glands to DIN 50262*



M	Corner dim.	Side		PG	Corner dim.	Side	
		A/B	C/D			A/B	C/D
12	17,25	30	20	7	17,25	28	20
16	25,30	15	9	9	21,85	18	14
20	27,60	11	8	11	25,30	15	8
25	37,95	6	3	13,5	27,60	11	8
32	48,30	3	2	16	31,05	8	6
40	60,95	2	2	21	37,95	6	3
50	69,00	2		29	48,30	3	2
63	74,75			36	60,95	2	2
				42	69,00	2	
				48	74,75		

* Please quote mounting side

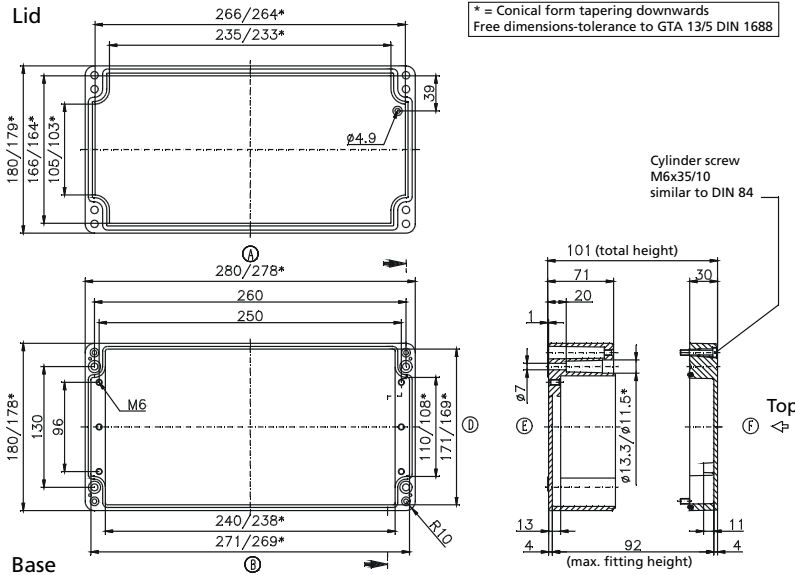
Type: **01.18 28 10**

External dimensions: **180 x 280 x 101 mm**

Weight: **3000 g**

DIN rail length in mm	max. fitting length in mm	Earthing rail clamp	Mounting plate (thickness in mm)	External mounting brackets	External hinge* set	EMC version	Internal hinge* set	SWB / SBG / SBGL Corr.protection	Allen lid screws	Silicone lid seal	Sealable lid screws in steel	Turn bolt fastener
TS 35												
264	240	17	1,5	•	•	•	•	•	•	•	•	•

Maximum number of cable glands to DIN 50262*



M	Corner dim.	Side		PG	Corner dim.	Side	
		A/B	C/D			A/B	C/D
12	17,25	52	22	7	17,25	52	22
16	25,30	26	10	9	21,85	33	15
20	27,60	18	8	11	25,30	23	10
25	37,95	11	4	13,5	27,60	18	8
32	48,30	5	2	16	31,05	14	7
40	60,95	4	2	21	37,95	10	4
50	69,00	3		29	48,30	5	2
63	74,75			36	60,95	4	2
				42	69,00	3	
				48	74,75		

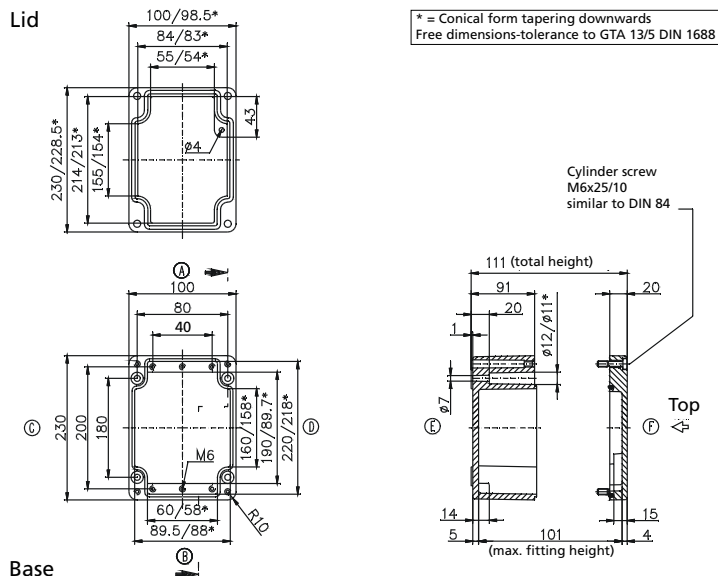
Type: **01.23 10 11**

External dimensions: **230 x 100 x 111 mm**

Weight: **2300 g**

DIN rail length in mm	max. fitting length in mm	Earthing rail clamp	Mounting plate (thickness in mm)	External mounting brackets	External hinge* set	EMC version	Internal hinge* set	SWB / SBG / SBGL Corr.protection	Allen lid screws	Silicone lid seal	Sealable lid screws in steel	Turn bolt fastener
TS 35												
214	190	13	1,5	•	•	•	•	•	•	•	•	•

Maximum number of cable glands to DIN 50262*



M	Corner dim.	Side		PG	Corner dim.	Side	
		A/B	C/D			A/B	C/D
12	17,25	15	45	7	17,25	15	45
16	25,30	8	18	9	21,85	10	28
20	27,60	6	17	11	25,30	6	18
25	37,95	3	8	13,5	27,60	6	17
32	48,30	2	5	16	31,05	5	12
40	60,95	1	3	21	37,95	3	8
50	69,00	1	2	29	48,30	1	4
63	74,75		2	36	60,95	1	3
				42	69,00	1	2
				48	74,75	1	2

* Please quote mounting side

Type: **01.23 20 11**

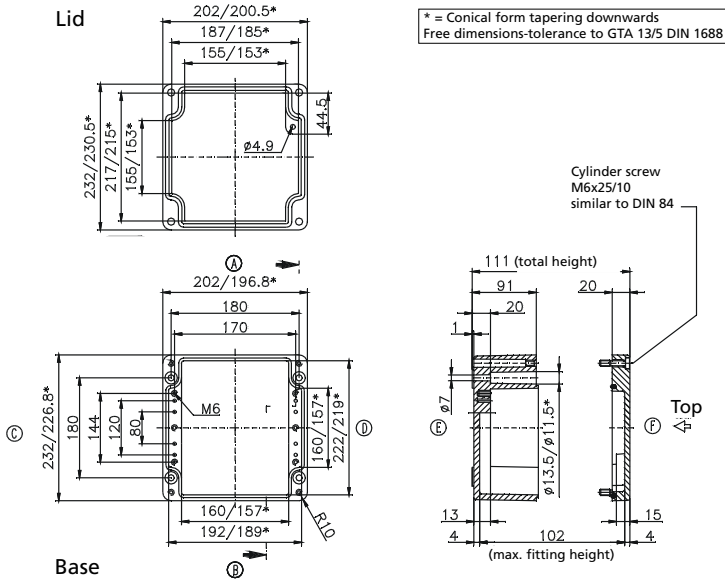
External dimensions: **232 x 202 x 111 mm**

Weight: **2880 g**

DIN rail length in mm	max. fitting length in mm	Earthing rail clamp	Mounting plate (thickness in mm)	External mounting brackets	External hinge* set	EMC version	Internal hinge* set	SWB / SBG / SBGL Corr.protection	Allen lid screws	Silicone lid seal	Sealable lid screws in steel	Turn bolt fastener
TS 35												
186	160	10	1,5	•	•	•	•	•	•	•	•	•

Maximum number of cable glands to DIN 50262*

M	Corner dim.	Side		PG	Corner dim.	Side	
		A/B	C/D			A/B	C/D
12	17,25	45	45	7	17,25	45	45
16	25,30	22	18	9	21,85	28	28
20	27,60	18	17	11	25,30	20	18
25	37,95	8	8	13,5	27,60	18	17
32	48,30	6	5	16	31,05	15	12
40	60,95	3	3	21	37,95	8	8
50	69,00	2	2	29	48,30	5	4
63	74,75	2	2	36	60,95	3	3
				42	69,00	2	2
				48	74,75	2	2



Type: **01.23 20 18**

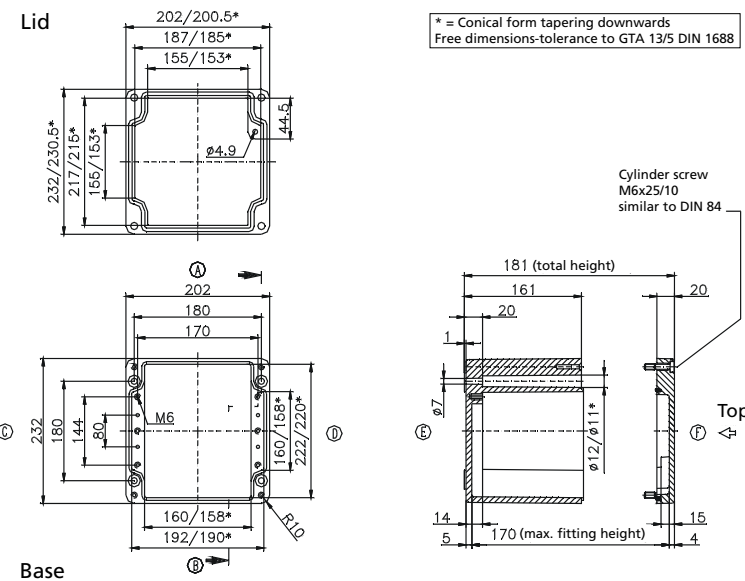
External dimensions: **232 x 202 x 181 mm**

Weight: **4600 g**

DIN rail length in mm	max. fitting length in mm	Earthing rail clamp	Mounting plate (thickness in mm)	External mounting brackets	External hinge* set	EMC version	Internal hinge* set	SWB / SBG / SBGL Corr.protection	Allen lid screws	Silicone lid seal	Sealable lid screws in steel	Turn bolt fastener
TS 35												
186	160	10	1,5	•	•	•	•	•	•	•	•	•

Maximum number of cable glands to DIN 50262*

M	Corner dim.	Side		PG	Corner dim.	Side	
		A/B	C/D			A/B	C/D
12	17,25	90	81	7	17,25	90	81
16	25,30	42	36	9	21,85	56	49
20	27,60	33	33	11	25,30	42	36
25	37,95	18	16	13,5	27,60	33	33
32	48,30	10	9	16	31,05	25	25
40	60,95	6	6	21	37,95	16	16
50	69,00	5	5	29	48,30	10	9
63	74,75	4	4	36	60,95	6	5
				42	69,00	5	4
				48	74,75	4	4



* Please quote mounting side

Type: **01.23 28 11**

External dimensions: **230 x 280 x 111 mm**

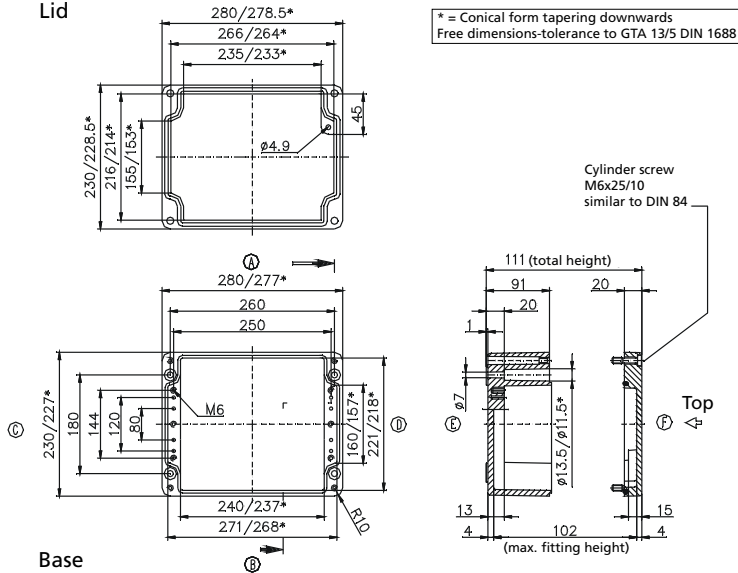
Weight: **3460 g**

DIN rail length in mm	max. fitting length in mm	Earthing rail clamp	Mounting plate (thickness in mm)	External mounting brackets	External hinge* set	EMC version	Internal hinge* set	SWB / SBG / SBGL Corr.protection	Allen lid screws	Silicone lid seal	Sealable lid screws in steel	Turn bolt fastener
TS 35												
264	240	16	1,5	•	•	•	•	•	•	•	•	•

Maximum number of cable glands to **DIN 50262***

M	Corner dim.	Side		PG	Corner dim.	Side	
		A/B	C/D			A/B	C/D
12	17,25	70	45	7	17,25	68	45
16	25,30	32	18	9	21,85	44	28
20	27,60	24	17	11	25,30	32	18
25	37,95	12	8	13,5	27,60	24	17
32	48,30	9	5	16	31,05	21	12
40	60,95	4	3	21	37,95	12	8
50	69,00	3	2	29	48,30	9	4
63	74,75	3	2	36	60,95	4	3
				42	69,00	3	2
				48	74,75	3	2

Lid



Base

Type: **01.23 33 11**

External dimensions: **230 x 330 x 111 mm**

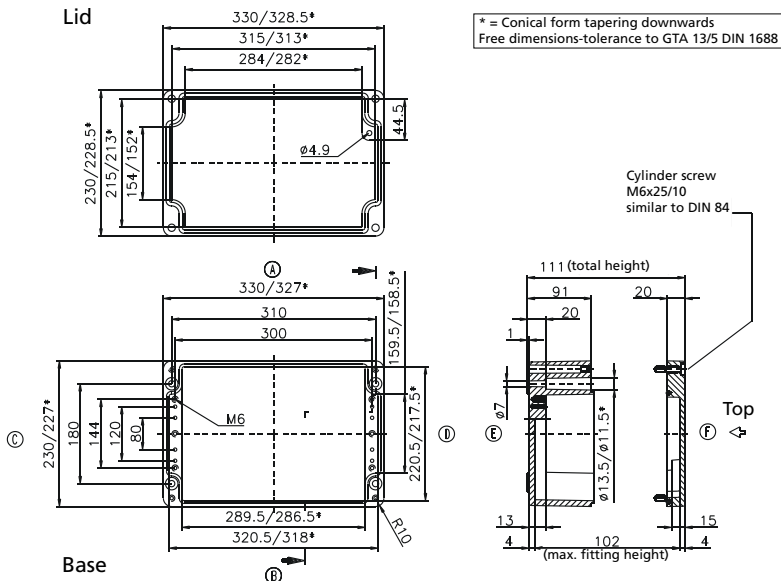
Weight: **3500 g**

DIN rail length in mm	max. fitting length in mm	Earthing rail clamp	Mounting plate (thickness in mm)	External mounting brackets	External hinge* set	EMC version	Internal hinge* set	SWB / SBG / SBGL Corr.protection	Allen lid screws	Silicone lid seal	Sealable lid screws in steel	Turn bolt fastener
TS 35												
314	290	21	1,5	•	•	•	•	•	•	•	•	•

Maximum number of cable glands to **DIN 50262***

M	Corner dim.	Side		PG	Corner dim.	Side	
		A/B	C/D			A/B	C/D
12	17,25	84	45	7	17,25	81	45
16	25,30	42	18	9	21,85	52	28
20	27,60	30	17	11	25,30	38	18
25	37,95	15	8	13,5	27,60	30	17
32	48,30	11	5	16	31,05	27	12
40	60,95	5	3	21	37,95	15	8
50	69,00	4	2	29	48,30	11	4
63	74,75	4	2	36	60,95	5	3
				42	69,00	4	2
				48	74,75	4	2

Lid



Base

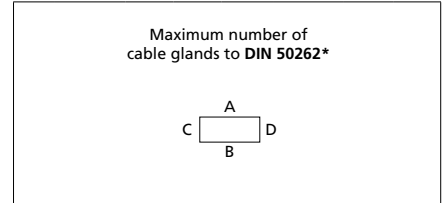
* Please quote mounting side

Type: **01.23 33 18**

External dimensions: **230 x 330 x 181 mm**

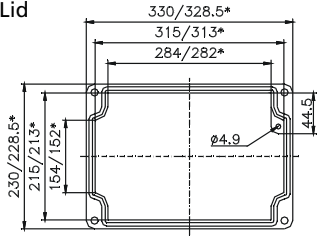
Weight: **6400 g**

DIN rail length in mm	max. fitting length in mm	Earthing rail clamp	Mounting plate (thickness in mm)	External mounting brackets	External hinge* set	EMC version	Internal hinge* set	SWB / SBG / SBGL Corr.protection	Allen lid screws	Silicone lid seal	Sealable lid screws in steel	Turn bolt fastener
TS 35												
314	290	21	1,5	•	•	•	•	•	•	•	•	•



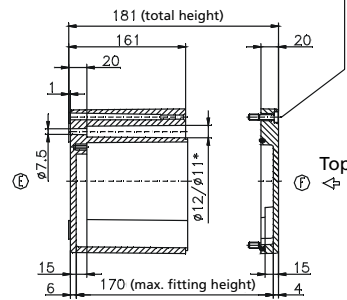
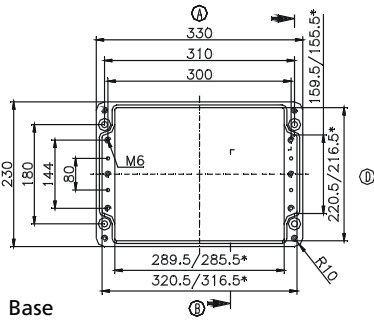
M	Corner dim.	Side		PG	Corner dim.	Side	
		A/B	C/D			A/B	C/D
12	17,25	165	81	7	17,25	144	81
16	25,30	77	36	9	21,85	104	49
20	27,60	60	33	11	25,30	77	36
25	37,95	30	16	13,5	27,60	60	33
32	48,30	18	9	16	31,05	45	25
40	60,95	11	6	21	37,95	30	16
50	69,00	8	5	29	48,30	18	9
63	74,75	8	4	36	60,95	11	5
				42	69,00	8	4
				48	74,75	8	4

Lid



* = Conical form tapering downwards
Free dimensions-tolerance to GTA 13/5 DIN 1688

Base

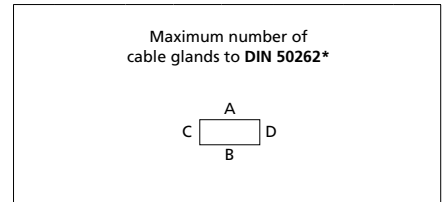


Type: **01.23 40 11**

External dimensions: **230 x 400 x 111 mm**

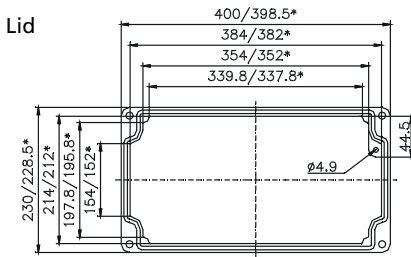
Weight: **4833 g**

DIN rail length in mm	max. fitting length in mm	Earthing rail clamp	Mounting plate (thickness in mm)	External mounting brackets	External hinge* set	EMC version	Internal hinge* set	SWB / SBG / SBGL Corr.protection	Allen lid screws	Silicone lid seal	Sealable lid screws in steel	Turn bolt fastener
TS 35												
381	360	25	2	•	•	•	•	•	•	•	•	•



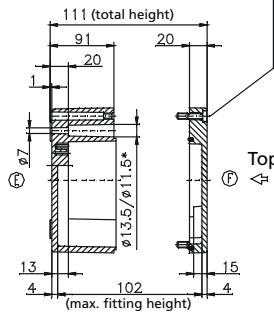
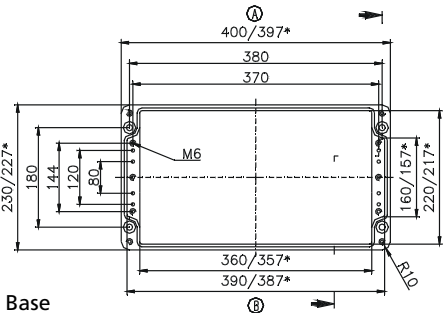
M	Corner dim.	Side		PG	Corner dim.	Side	
		A/B	C/D			A/B	C/D
12	17,25	103	45	7	17,25	103	45
16	25,30	50	18	9	21,85	64	28
20	27,60	39	17	11	25,30	46	18
25	37,95	20	8	13,5	27,60	39	17
32	48,30	14	5	16	31,05	33	12
40	60,95	6	3	21	37,95	18	8
50	69,00	5	2	29	48,30	13	4
63	74,75	5	2	36	60,95	6	3
				42	69,00	5	2
				48	74,75	5	2

Lid



* = Conical form tapering downwards
Free dimensions-tolerance to GTA 13/5 DIN 1688

Base



* Please quote mounting side

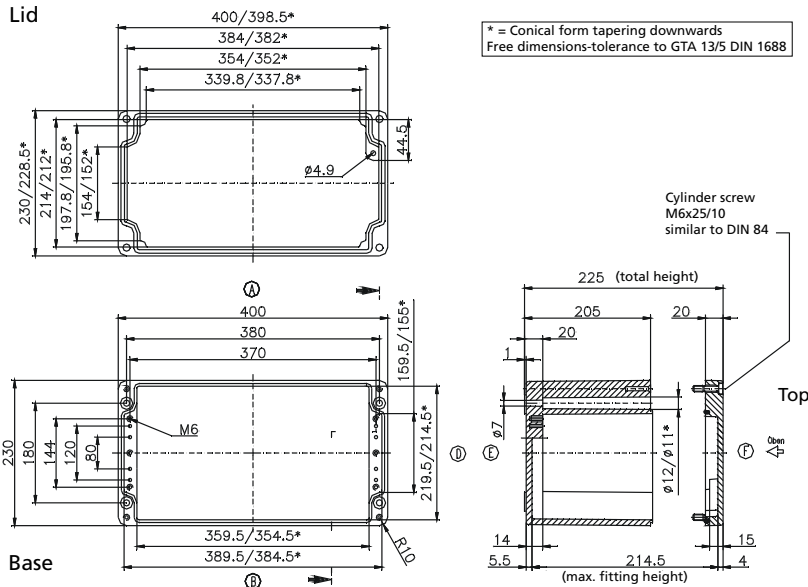
Type: **01.23 40 23**

External dimensions: **230 x 400 x 225 mm**

Weight: **8300 g**

DIN rail length in mm	max. fitting length in mm	Earthing rail clamp	Mounting plate (thickness in mm)	External mounting brackets	External hinge* set	EMC version	Internal hinge* set	SWB / SBG / SBGL Corr.protection	Allen lid screws	Silicone lid seal	Sealable lid screws in steel	Turn bolt fastener
TS 35												
381	360	25	2	•	•	•	•	•	•	•	•	•

Maximum number of cable glands to DIN 50262*



M	Corner dim.	Side		PG	Corner dim.	Side	
		A/B	C/D			A/B	C/D
12	17,25	240	108	7	17,25	240	108
16	25,30	122	48	9	21,85	160	63
20	27,60	100	44	11	25,30	112	48
25	37,95	54	21	13,5	27,60	100	44
32	48,30	30	13	16	31,05	77	35
40	60,95	18	9	21	37,95	54	21
50	69,00	15	6	29	48,30	30	13
63	74,75	12	5	36	60,95	18	6
				42	69,00	15	6
				48	74,75	12	5

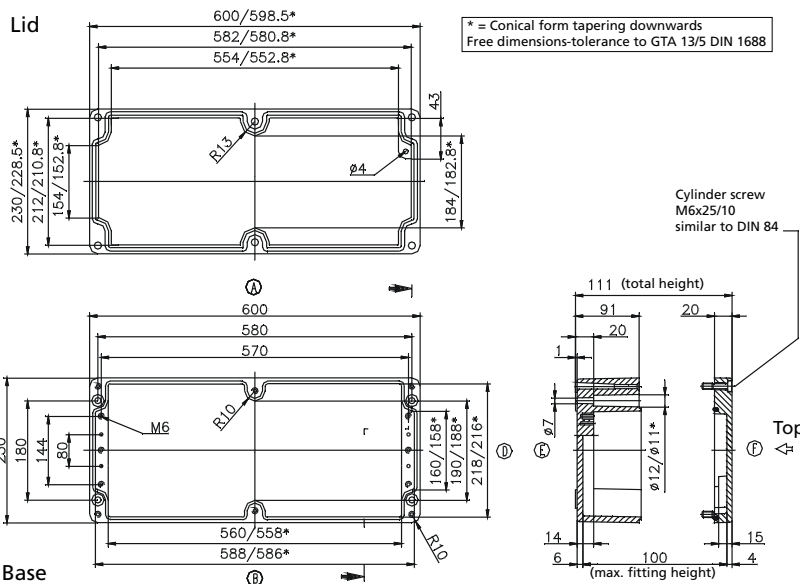
Type: **01.23 60 11**

External dimensions: **230 x 600 x 111 mm**

Weight: **8700 g**

DIN rail length in mm	max. fitting length in mm	Earthing rail clamp	Mounting plate (thickness in mm)	External mounting brackets	External hinge* set	EMC version	Internal hinge* set	SWB / SBG / SBGL Corr.protection	Allen lid screws	Silicone lid seal	Sealable lid screws in steel	Turn bolt fastener
TS 35												
581	560	40	2	•	•	•	•	•	•	•	•	•

Maximum number of cable glands to DIN 50262*



M	Corner dim.	Side		PG	Corner dim.	Side	
		A/B	C/D			A/B	C/D
12	17,25	150	43	7	17,25	150	43
16	25,30	72	18	9	21,85	96	28
20	27,60	54	17	11	25,30	68	18
25	37,95	28	8	13,5	27,60	54	15
32	48,30	20	4	16	31,05	28	12
40	60,95	10	3	21	37,95	28	8
50	69,00	8	2	29	48,30	20	4
63	74,75	6	2	36	60,95	10	2
				42	69,00	8	2
				48	74,75	6	2

* Please quote mounting side

Type: **01.31 40 11**

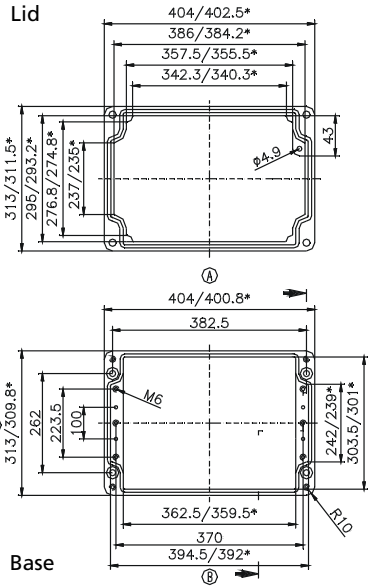
External dimensions: **313 x 404 x 111 mm**

Weight: **6400 g**

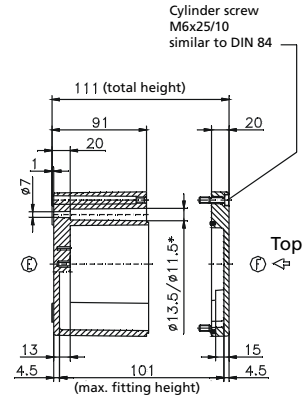
DIN rail length in mm	max. fitting length in mm	Earthing rail clamp	Mounting plate (thickness in mm)	External mounting brackets	External hinge* set	EMC version	Internal hinge* set	SWB / SBG / SBGL Corr.protection	Allen lid screws	Silicone lid seal	Sealable lid screws in steel	Turn bolt fastener
TS 35												
381	360	25	2	•	•	•	•	•	•	•	•	•

Maximum number of cable glands to DIN 50262*

Lid



* = Conical form tapering downwards
Free dimensions-tolerance to GTA 13/5 DIN 1688



M	Corner dim.	Side		PG	Corner dim.	Side	
		A/B	C/D			A/B	C/D
12	17,25	105	68	7	17,25	103	68
16	25,30	50	28	9	21,85	64	42
20	27,60	39	26	11	25,30	46	27
25	37,95	20	12	13,5	27,60	39	24
32	48,30	14	7	16	31,05	33	18
40	60,95	6	4	21	37,95	18	12
50	69,00	5	3	29	48,30	13	7
63	74,75	5	3	36	60,95	6	4
				42	69,00	5	3
				48	74,75	5	3

Type: **01.31 40 14**

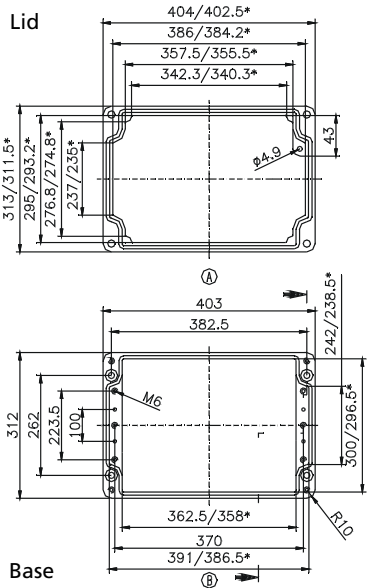
External dimensions: **312 x 403 x 141 mm**

Weight: **9500 g**

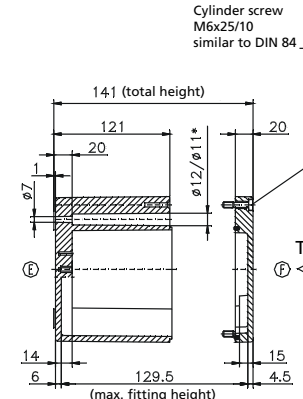
DIN rail length in mm	max. fitting length in mm	Earthing rail clamp	Mounting plate (thickness in mm)	External mounting brackets	External hinge* set	EMC version	Internal hinge* set	SWB / SBG / SBGL Corr.protection	Allen lid screws	Silicone lid seal	Sealable lid screws in steel	Turn bolt fastener
TS 35												
381	360	25	2	•	•	•	•	•	•	•	•	•

Maximum number of cable glands to DIN 50262*

Lid



* = Conical form tapering downwards
Free dimensions-tolerance to GTA 13/5 DIN 1688



M	Corner dim.	Side		PG	Corner dim.	Side	
		A/B	C/D			A/B	C/D
12	17,25	147	95	7	17,25	147	95
16	25,30	70	43	9	21,85	96	55
20	27,60	55	32	11	25,30	70	40
25	37,95	28	18	13,5	27,60	55	32
32	48,30	17	10	16	31,05	44	28
40	60,95	12	7	21	37,95	27	18
50	69,00	7	4	29	48,30	17	10
63	74,75	6	3	36	60,95	12	7
				42	69,00	7	4
				48	74,75	6	3

* Please quote mounting side

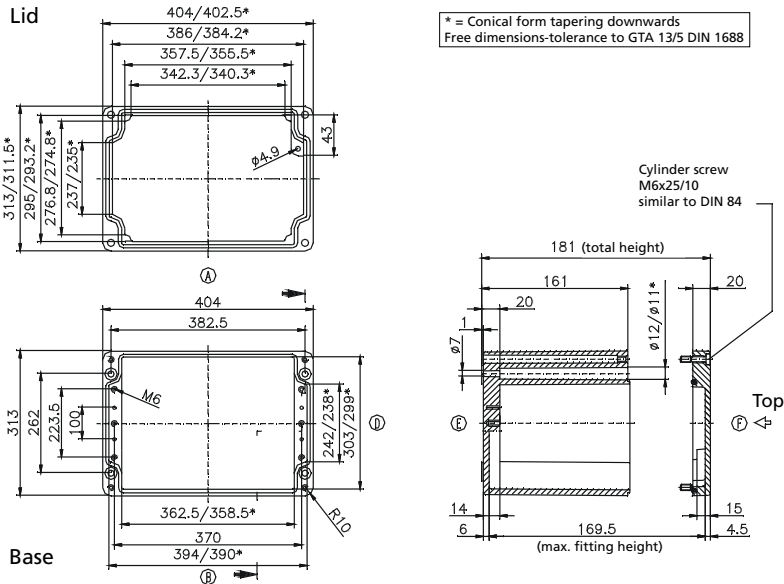
Type: **01.31 40 18**

External dimensions: **313 x 404 x 181 mm**

Weight: **9780 g**

DIN rail length in mm	max. fitting length in mm	Earthing rail clamp	Mounting plate (thickness in mm)	External mounting brackets	External hinge* set	EMC version	Internal hinge* set	SWB / SBG / SBGL Corr.protection	Allen lid screws	Silicone lid seal	Sealable lid screws in steel	Turn bolt fastener
TS 35												
381	360	25	2	•	•	•	•	•	•	•	•	•

Maximum number of cable glands to DIN 50262*



M	Corner dim.	Side		PG	Corner dim.	Side	
		A/B	C/D			A/B	C/D
12	17,25	205	122	7	17,25	205	122
16	25,30	98	54	9	21,85	128	77
20	27,60	78	51	11	25,30	98	54
25	37,95	40	24	13,5	27,60	75	48
32	48,30	22	15	16	31,05	60	38
40	60,95	15	9	21	37,95	38	24
50	69,00	11	6	29	48,30	22	15
63	74,75	8	6	36	60,95	14	8
				42	69,00	10	6
				48	74,75	10	6

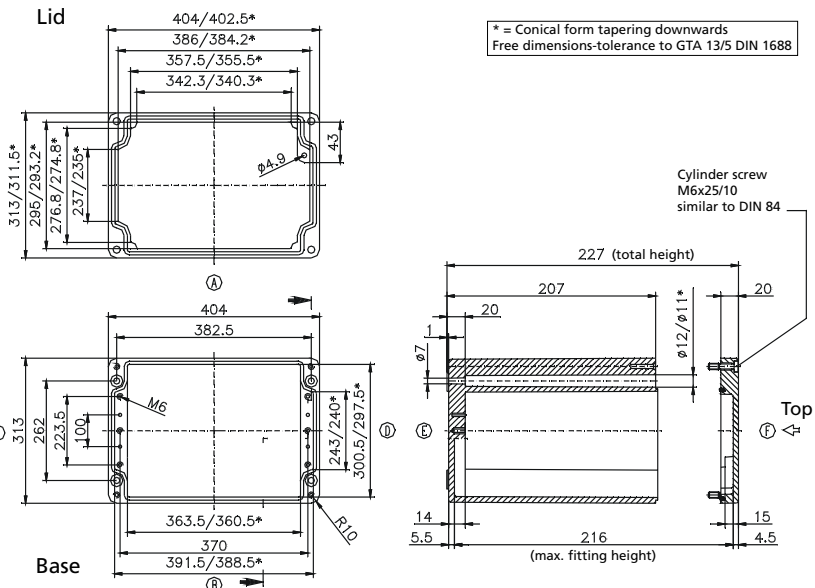
Type: **01.31 40 23**

External dimensions: **313 x 404 x 227 mm**

Weight: **11000 g**

DIN rail length in mm	max. fitting length in mm	Earthing rail clamp	Mounting plate (thickness in mm)	External mounting brackets	External hinge* set	EMC version	Internal hinge* set	SWB / SBG / SBGL Corr.protection	Allen lid screws	Silicone lid seal	Sealable lid screws in steel	Turn bolt fastener
TS 35												
381	360	25	2	•	•	•	•	•	•	•	•	•

Maximum number of cable glands to DIN 50262*



M	Corner dim.	Side		PG	Corner dim.	Side	
		A/B	C/D			A/B	C/D
12	17,25	246	162	7	17,25	246	162
16	25,30	126	72	9	21,85	160	99
20	27,60	100	68	11	25,30	112	72
25	37,95	54	33	13,5	27,60	100	64
32	48,30	30	20	16	31,05	77	53
40	60,95	18	12	21	37,95	54	33
50	69,00	15	9	29	48,30	30	20
63	74,75	12	8	36	60,95	18	12
				42	69,00	15	9
				48	74,75	14	8

* Please quote mounting side

Type: **01.31 60 11**

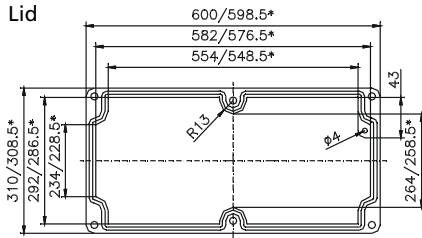
External dimensions: **310 x 600 x 111 mm**

Weight: **10160 g**

DIN rail length in mm	max. fitting length in mm	Earthing rail clamp	Mounting plate (thickness in mm)	External mounting brackets	External hinge* set	EMC version	Internal hinge* set	SWB / SBG / SBGL Corr.protection	Allen lid screws	Silicone lid seal	Sealable lid screws in steel	Turn bolt fastener
TS 35												
581	560	40	2	•	•	•	•	•	•	•	•	•

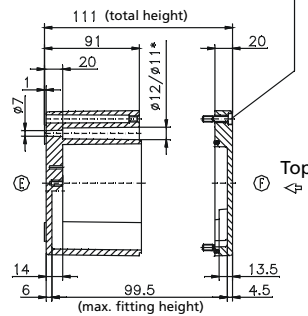
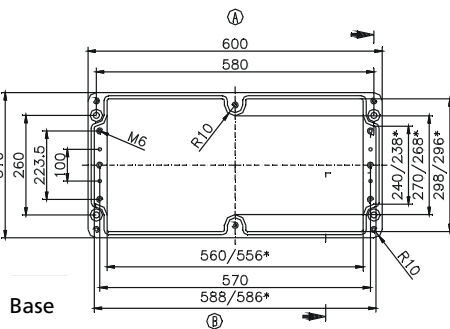
Maximum number of cable glands to DIN 50262*

Lid



* = Conical form tapering downwards
Free dimensions-tolerance to GTA 13/5 DIN 1688

Cylinder screw
M6x25/10
similar to DIN 84



M	Corner dim.	Side		PG	Corner dim.	Side	
		A/B	C/D			A/B	C/D
12	17,25	150	68	7	17,25	150	68
16	25,30	76	28	9	21,85	96	42
20	27,60	60	24	11	25,30	72	27
25	37,95	30	12	13,5	27,60	60	24
32	48,30	20	7	16	31,05	48	18
40	60,95	10	4	21	37,95	28	12
50	69,00	8	3	29	48,30	20	6
63	74,75	6	3	36	60,95	10	4
				42	69,00	8	3
				48	74,75	6	3

Type: **01.31 60 18**

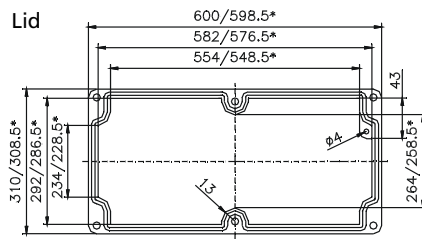
External dimensions: **310 x 600 x 181 mm**

Weight: **12560 g**

DIN rail length in mm	max. fitting length in mm	Earthing rail clamp	Mounting plate (thickness in mm)	External mounting brackets	External hinge* set	EMC version	Internal hinge* set	SWB / SBG / SBGL Corr.protection	Allen lid screws	Silicone lid seal	Sealable lid screws in steel	Turn bolt fastener
TS 35												
581	560	40	2	•	•	•	•	•	•	•	•	•

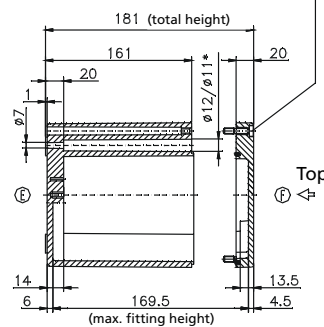
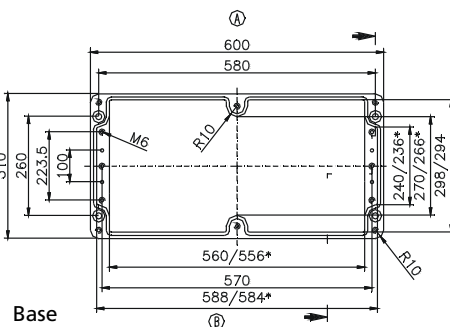
Maximum number of cable glands to DIN 50262*

Lid



* = Conical form tapering downwards
Free dimensions-tolerance to GTA 13/5 DIN 1688

Cylinder screw
M6x25/10
similar to DIN 84



M	Corner dim.	Side		PG	Corner dim.	Side	
		A/B	C/D			A/B	C/D
12	17,25	270	122	7	17,25	270	122
16	25,30	140	54	9	21,85	184	74
20	27,60	108	48	11	25,30	134	54
25	37,95	56	24	13,5	27,60	108	48
32	48,30	32	15	16	31,05	84	35
40	60,95	22	9	21	37,95	56	24
50	69,00	16	6	29	48,30	32	15
63	74,75	12	6	36	60,95	22	8
				42	69,00	16	6
				48	74,75	12	6

* Please quote mounting side

Type: **01.60 60 20**

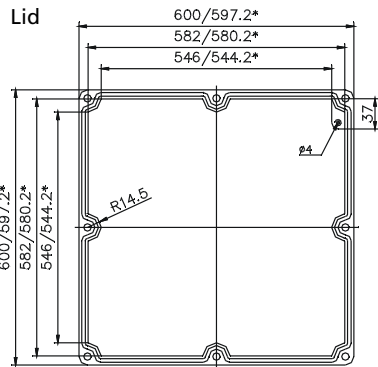
External dimensions: **600 x 600 x 202 mm**

Weight: **26200 g**

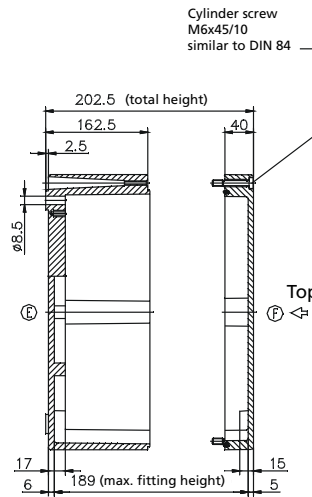
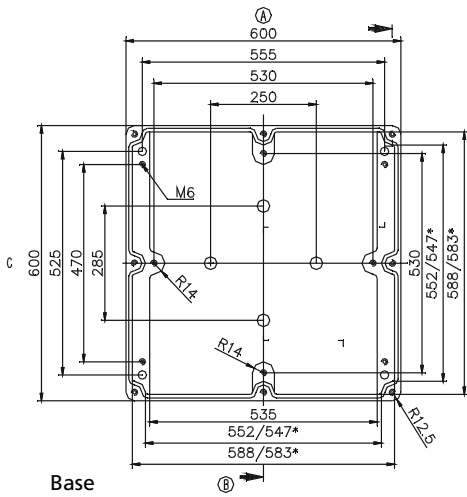
DIN rail length in mm	max. fitting length in mm	Earthing rail clamp	Mounting plate (thickness in mm)	External mounting brackets	External hinge* set	EMC version	Internal hinge* set	SWB / SBG / SBGL Cor.protection	Allen lid screws	Silicone lid seal	Sealable lid screws in steel	Turn bolt fastener
TS 35												
575	552		2,5					•		•		

Maximum number of cable glands to **DIN 50262***

M	Corner dim.	Side		PG	Corner dim.	Side	
		A/B	C/D			A/B	C/D
12	17,25	270	270	7	17,25	270	270
16	25,30	140	140	9	21,85	184	184
20	27,60	108	108	11	25,30	134	134
25	37,95	56	56	13,5	27,60	108	108
32	48,30	32	32	16	31,05	84	84
40	60,95	22	22	21	37,95	56	56
50	69,00	16	16	29	48,30	32	32
63	74,75	12	12	36	60,95	18	18
				42	69,00	12	12
				48	74,75	12	12



* = Conical form tapering downwards
Free dimensions-tolerance to GTA 13/5 DIN 1688



* Please quote mounting side



- Aluminium diecast enclosure for electronic applications
- Integrated hinge and covered lid screws
- Rectangular arrangement of the bosses in the base and lid

Technical Data

Material:

DIN EN 1706 EN AC-AlSi 12 (Fe)

Painting:

powder coating

Colour:

Enclosure RAL 7035, light grey
 Profile RAL 7015, slate grey
 special colour on request

Ingress protection:

IP 67/IP 69 to EN 60529

Temperature range:

PU (polyurethane) seal (std.): -40°C to +90°C
 CR (chloroprene) seal: -40°C to +100°C
 VMQ(silicone) seal (optional): -60°C to +130°C

Included in delivery

Aluminium enclosure comprising lid incl. seals and stainless steel lid screws, base including earthing screws.

AluFormPlus

Product range

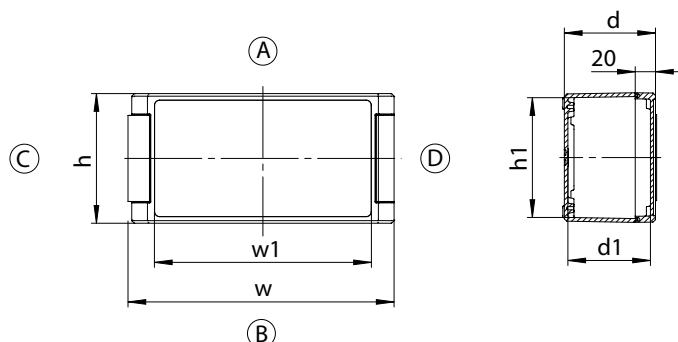
Order No.	Type	Dimensions (mm) H x W x D
64.09 12 06	AFP 6405	86 x 121 x 60
64.09 16 06	AFP 6410	86 x 159 x 60
64.09 20 06	AFP 6415	86 x 199 x 60
64.13 16 09	AFP 6420	128 x 159 x 90
64.13 26 06	AFP 6425	128 x 259 x 60
64.13 26 09	AFP 6430	128 x 259 x 90
64.17 30 06	AFP 6435	173 x 299 x 60
64.17 30 09	AFP 6440	173 x 299 x 90

Accessories

Order No.	DIN rail for terminal TS 15 / TS 35	Mounting plate	EMC screening	Silicone seal to +130°C	SWB corrosion protection
64.09 12 06	•	•	•	•	•
64.09 16 06	•	•	•	•	•
64.09 20 06	•	•	•	•	•
64.13 16 09	•	•	•	•	•
64.13 26 06	•	•	•	•	•
64.13 26 09	•	•	•	•	•
64.17 30 06	•	•	•	•	•
64.17 30 09	•	•	•	•	•

Dimensions

Order No.	h (mm)	b (mm)	t (mm)	h1 (mm)	b1 (mm)	t1 (mm)
64.09 12 06	86	121	60	77,5	77,5	51,5
64.09 16 06	86	159	60	77,5	115,5	51,5
64.09 20 06	86	199	60	77,5	155,5	81,5
64.13 16 09	128	159	90	118,5	114,5	51,5
64.13 26 06	128	259	60	119,5	215,5	51,5
64.13 26 09	128	259	90	118,5	214,5	81,5
64.17 30 06	173	299	60	164,5	255,5	51,5
64.17 30 09	173	299	90	164,5	254,5	81,5



Features



Integrated hinge



Covered lid screws



Profiles can be opened without tools



Deepened front areas



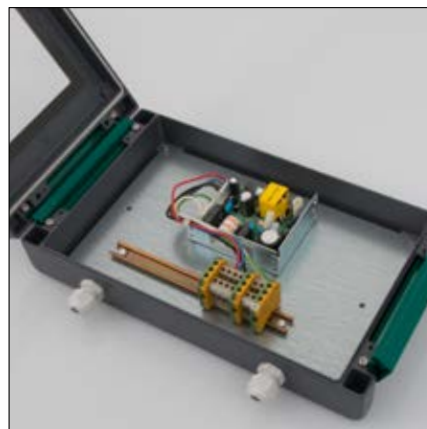
A rectangular arrangement of the bosses and lateral fixing fins



Mechanical processing of the makes it possible to fit membrane keypads or touch displays.



Insertion opening for a pressure compensation membrane.



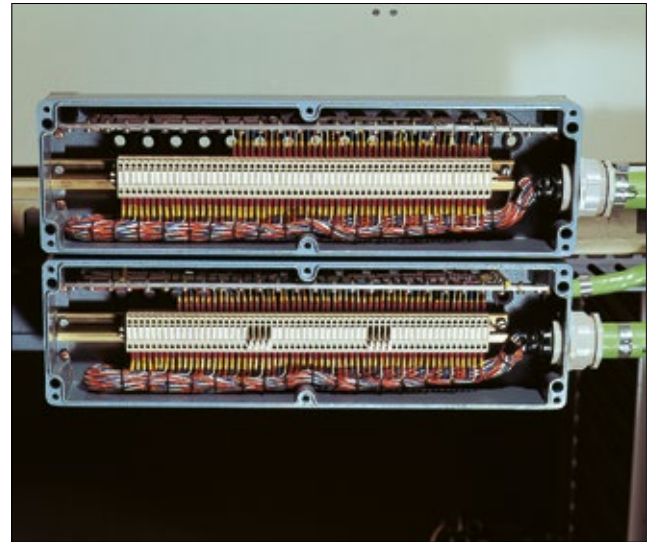
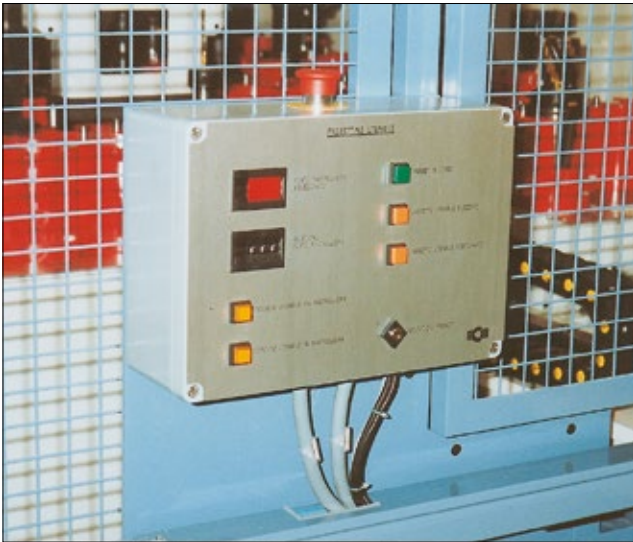
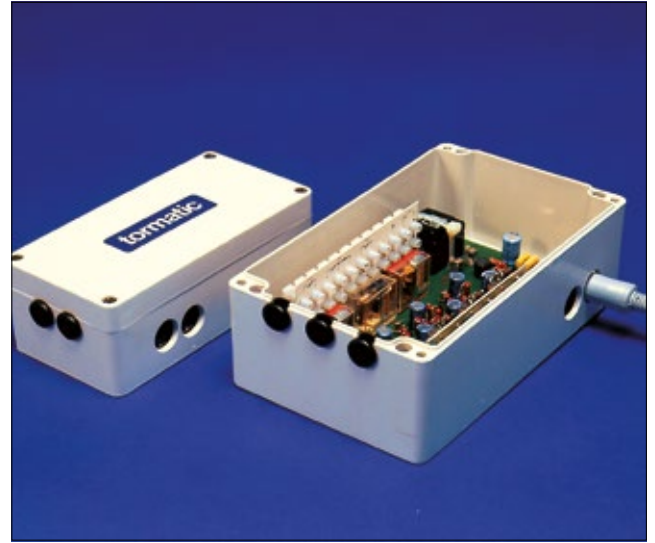
Large fitting areas

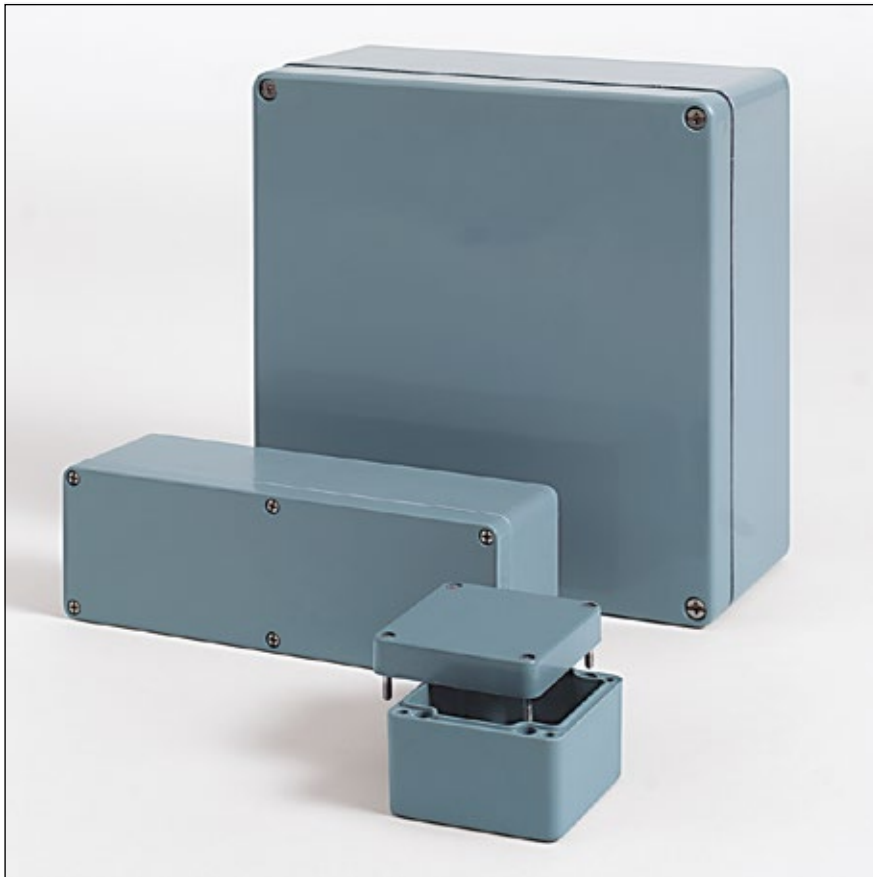


Individual colours of enclosure and profile covers

Polyester Standard

Applications





- Robust plastic enclosure for automation technology and mechanical engineering
- Fixing options for DIN rails and mounting plates
- Universal configuration

Technical data

Material:

glass fibre reinforced duroplastic polyester

Colour:

RAL 7000, squirrel grey

special colour on request

Ingress protection:

IP 66 to EN 60529

Impact resistance:

7 Joule to EN 60079-0

Surface resistance:

$>10^{12}$ Ohm to IEC 60093

Flammability:

V0 / self-extinguishing, UL 94

Insulation:

fully insulated to VDE 0100

Disruptive strength:

18 KV/mm, IEC 60243-1

Toxicity:

halogen-free

Temperature range:

PU (polyurethane) seal (std.): -40°C to +90°C

CR (chloroprene) seal: -40°C to +100°C

VMQ (silicone) seal (optional): -60°C to +130°C

Included in delivery

Plastic enclosure in glass fibre reinforced polyester, consisting of lid, seal, incl. captive +/- stainless steel screws, base with 2 or 4 earthing screws

Polyester Standard

Product range

Order No.	W x L x H (mm)	Order No.	W x L x H (mm)
02.06 06 03	55 x 55 x 37	02.12 22 09	120 x 220 x 91
02.06 06 06	55 x 55 x 59	02.16 16 09	160 x 160 x 91
02.08 08 06	75 x 80 x 56	02.16 26 09	160 x 260 x 91
02.08 08 08	75 x 80 x 75	02.16 36 09	160 x 360 x 91
02.08 11 06	75 x 110 x 56	02.16 56 09	160 x 560 x 91
02.08 11 08	75 x 110 x 75	02.25 26 12	250 x 255 x 121
02.08 16 06	75 x 160 x 56	02.25 26 16	250 x 255 x 161
02.08 16 08	75 x 160 x 75	02.25 40 12	250 x 400 x 121
02.08 19 06	75 x 190 x 56	02.25 40 16	250 x 400 x 161
02.08 19 08	75 x 190 x 75	02.25 60 12	250 x 600 x 121
02.08 23 06	75 x 230 x 56	02.36 36 09	360 x 360 x 91
02.08 23 08	75 x 230 x 75	02.41 40 12	405 x 400 x 121
02.10 32 08	100 x 320 x 81	02.41 40 20	406 x 401 x 201
02.12 12 09	120 x 122 x 91		

Accessories

Order No.	DIN rail* for terminals	Mounting plate thickness in mm	External mounting brackets set	Aluminium external hinge approx. 125° pair	Allen lid screws	Silicone lid seal up to +130°	Sealable lid screws	EMC version aluminized
	TS 15 TS 35		2)	3)	2)		2)	
02.06 06 03								
02.06 06 06								
02.08 08 06	•	2 4)	•		•	•	•	•
02.08 08 08	•	2 4)	•		•	•	•	•
02.08 11 06	•	2 4)	•		•	•	•	•
02.08 11 08	•	2 4)	•		•	•	•	•
02.08 16 06	•	2 4)	•		•	•	•	•
02.08 16 08	•	2 4)	•		•	•	•	•
02.08 19 06	•	2 4)	•		•	•	•	•
02.08 19 08	•	2 4)	•		•	•	•	•
02.08 23 06	•		•		•	•	•	•
02.08 23 08	•		•		•	•	•	•
02.10 32 08	•	1,5 1)	•	•	•	•	•	•
02.12 12 09	•	1,5 1)	•	•	•	•	•	•
02.12 22 09	•	1,5 1)	•	•	•	•	•	•
02.16 16 09	•	1,5 1)	•	•	•	•	•	•
02.16 26 09	•	1,5 1)	•	•	•	•	•	•
02.16 36 09	•	1,5 1)	•	•	•	•	•	•
02.16 56 09	•	2 1)	•	•	•	•	•	•
02.25 26 12	•	2 1)	•	•	•	•	•	•
02.25 26 16	•	2 1)	•	•	•	•	•	•
02.25 40 12	•	2 1)	•	•	•	•	•	•
02.25 40 16	•	2 1)	•	•	•	•	•	•
02.25 60 12	•	2 1)	•	•	•	•	•	•
02.36 36 09	•	2 1)	•	•	•	•	•	•
02.41 40 12	•	2 1)	•	•	•	•	•	•
02.41 40 20	•	2 1)	•	•	•	•	•	•

1) Galvanized sheet steel

2) Stainless steel

3) Please quote installation side A-D when ordering

4) Laminated paper

* TS 32 on request

Terminal mounting

	Phoenix												Earthing bar 2.5 mm ² with cable lug max. 10 mm ²	Earthing screw M4 with cable lug max. 6 mm ²	M6 with cable lug max. 35 mm ²	Earth connections as required	
	X	X															
DIN rail TS 15	X	X															
DIN rail TS 35			X	X	X	X	X	X	X	X	X	X					
Voltage (V)	500	500	1000	1000	1000	1000	1000	1000	1000	1000	1000	1000					
Current (A)	24	32	24	32	41	57	76	125	150	232	309	415					
Nom. cross section (mm ²)	2,5	4	2,5	4	6	10	16	35	50	95	150	240					
Terminal width (mm)	5,2	6,2	5,2	6,2	8,2	10,2	12,2	16	20	25	31	36					
Terminal type																	
Type	MUT 2,5	MUT 4	UT 2,5	UT 4	UT 6	UT 10	UT 16	UT 35	UKH 50	UKH 95	UKH 150	UKH 240					
02.06 06 03																	
02.06 06 06																	1
02.08 08 06	7																2
02.08 08 08	8	7															2
02.08 11 06	13																2
02.08 11 08	14	11															2
02.08 16 06	23																2
02.08 16 08	23	20															2
02.08 19 06	28																2
02.08 19 08	29	24															2
02.08 23 06	36																2
02.08 23 08	37	31															2
02.10 32 08	55	46															2
02.12 12 09			15	13	10	8	6										5
02.12 22 09			34	29	21	17	14										13
02.16 16 09			23	19	14	11	9	7									8
02.16 26 09			42	35	26	21	18	14									16
02.16 36 09			61	51	39	31	26	21									23
02.16 56 09			100	83	63	50	42	34									38
02.25 26 12			82	68	52	21	17	14	10								16
02.25 26 16			82	68	52	21	17	14	10								16
02.25 40 12			138	116	86	35	29	23	18								26
02.25 40 16			138	116	86	35	29	23	18								26
02.25 60 12			214	180	136	54	45	36	28								38
02.36 36 09			183	153	78	62	52	42									23
02.41 40 12			207	174	129	70	58	23	18								26
02.41 40 20			207	174	129	70	58	23	18	14	11						26

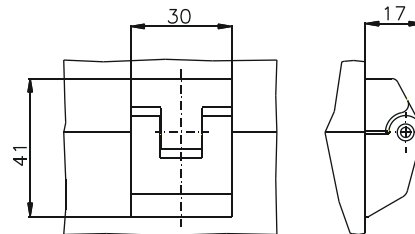
Polyester Standard

Accessories



External hinge
 Material cast aluminium
 Opening angle 150°
 (set = 2 pcs.)

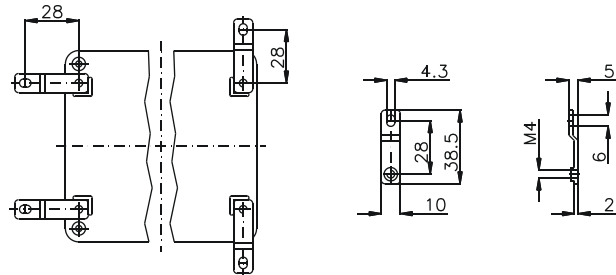
Order No. **10.02 70 01**



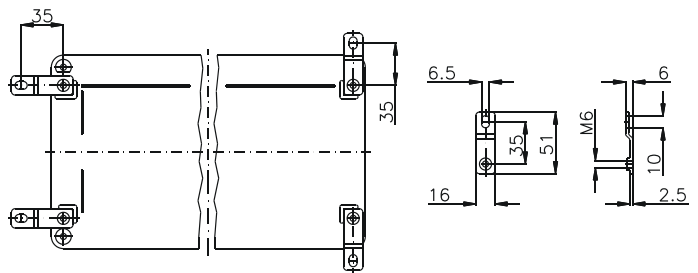
External mounting brackets (Set = 4 pcs.)

Order No.	for enclosure
10.03 11 01	02.08 08 06 - 02.08 23 08
10.03 11 02	02.10 32 08 - 02.41 40 20

Type 10.03 11 01



Type 10.03 11 02

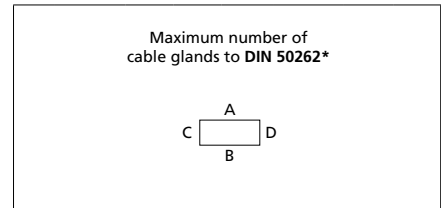


Type: **02.06 06 03**

External dimensions: **55 x 55 x 37 mm**

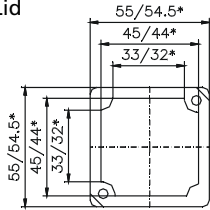
Weight: **118 g**

DIN rail length in mm	max. fitting length in mm	Mounting plate (thickness in mm)	External mounting brackets	External hinge* set	EMC version	Allen lid screws	Silicone lid seal	Sealable lid screws

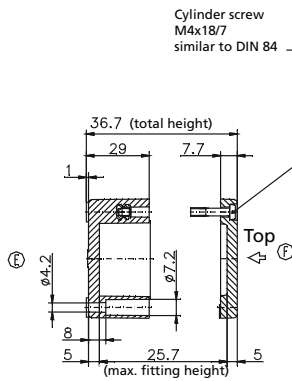
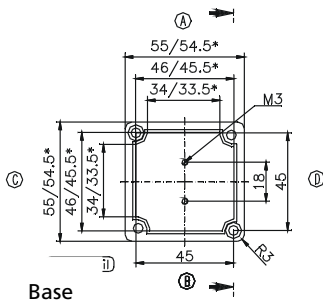


M	Corner dim.	Side		PG	Corner dim.	Side	
		A/B	C/D			A/B	C/D
12	17,25	2	2	7	17,25	2	2
16	25,30	1	1	9	21,85	1	1
20	27,60			11	25,30		
25	37,95			13,5	27,60		
32	48,30			16	31,05		
40	60,95			21	37,95		
50	69,00			29	48,30		
63	74,75			36	60,95		
				42	69,00		
				48	74,75		

Lid



* = Conical form tapering downwards
Free dimensions-tolerance to DIN 16901 - 130



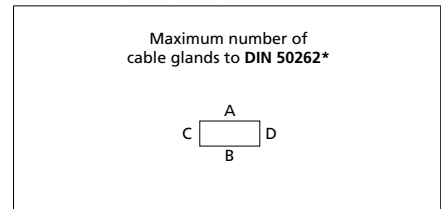
Cylinder screw M4x18/7 similar to DIN 84

Type: **02.06 06 06**

External dimensions: **55 x 55 x 59 mm**

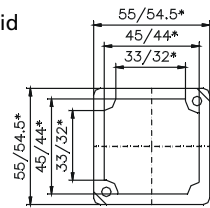
Weight: **152 g**

DIN rail length in mm	max. fitting length in mm	Mounting plate (thickness in mm)	External mounting brackets	External hinge* set	EMC version	Allen lid screws	Silicone lid seal	Sealable lid screws

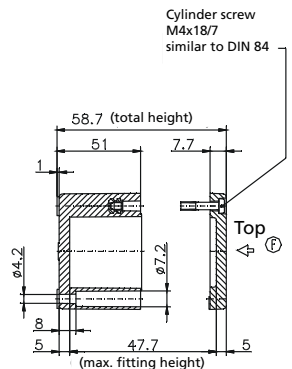
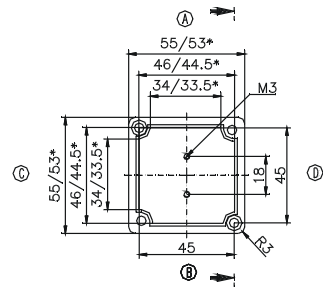


M	Corner dim.	Side		PG	Corner dim.	Side	
		A/B	C/D			A/B	C/D
12	17,25	5	5	7	17,25	5	5
16	25,30	2	2	9	21,85	3	3
20	27,60	1	1	11	25,30	2	2
25	37,95	1	1	13,5	27,60	1	1
32	48,30	1	1	16	31,05	1	1
40	60,95			21	37,95	1	1
50	69,00			29	48,30		
63	74,75			36	60,95		
				42	69,00		
				48	74,75		

Lid



* = Conical form tapering downwards
Free dimensions-tolerance to DIN 16901 - 130



Cylinder screw M4x18/7 similar to DIN 84

Base

* Please quote mounting side

Type: **02.08 08 06**

External dimensions: **75 x 80 x 56 mm**

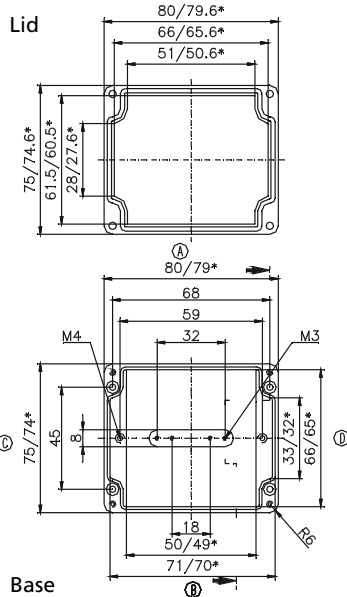
Weight: **280 g**

DIN rail length in mm	max. fitting length in mm	Mounting plate (thickness in mm)	External mounting brackets	External hinge* set	EMC version	Allen lid screws	Silicone lid seal	Sealable lid screws
TS 15								
63	49	2	•		•	•	•	•

Maximum number of cable glands to DIN 50262*

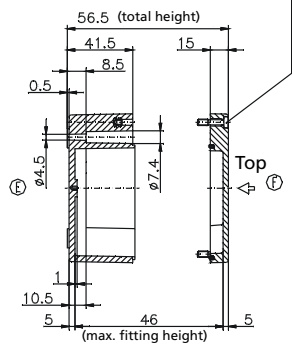
M	Corner dim.	Side		PG	Corner dim.	Side	
		A/B	C/D			A/B	C/D
12	17,25	6	3	7	17,25	6	3
16	25,30	2	1	9	21,85	4	1
20	27,60	2	1	11	25,30	2	1
25	37,95	1		13,5	27,60	2	1
32	48,30			16	31,05	2	1
40	60,95			21	37,95	1	
50	69,00			29	48,30		
63	74,75			36	60,95		
				42	69,00		
				48	74,75		

Lid



* = Conical form tapering downwards
Free dimensions-tolerance to DIN 16901 - 130

Cylinder screw
M4x24/7
similar to DIN 84



Type: **02.08 08 08**

External dimensions: **75 x 80 x 75 mm**

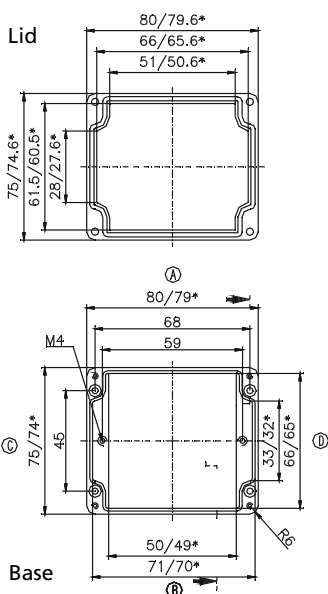
Weight: **340 g**

DIN rail length in mm	max. fitting length in mm	Mounting plate (thickness in mm)	External mounting brackets	External hinge* set	EMC version	Allen lid screws	Silicone lid seal	Sealable lid screws
TS 15								
63	49	2	•		•	•	•	•

Maximum number of cable glands to DIN 50262*

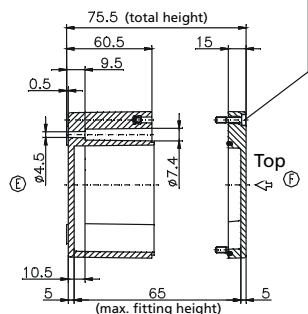
M	Corner dim.	Side		PG	Corner dim.	Side	
		A/B	C/D			A/B	C/D
12	17,25	9	5	7	17,25	9	5
16	25,30	5	2	9	21,85	6	3
20	27,60	4	2	11	25,30	4	2
25	37,95	1	1	13,5	27,60	4	2
32	48,30	1	1	16	31,05	3	1
40	60,95			21	37,95	1	1
50	69,00			29	48,30	1	
63	74,75			36	60,95		
				42	69,00		
				48	74,75		

Lid



* = Conical form tapering downwards
Free dimensions-tolerance to DIN 16901 - 130

Cylinder screw
M4x18/7
similar to DIN 84



* Please quote mounting side

Type: **02.08 11 06**

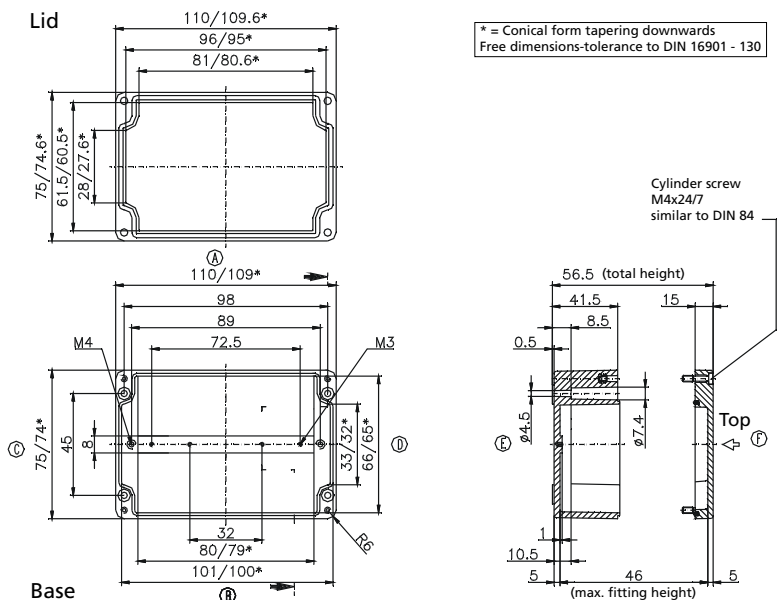
External dimensions: **75 x 110 x 56 mm**

Weight: **350 g**

DIN rail length in mm	max. fitting length in mm	Mounting plate (thickness in mm)	External mounting brackets	External hinge* set	EMC version	Allen lid screws	Silicone lid seal	Sealable lid screws
TS 15								
98	79	2	•		•	•	•	•

Maximum number of cable glands to DIN 50262*

M	Corner dim.	Side		PG	Corner dim.	Side	
		A/B	C/D			A/B	C/D
12	17,25	10	3	7	17,25	10	3
16	25,30	4	1	9	21,85	6	1
20	27,60	3	1	11	25,30	4	1
25	37,95	2		13,5	27,60	3	1
32	48,30			16	31,05	3	1
40	60,95			21	37,95	2	
50	69,00			29	48,30		
63	74,75			36	60,95		
				42	69,00		
				48	74,75		



Type: **02.08 11 08**

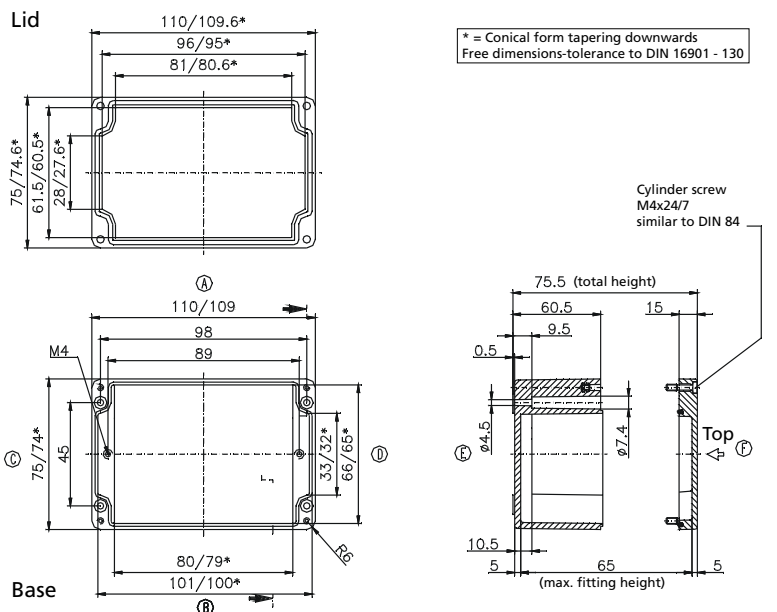
External dimensions: **75 x 110 x 75 mm**

Weight: **440 g**

DIN rail length in mm	max. fitting length in mm	Mounting plate (thickness in mm)	External mounting brackets	External hinge* set	EMC version	Allen lid screws	Silicone lid seal	Sealable lid screws
TS 15								
98	79	2	•		•	•	•	•

Maximum number of cable glands to DIN 50262*

M	Corner dim.	Side		PG	Corner dim.	Side	
		A/B	C/D			A/B	C/D
12	17,25	15	5	7	17,25	15	5
16	25,30	6	2	9	21,85	9	3
20	27,60	6	1	11	25,30	6	2
25	37,95	2	1	13,5	27,60	6	1
32	48,30	2	1	16	31,05	5	1
40	60,95			21	37,95	2	1
50	69,00			29	48,30	2	
63	74,75			36	60,95		
				42	69,00		
				48	74,75		



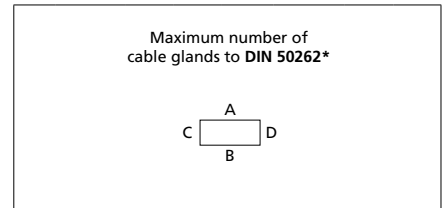
* Please quote mounting side

Type: **02.08 16 06**

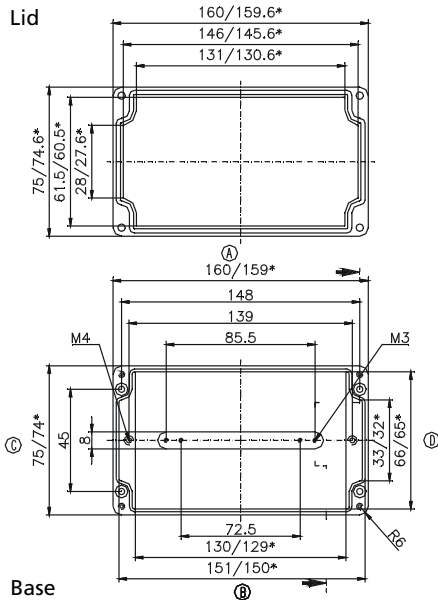
External dimensions: **75 x 160 x 56 mm**

Weight: **460 g**

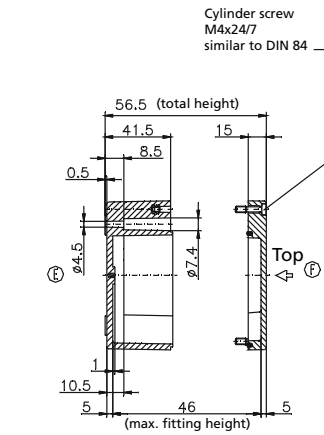
DIN rail length in mm	max. fitting length in mm	Mounting plate (thickness in mm)	External mounting brackets	External hinge* set	EMC version	Allen lid screws	Silicone lid seal	Sealable lid screws
TS 15								
148	129	2	•		•	•	•	•



Lid



* = Conical form tapering downwards
Free dimensions-tolerance to DIN 16901 - 130



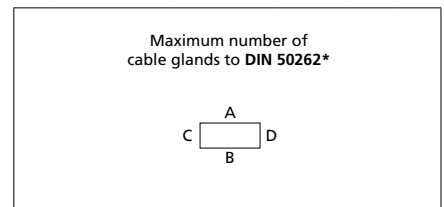
M	Corner dim.	Side		PG	Corner dim.	Side	
		A/B	C/D			A/B	C/D
12	17,25	16	3	7	17,25	16	2
16	25,30	6	1	9	21,85	9	1
20	27,60	5	1	11	25,30	6	1
25	37,95	3		13,5	27,60	5	1
32	48,30			16	31,05	4	1
40	60,95			21	37,95	3	
50	69,00			29	48,30		
63	74,75			36	60,95		
				42	69,00		
				48	74,75		

Type: **02.08 16 08**

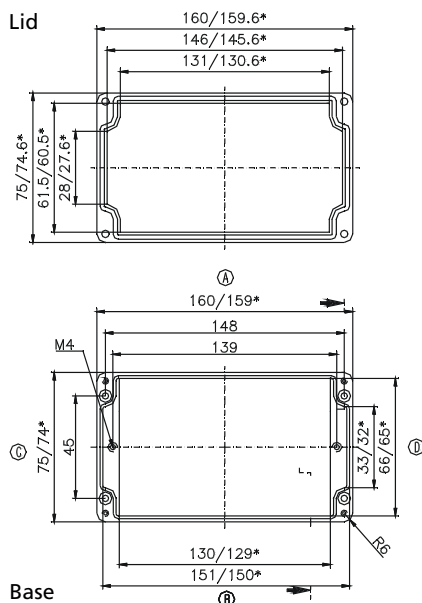
External dimensions: **75 x 160 x 75 mm**

Weight: **540 g**

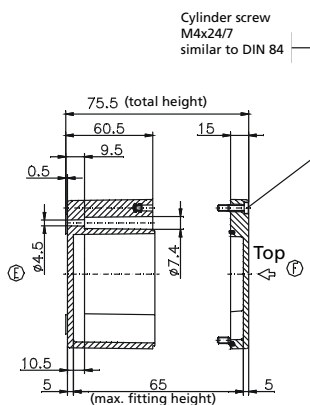
DIN rail length in mm	max. fitting length in mm	Mounting plate (thickness in mm)	External mounting brackets	External hinge* set	EMC version	Allen lid screws	Silicone lid seal	Sealable lid screws
TS 15								
148	129	2	•		•	•	•	•



Lid



* = Conical form tapering downwards
Free dimensions-tolerance to DIN 16901 - 130



M	Corner dim.	Side		PG	Corner dim.	Side	
		A/B	C/D			A/B	C/D
12	17,25	18	5	7	17,25	18	5
16	25,30	8	2	9	21,85	11	3
20	27,60	8	2	11	25,30	8	2
25	37,95	3	1	13,5	27,60	8	2
32	48,30	2	1	16	31,05	5	1
40	60,95			21	37,95	3	1
50	69,00			29	48,30	2	
63	74,75			36	60,95		
				42	69,00		
				48	74,75		

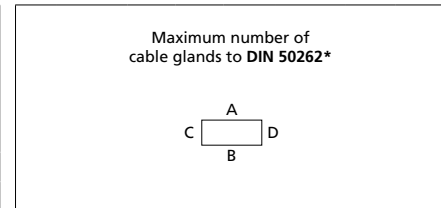
* Please quote mounting side

Type: **02.08 19 06**

External dimensions: **75 x 190 x 56 mm**

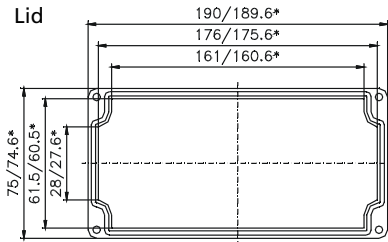
Weight: **520 g**

DIN rail length in mm	max. fitting length in mm	Mounting plate (thickness in mm)	External mounting brackets	External hinge* set	EMC version	Allen lid screws	Silicone lid seal	Sealable lid screws
TS 15								
174	159	2	•		•	•	•	•

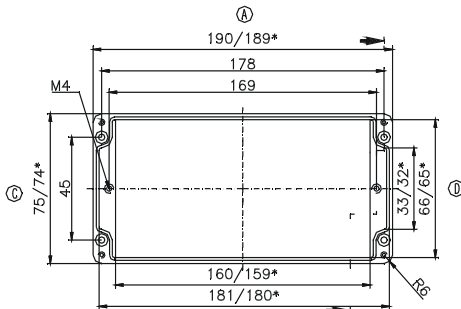


M	Corner dim.	Side		PG	Corner dim.	Side	
		A/B	C/D			A/B	C/D
12	17,25	20	4	7	17,25	20	4
16	25,30	8	1	9	21,85	15	2
20	27,60	7	1	11	25,30	8	1
25	37,95	4	1	13,5	27,60	7	1
32	48,30			16	31,05	6	1
40	60,95			21	37,95	4	
50	69,00			29	48,30		
63	74,75			36	60,95		
				42	69,00		
				48	74,75		

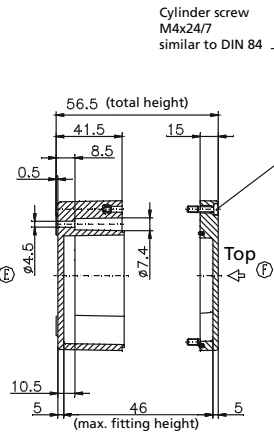
Lid



* = Conical form tapering downwards
Free dimensions-tolerance to DIN 16901 - 130



Base

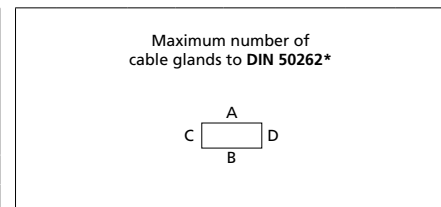


Type: **02.08 19 08**

External dimensions: **75 x 190 x 75 mm**

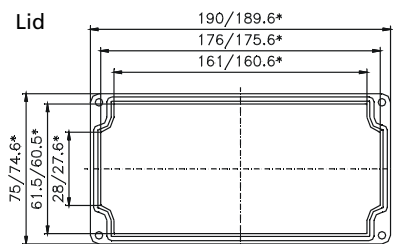
Weight: **620 g**

DIN rail length in mm	max. fitting length in mm	Mounting plate (thickness in mm)	External mounting brackets	External hinge* set	EMC version	Allen lid screws	Silicone lid seal	Sealable lid screws
TS 15								
174	159	2	•		•	•	•	•

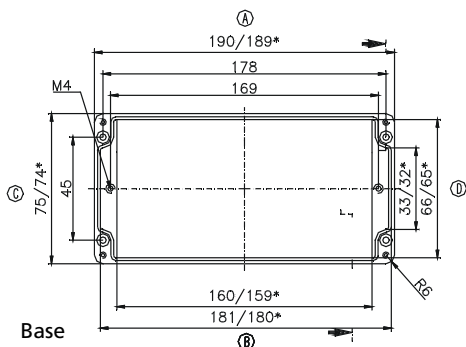


M	Corner dim.	Side		PG	Corner dim.	Side	
		A/B	C/D			A/B	C/D
12	17,25	28	6	7	17,25	27	5
16	25,30	12	2	9	21,85	18	3
20	27,60	12	2	11	25,30	12	2
25	37,95	5	1	13,5	27,60	12	2
32	48,30	3	1	16	31,05	10	1
40	60,95			21	37,95	5	1
50	69,00			29	48,30	3	
63	74,75			36	60,95		
				42	69,00		
				48	74,75		

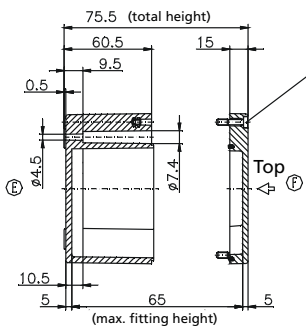
Lid



* = Conical form tapering downwards
Free dimensions-tolerance to DIN 16901 - 130



Base



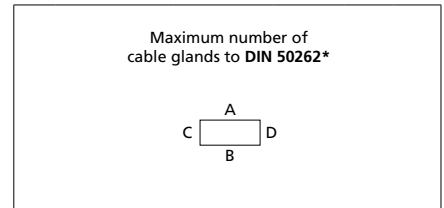
* Please quote mounting side

Type: **02.08 23 06**

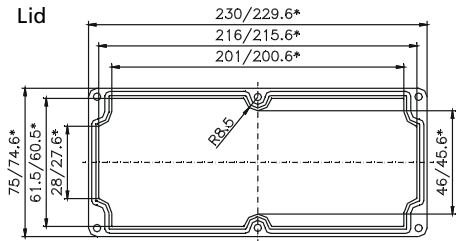
External dimensions: **75 x 230 x 56 mm**

Weight: **730 g**

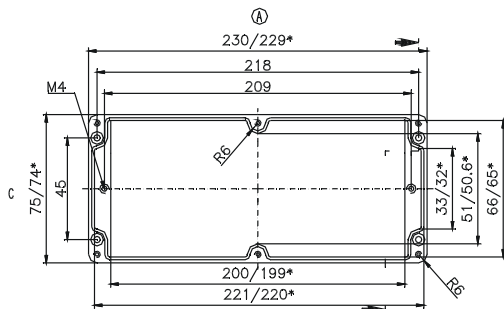
DIN rail length in mm	max. fitting length in mm	Mounting plate (thickness in mm)	External mounting brackets	External hinge* set	EMC version	Allen lid screws	Silicone lid seal	Sealable lid screws
TS 15								
218	199		•		•	•	•	•



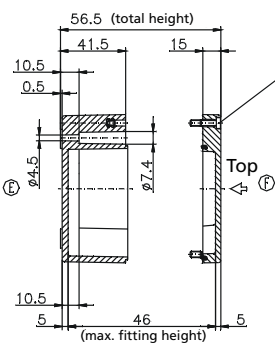
Lid



* = Conical form tapering downwards
Free dimensions-tolerance to DIN 16901 - 130



Base



Cylinder screw M4x24/7 similar to DIN 84

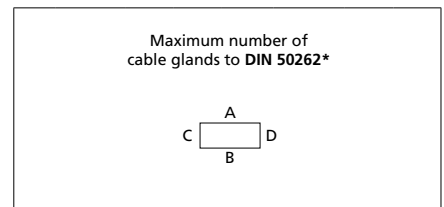
M	Corner dim.	Side		PG	Corner dim.	Side	
		A/B	C/D			A/B	C/D
12	17,25	22	3	7	17,25	20	3
16	25,30	10	1	9	21,85	14	1
20	27,60	8	1	11	25,30	8	1
25	37,95	4	1	13,5	27,60	8	1
32	48,30			16	31,05	6	1
40	60,95			21	37,95	4	1
50	69,00			29	48,30		
63	74,75			36	60,95		
				42	69,00		
				48	74,75		

Type: **02.08 23 08**

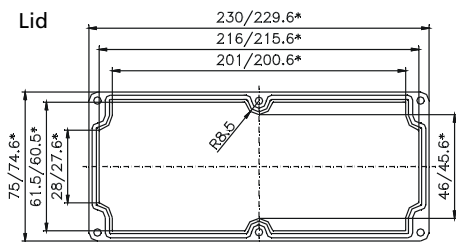
External dimensions: **75 x 230 x 75 mm**

Weight: **900 g**

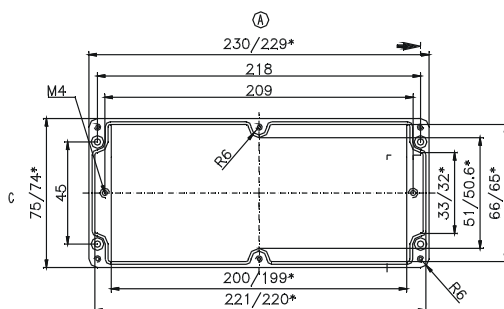
DIN rail length in mm	max. fitting length in mm	Mounting plate (thickness in mm)	External mounting brackets	External hinge* set	EMC version	Allen lid screws	Silicone lid seal	Sealable lid screws
TS 15								
218	199		•		•	•	•	•



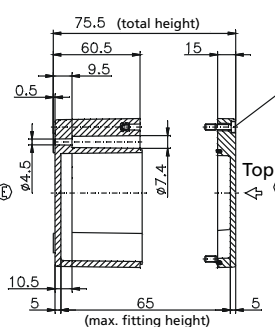
Lid



* = Conical form tapering downwards
Free dimensions-tolerance to DIN 16901 - 130



Base



Cylinder screw M4x24/7 similar to DIN 84

M	Corner dim.	Side		PG	Corner dim.	Side	
		A/B	C/D			A/B	C/D
12	17,25	30	6	7	17,25	30	6
16	25,30	16	2	9	21,85	18	3
20	27,60	12	2	11	25,30	16	2
25	37,95	6	1	13,5	27,60	12	2
32	48,30	4	1	16	31,05	10	1
40	60,95			21	37,95	6	1
50	69,00			29	48,30	4	
63	74,75			36	60,95		
				42	69,00		
				48	74,75		

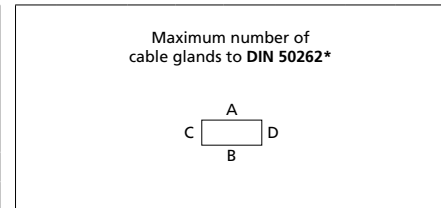
* Please quote mounting side

Type: **02.10 32 08**

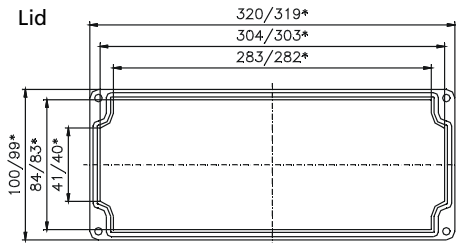
External dimensions: **100 x 320 x 81 mm**

Weight: **1450 g**

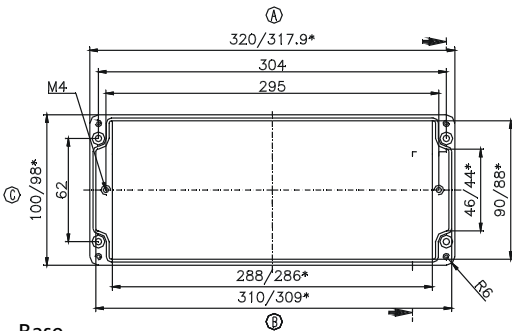
DIN rail length in mm	max. fitting length in mm	Mounting plate (thickness in mm)	External mounting brackets	External hinge* set	EMC version	Allen lid screws	Silicone lid seal	Sealable lid screws
TS 15								
304	285	1,5	•	•	•	•	•	•



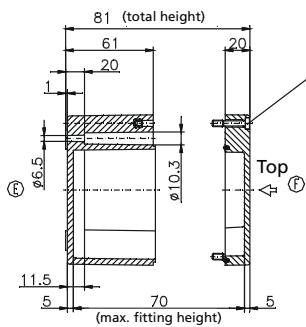
Lid



* = Conical form tapering downwards
Free dimensions-tolerance to DIN 16901 - 130



Base



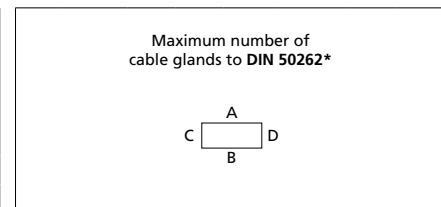
M	Corner dim.	Side		PG	Corner dim.	Side	
		A/B	C/D			A/B	C/D
12	17,25	48	6	7	17,25	48	6
16	25,30	23	4	9	21,85	33	4
20	27,60	20	2	11	25,30	22	4
25	37,95	9	1	13,5	27,60	20	2
32	48,30	6	1	16	31,05	17	1
40	60,95			21	37,95	9	1
50	69,00			29	48,30	6	1
63	74,75			36	60,95		
				42	69,00		
				48	74,75		

Type: **02.12 12 09**

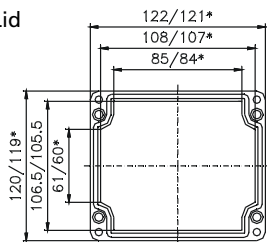
External dimensions: **120 x 122 x 91 mm**

Weight: **800 g**

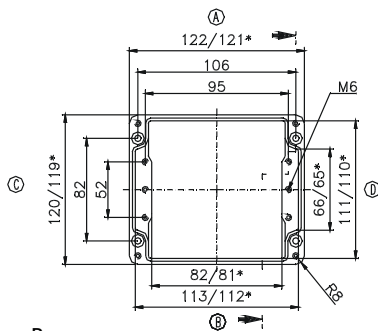
DIN rail length in mm	max. fitting length in mm	Mounting plate (thickness in mm)	External mounting brackets	External hinge* set	EMC version	Allen lid screws	Silicone lid seal	Sealable lid screws
TS 35								
107	85	1,5	•	•	•	•	•	•



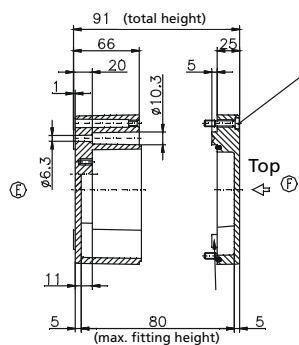
Lid



* = Conical form tapering downwards
Free dimensions-tolerance to DIN 16901 - 130



Base



M	Corner dim.	Side		PG	Corner dim.	Side	
		A/B	C/D			A/B	C/D
12	17,25	18	12	7	17,25	18	12
16	25,30	8	5	9	21,85	12	6
20	27,60	6	4	11	25,30	8	5
25	37,95	3	2	13,5	27,60	6	4
32	48,30	2	1	16	31,05	6	3
40	60,95	1	1	21	37,95	3	2
50	69,00			29	48,30	2	1
63	74,75			36	60,95	1	1
				42	69,00		
				48	74,75		

* Please quote mounting side

Type: **02.12 22 09**

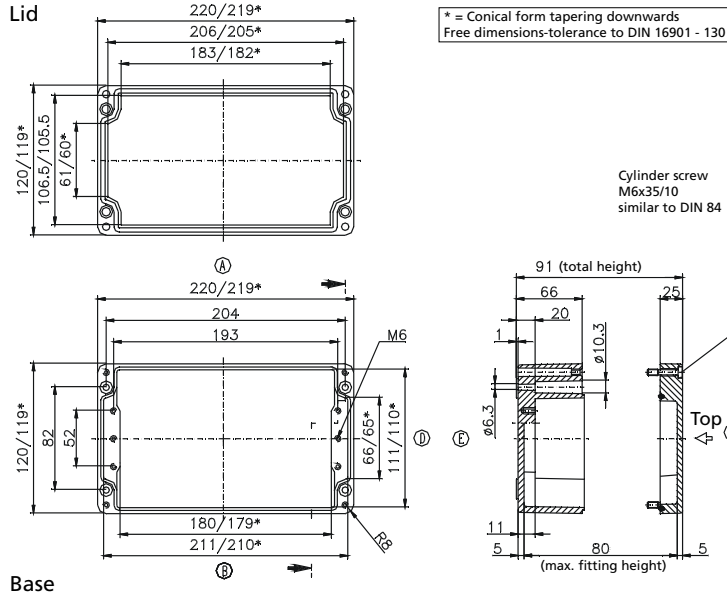
External dimensions: **120 x 220 x 91 mm**

Weight: **1280 g**

DIN rail length in mm	max. fitting length in mm	Mounting plate (thickness in mm)	External mounting brackets	External hinge* set	EMC version	Allen lid screws	Silicone lid seal	Sealable lid screws
TS 35								
205	183	1,5	•	•	•	•	•	•

Maximum number of cable glands to **DIN 50262***

M	Corner dim.	Side		PG	Corner dim.	Side	
		A/B	C/D			A/B	C/D
12	17,25	38	12	7	17,25	36	12
16	25,30	17	5	9	21,85	24	6
20	27,60	14	4	11	25,30	15	5
25	37,95	7	2	13,5	27,60	14	4
32	48,30	4	1	16	31,05	12	3
40	60,95	3	1	21	37,95	6	2
50	69,00			29	48,30	4	1
63	74,75			36	60,95	3	1
				42	69,00		
				48	74,75		



Type: **02.16 16 09**

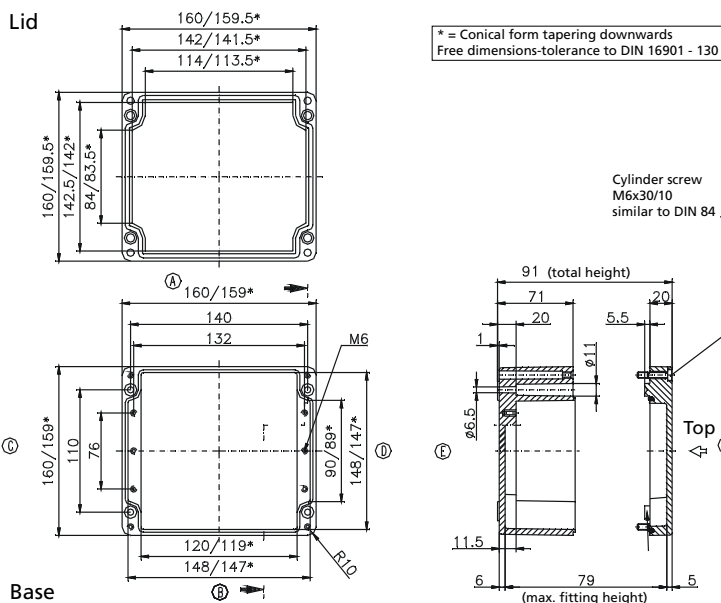
External dimensions: **160 x 160 x 91 mm**

Weight: **1280 g**

DIN rail length in mm	max. fitting length in mm	Mounting plate (thickness in mm)	External mounting brackets	External hinge* set	EMC version	Allen lid screws	Silicone lid seal	Sealable lid screws
TS 35								
144	122	1,5	•	•	•	•	•	•

Maximum number of cable glands to **DIN 50262***

M	Corner dim.	Side		PG	Corner dim.	Side	
		A/B	C/D			A/B	C/D
12	17,25	26	18	7	17,25	26	18
16	25,30	14	8	9	21,85	15	12
20	27,60	9	6	11	25,30	12	8
25	37,95	6	3	13,5	27,60	9	6
32	48,30	3	2	16	31,05	8	6
40	60,95	2	1	21	37,95	6	3
50	69,00	2	1	29	48,30	2	2
63	74,75			36	60,95	2	1
				42	69,00	1	
				48	74,75		



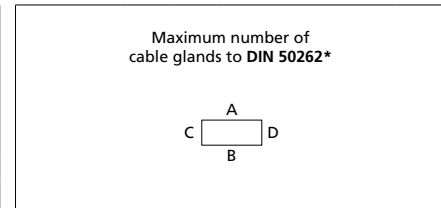
* Please quote mounting side

Type: **02.16 26 09**

External dimensions: **160 x 260 x 91 mm**

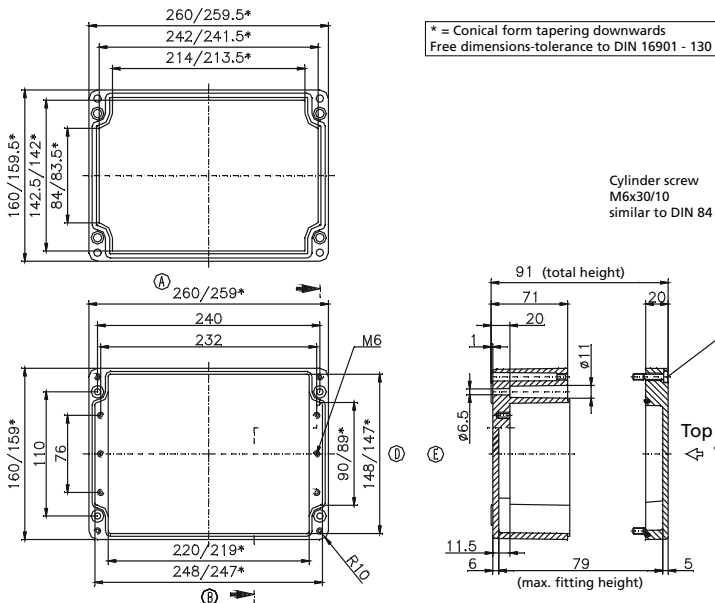
Weight: **1700 g**

DIN rail length in mm	max. fitting length in mm	Mounting plate (thickness in mm)	External mounting brackets	External hinge* set	EMC version	Allen lid screws	Silicone lid seal	Sealable lid screws
TS 35								
245	222	1,5	•	•	•	•	•	•



M	Corner dim.	Side		PG	Corner dim.	Side	
		A/B	C/D			A/B	C/D
12	17,25	50	16	7	17,25	50	15
16	25,30	26	8	9	21,85	30	11
20	27,60	17	6	11	25,30	21	6
25	37,95	11	3	13,5	27,60	17	6
32	48,30	5	2	16	31,05	14	5
40	60,95	3	1	21	37,95	11	3
50	69,00	3		29	48,30	5	2
63	74,75			36	60,95	3	1
				42	69,00		
				48	74,75		

Lid



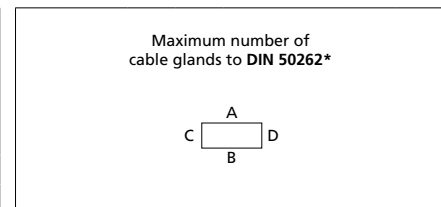
Base

Type: **02.16 36 09**

External dimensions: **160 x 360 x 91 mm**

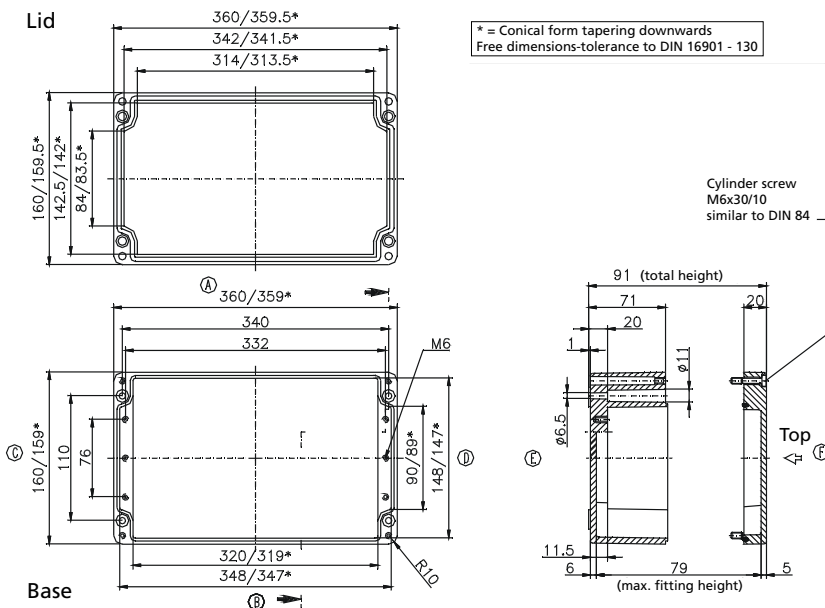
Weight: **2600 g**

DIN rail length in mm	max. fitting length in mm	Mounting plate (thickness in mm)	External mounting brackets	External hinge* set	EMC version	Allen lid screws	Silicone lid seal	Sealable lid screws
TS 35								
343	322	1,5	•	•	•	•	•	•



M	Corner dim.	Side		PG	Corner dim.	Side	
		A/B	C/D			A/B	C/D
12	17,25	72	18	7	17,25	72	18
16	25,30	38	8	9	21,85	42	12
20	27,60	26	6	11	25,30	36	8
25	37,95	16	3	13,5	27,60	26	6
32	48,30	7	2	16	31,05	20	6
40	60,95	5	1	21	37,95	16	3
50	69,00	4	1	29	48,30	7	2
63	74,75			36	60,95	5	1
				42	69,00		
				48	74,75		

Lid



Base

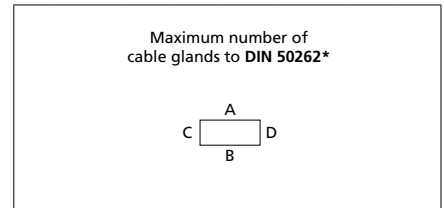
* Please quote mounting side

Type: **02.16 56 09**

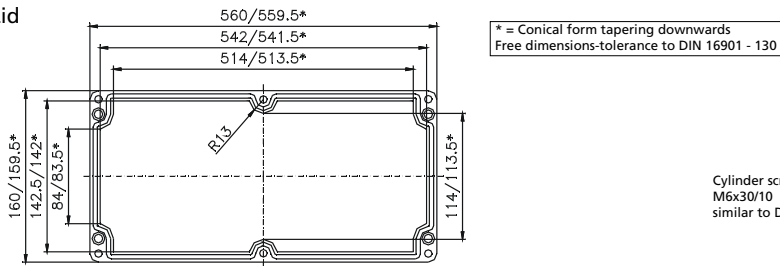
External dimensions: **160 x 560 x 91 mm**

Weight: **3360 g**

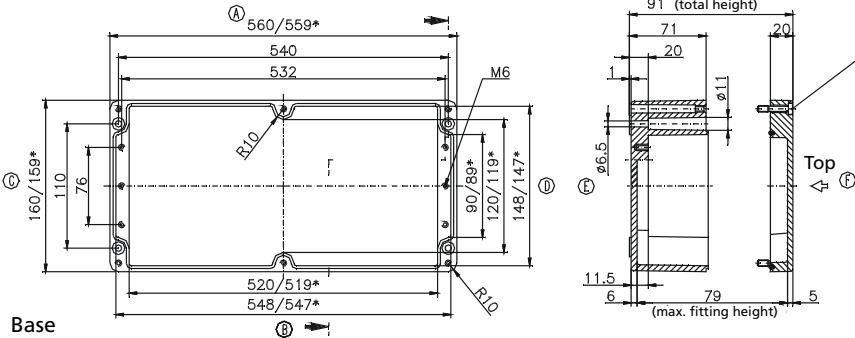
DIN rail length in mm	max. fitting length in mm	Mounting plate (thickness in mm)	External mounting brackets	External hinge* set	EMC version	Allen lid screws	Silicone lid seal	Sealable lid screws
TS 35								
543	522	2	•	•	•	•	•	•



Lid



Base



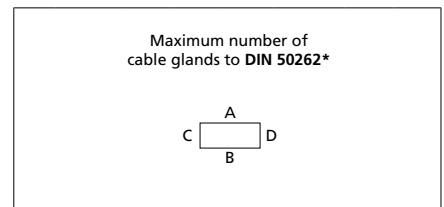
M	Corner dim.	Side		PG	Corner dim.	Side	
		A/B	C/D			A/B	C/D
12	17,25	112	18	7	17,25	112	18
16	25,30	58	8	9	21,85	66	12
20	27,60	40	6	11	25,30	52	8
25	37,95	24	3	13,5	27,60	40	6
32	48,30	12	2	16	31,05	32	6
40	60,95	8	1	21	37,95	22	3
50	69,00	6	1	29	48,30	10	2
63	74,75			36	60,95	8	1
				42	69,00	6	
				48	74,75		

Type: **02.25 26 12**

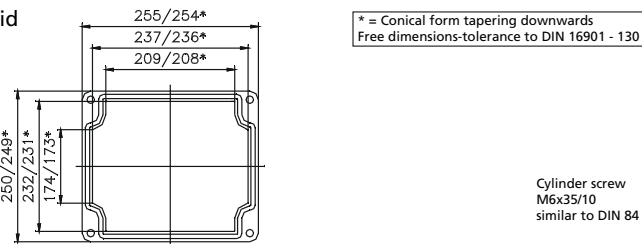
External dimensions: **250 x 255 x 121 mm**

Weight: **3066 g**

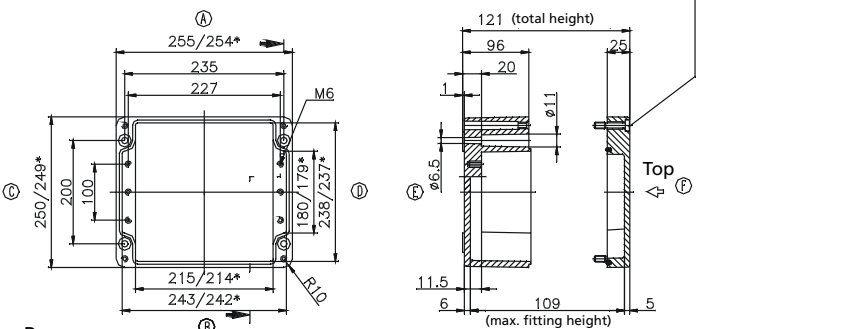
DIN rail length in mm	max. fitting length in mm	Mounting plate (thickness in mm)	External mounting brackets	External hinge* set	EMC version	Allen lid screws	Silicone lid seal	Sealable lid screws
TS 35								
238	217	2	•	•	•	•	•	•



Lid



Base



M	Corner dim.	Side		PG	Corner dim.	Side	
		A/B	C/D			A/B	C/D
12	17,25	69	51	7	17,25	69	51
16	25,30	32	24	9	21,85	40	32
20	27,60	24	18	11	25,30	32	24
25	37,95	12	10	13,5	27,60	24	18
32	48,30	8	7	16	31,05	21	17
40	60,95	4	3	21	37,95	12	9
50	69,00	3	3	29	48,30	8	6
63	74,75	3	2	36	60,95	4	3
				42	69,00	3	2
				48	74,75	3	2

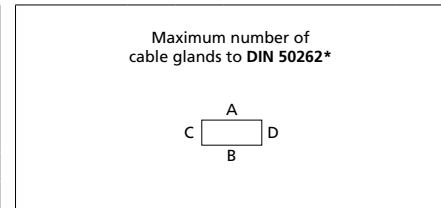
* Please quote mounting side

Type: **02.25 26 16**

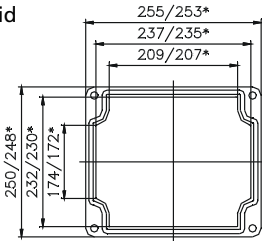
External dimensions: **250 x 255 x 161 mm**

Weight: **4060 g**

DIN rail length in mm	max. fitting length in mm	Mounting plate (thickness in mm)	External mounting brackets	External hinge* set	EMC version	Allen lid screws	Silicone lid seal	Sealable lid screws
TS 35								
238	217	2	•	•	•	•	•	

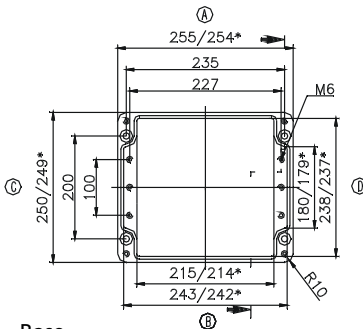
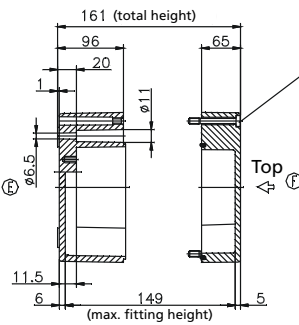


Lid



* = Conical form tapering downwards
Free dimensions-tolerance to DIN 16901 - 130

Cylinder screw M6x75/15 similar to DIN 84



Base

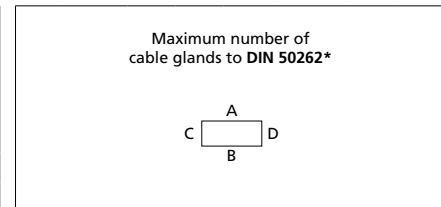
M	Corner dim.	Side		PG	Corner dim.	Side	
		A/B	C/D			A/B	C/D
12	17,25	69	51	7	17,25	69	51
16	25,30	32	24	9	21,85	40	32
20	27,60	24	18	11	25,30	32	24
25	37,95	12	10	13,5	27,60	24	18
32	48,30	8	7	16	31,05	21	17
40	60,95	4	3	21	37,95	12	9
50	69,00	3	3	29	48,30	8	6
63	74,75	3	2	36	60,95	4	3
				42	69,00	3	2
				48	74,75	3	2

Type: **02.25 40 12**

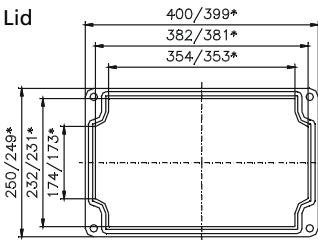
External dimensions: **250 x 400 x 121 mm**

Weight: **4700 g**

DIN rail length in mm	max. fitting length in mm	Mounting plate (thickness in mm)	External mounting brackets	External hinge* set	EMC version	Allen lid screws	Silicone lid seal	Sealable lid screws
TS 35								
381	362	2	•	•	•	•	•	•

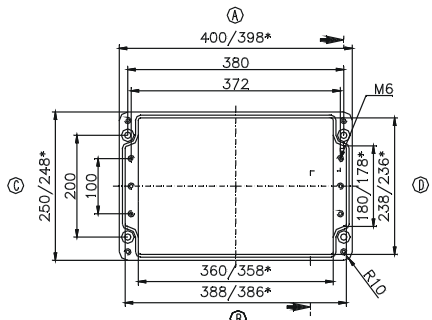
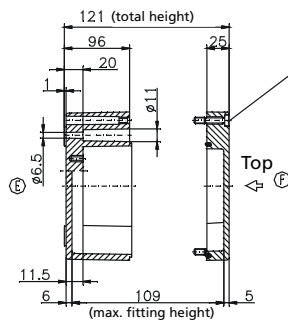


Lid



* = Conical form tapering downwards
Free dimensions-tolerance to DIN 16901 - 130

Cylinder screw M6x35/10 similar to DIN 84



Base

M	Corner dim.	Side		PG	Corner dim.	Side	
		A/B	C/D			A/B	C/D
12	17,25	117	50	7	17,25	114	50
16	25,30	56	22	9	21,85	68	32
20	27,60	27	18	11	25,30	56	21
25	37,95	21	10	13,5	27,60	40	18
32	48,30	14	6	16	31,05	33	17
40	60,95	7	3	21	37,95	21	9
50	69,00	5	2	29	48,30	14	5
63	74,75	5	2	36	60,95	7	3
				42	69,00	5	2
				48	74,75	5	2

* Please quote mounting side

Type: **02.25 40 16**

External dimensions: **250 x 400 x 161 mm**

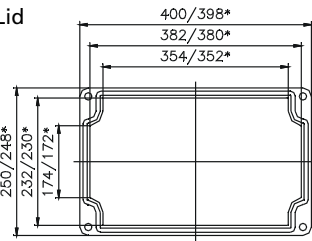
Weight: **5440 g**

DIN rail length in mm	max. fitting length in mm	Mounting plate (thickness in mm)	External mounting brackets	External hinge* set	EMC version	Allen lid screws	Silicone lid seal	Sealable lid screws
TS 35								
381	362	2	•	•	•	•	•	

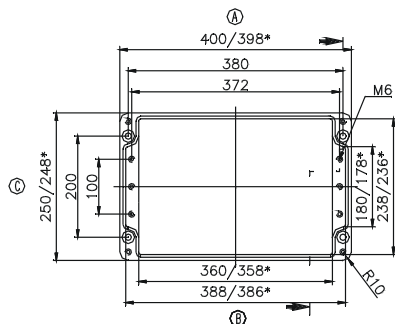
Maximum number of cable glands to DIN 50262*

M	Corner dim.	Side		PG	Corner dim.	Side	
		A/B	C/D			A/B	C/D
12	17,25	117	50	7	17,25	114	50
16	25,30	56	24	9	21,85	68	32
20	27,60	42	18	11	25,30	56	22
25	37,95	21	10	13,5	27,60	40	18
32	48,30	14	7	16	31,05	33	17
40	60,95	7	3	21	37,95	21	9
50	69,00	5	3	29	48,30	14	6
63	74,75	5	2	36	60,95	7	3
				42	69,00	5	2
				48	74,75	5	2

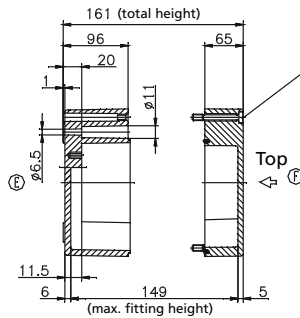
Lid



* = Conical form tapering downwards
Free dimensions-tolerance to DIN 16901 - 130



Base



Cylinder screw
M6x75/15
similar to DIN 84

Type: **02.25 60 12**

External dimensions: **250 x 600 x 121 mm**

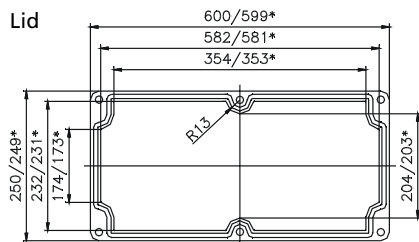
Weight: **6670 g**

DIN rail length in mm	max. fitting length in mm	Mounting plate (thickness in mm)	External mounting brackets	External hinge* set	EMC version	Allen lid screws	Silicone lid seal	Sealable lid screws
TS 35								
581	562	2	•	•	•	•	•	•

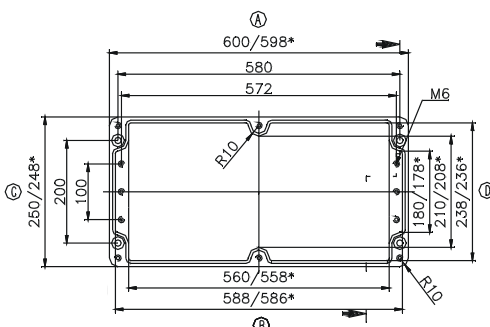
Maximum number of cable glands to DIN 50262*

M	Corner dim.	Side		PG	Corner dim.	Side	
		A/B	C/D			A/B	C/D
12	17,25	174	50	7	17,25	174	50
16	25,30	84	24	9	21,85	100	32
20	27,60	60	18	11	25,30	80	22
25	37,95	30	10	13,5	27,60	60	18
32	48,30	20	7	16	31,05	48	17
40	60,95	10	3	21	37,95	30	9
50	69,00	8	3	29	48,30	20	6
63	74,75	6	2	36	60,95	10	3
				42	69,00	8	2
				48	74,75	6	2

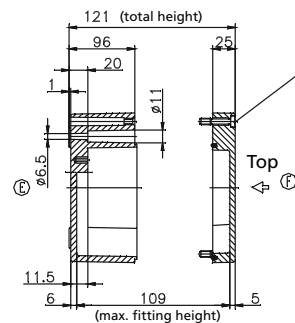
Lid



* = Conical form tapering downwards
Free dimensions-tolerance to DIN 16901 - 130



Base



Cylinder screw
M6x35/10
similar to DIN 84

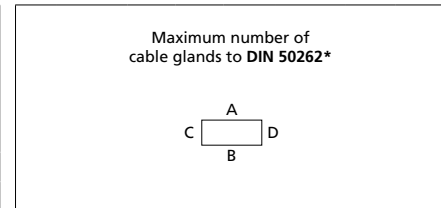
* Please quote mounting side

Type: **02.36 36 09**

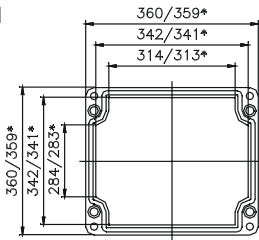
External dimensions: **360 x 360 x 91 mm**

Weight: **4700 g**

DIN rail length in mm	max. fitting length in mm	Mounting plate (thickness in mm)	External mounting brackets	External hinge* set	EMC version	Allen lid screws	Silicone lid seal	Sealable lid screws
TS 35								
343	320	2	•	•	•	•	•	•

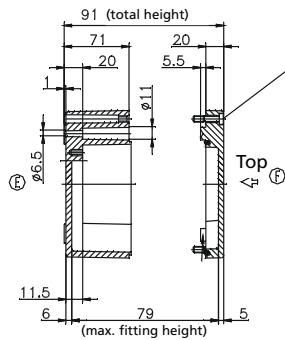


Lid

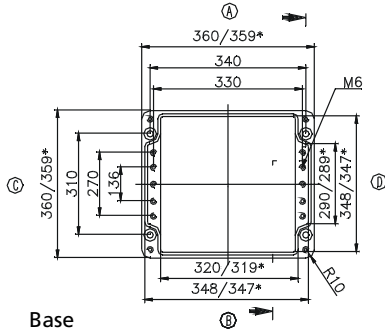


* = Conical form tapering downwards
Free dimensions-tolerance to DIN 16901 - 130

Cylinder screw
M6x30/10
similar to DIN 84



Base



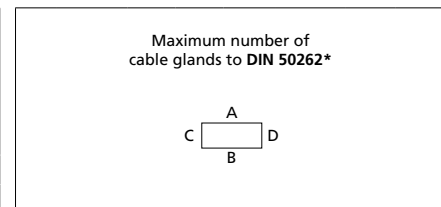
M	Corner dim.	Side		PG	Corner dim.	Side	
		A/B	C/D			A/B	C/D
12	17,25	72	52	7	17,25	72	52
16	25,30	38	24	9	21,85	42	38
20	27,60	26	20	11	25,30	33	23
25	37,95	16	10	13,5	27,60	26	20
32	48,30	7	6	16	31,05	20	18
40	60,95	5	5	21	37,95	15	9
50	69,00	4		29	48,30	7	6
63	74,75			36	60,95	5	4
				42	69,00	4	
				48	74,75		

Type: **02.41 40 12**

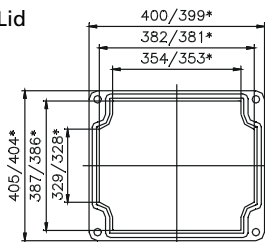
External dimensions: **405 x 400 x 121 mm**

Weight: **7120 g**

DIN rail length in mm	max. fitting length in mm	Mounting plate (thickness in mm)	External mounting brackets	External hinge* set	EMC version	Allen lid screws	Silicone lid seal	Sealable lid screws
TS 35								
381	362	2	•	•	•	•	•	•

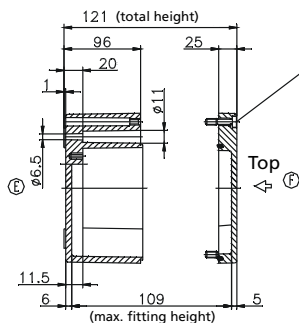


Lid

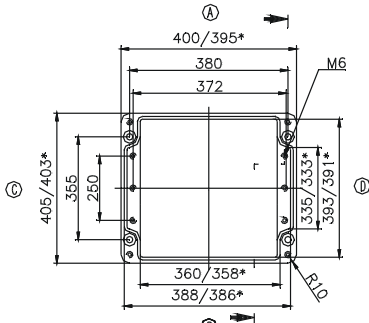


* = Conical form tapering downwards
Free dimensions-tolerance to DIN 16901 - 130

Cylinder screw
M6x30/10
similar to DIN 84



Base



M	Corner dim.	Side		PG	Corner dim.	Side	
		A/B	C/D			A/B	C/D
12	17,25	117	95	7	17,25	114	95
16	25,30	56	46	9	21,85	68	60
20	27,60	42	36	11	25,30	56	44
25	37,95	21	18	13,5	27,60	40	36
32	48,30	14	13	16	31,05	33	32
40	60,95	7	6	21	37,95	21	18
50	69,00	5	5	29	48,30	14	12
63	74,75	5	4	36	60,95	7	6
				42	69,00	5	5
				48	74,75	5	4

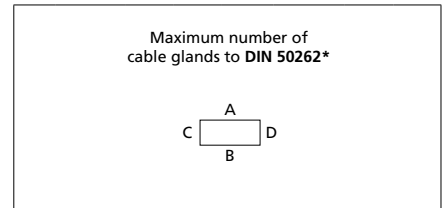
* Please quote mounting side

Type: **02.41 40 20**

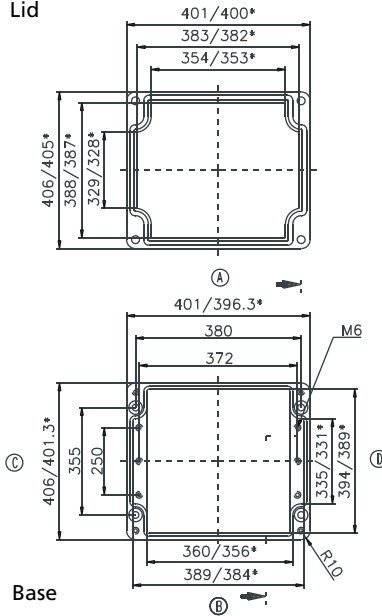
External dimensions: **406 x 401 x 201 mm**

Weight: **6800 g**

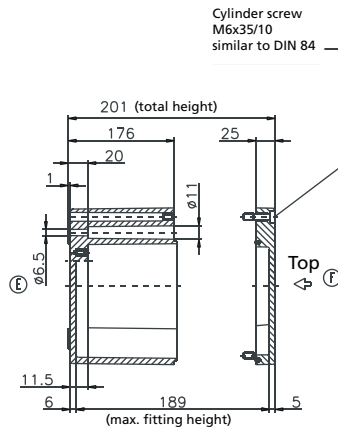
DIN rail length in mm	max fitting length in mm	Mounting plate (thickness in mm)	External mounting brackets	External hinge* set	EMC version	Allen lid screws	Silicone lid seal	Sealable lid screws
TS 35								
381	362	2	•	•	•	•	•	•



Lid

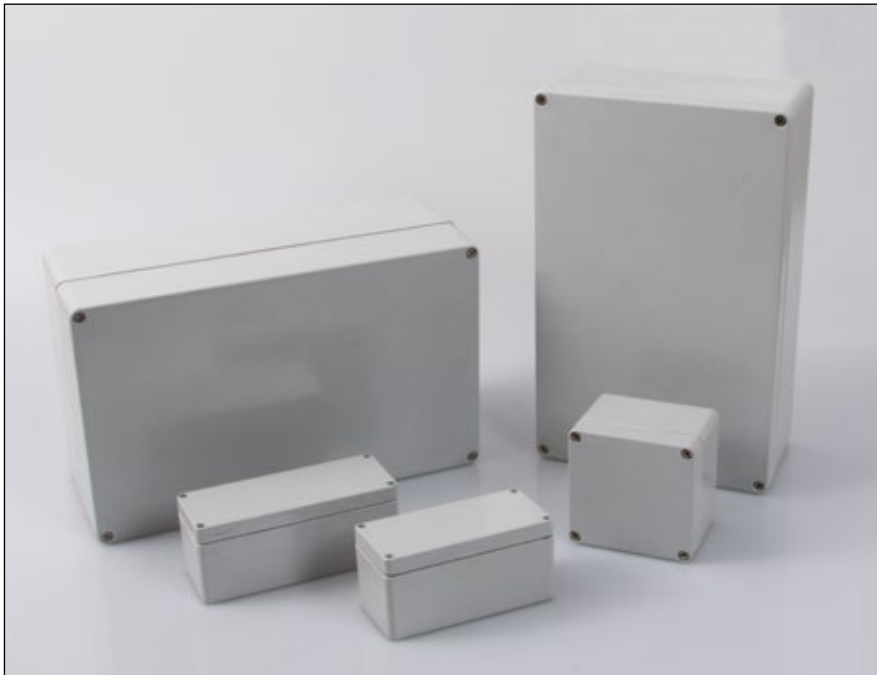


* = Conical form tapering downwards
Free dimensions-tolerance to DIN 16901 - 130



M	Corner dim.	Side		PG	Corner dim.	Side	
		A/B	C/D			A/B	C/D
12	17,25	210	190	7	17,25	205	190
16	25,30	98	91	9	21,85	128	120
20	27,60	88	77	11	25,30	98	91
25	37,95	45	43	13,5	27,60	88	77
32	48,30	28	26	16	31,05	66	63
40	60,95	17	15	21	37,95	45	40
50	69,00	12	11	29	48,30	28	24
63	74,75	9	8	36	60,95	17	15
				42	69,00	11	11
				48	74,75	10	8

* Please quote mounting side



- Robust plastic enclosure for railway industry
- Universal construction for multifunctional use
- Certificated acc. to EN 45545

Technical data

Material:

glass fibre reinforced duroplastic polyester

Colour:

similar to RAL 7047

Ingress protection:

IP 66

IK Code:

07 acc. to IEC 62262

Lateral flame spread:

HL 3 acc. to EN 45545

Rate of heat dispersion:

HL 3 acc. to EN 45545

Smoke gas concentration:

HL 3 acc. to EN 45545

Smoke gas density:

HL 2 acc. to EN 45545

Temperature range:

-40°C to +130°C with silicone seal

Included in delivery

Plastic enclosure in glass fibre reinforced polyester consisting of lid, seal, incl. captive +/-stainless steel screws, base with 2 or 4 earthing screws

Polyester Railway Enclosure

Product range

Order No.	Type	Dimensions (mm) H x W x D
62.08 11 06	POB 62030	75 x 110 x 56
62.08 16 08	POB 62045	75 x 160 x 75
62.08 19 08	POB 62055	75 x 190 x 75
62.12 12 09	POB 62075	120 x 122 x 91
62.12 22 09	POB 62080	120 x 220 x 91
62.16 16 09	POB 62085	160 x 160 x 91
62.16 26 09	POB 62090	160 x 260 x 91
62.25 26 12	POB 62105	250 x 255 x 121
62.25 40 12	POB 62115	250 x 400 x 121
62.25 40 16	POB 62120	250 x 400 x 161

Accessories

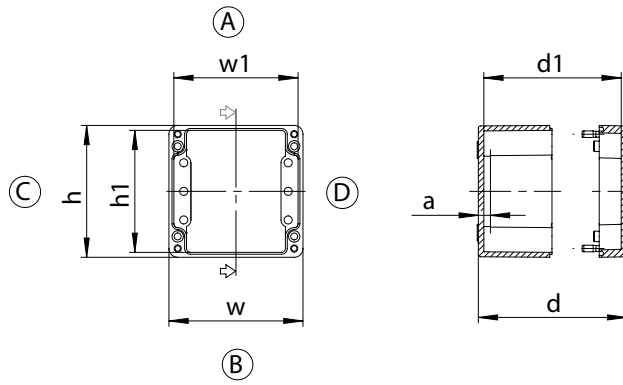
Order No.	DIN rail for terminals TS 15 / TS 35	Mounting plate	External hinge	External mounting brackets	Sealable lid screws
62.08 11 06	•	•	•	•	•
62.08 16 08	•	•	•	•	•
62.08 19 08	•	•	•	•	•
62.12 12 09	•	•	•	•	•
62.12 22 09	•	•	•	•	•
62.16 16 09	•	•	•	•	•
62.16 26 09	•	•	•	•	•
62.25 26 12	•	•	•	•	•
62.25 40 12	•	•	•	•	•
62.25 40 16	•	•	•	•	•



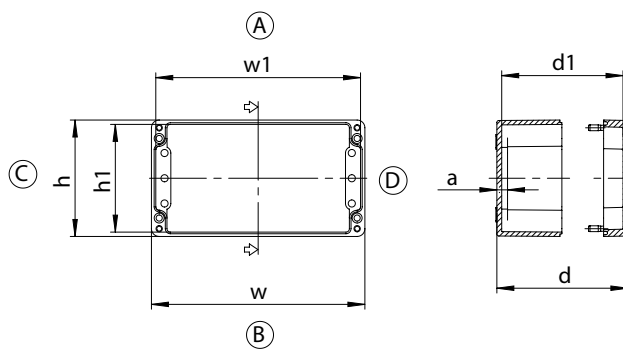
Enclosures will be delivered standardly with silicone seal.

Dimensions

Order No.	h	w	d	h1	w1	d1	a
62.12 12 09	122	120	91	113	111	80	5
62.16 16 09	160	160	91	148	148	79	6

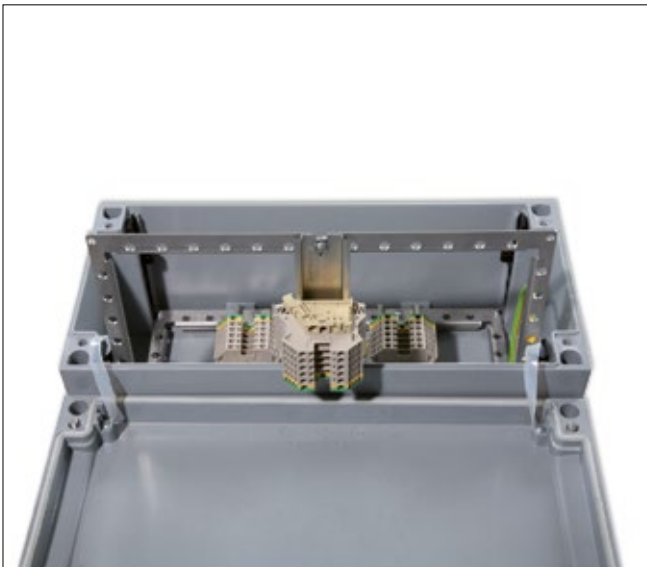


Order No.	h	w	d	h1	w1	d1	a
62.08 11 06	110	75	56	101	66	46	5
62.08 16 08	160	75	75	151	66	65	5
62.08 19 08	190	75	75	181	66	65	5
62.16 26 09	260	160	91	248	148	79	6
62.12 22 09	220	120	91	211	111	80	5
62.25 26 12	255	250	121	243	238	109	6
62.25 40 12	400	250	121	388	238	109	6
62.25 40 16	400	250	161	388	238	149	6



Polyester CombiBox

Applications





- Polyester GRP enclosure systems of polyester resin for industrial application
- Two level fitting possibility
- Combination of several enclosures by connecting flange

Including in delivery:

Enclosure consisting of lid and base with screws, individual system and height adjustment of mounting frame and mounting plate by 4 fixing elements

Technical data

Material:

glass fibre reinforced duroplastic Polyester

Colour:

RAL 7000, squirrel grey

special colour on request

Ingress protection:

IP 66, EN 60529

Impact resistance:

7 Joule, EN 60079-0

Flammability:

self-extinguishing, UL 94/V0

Surface resistance:

$>10^{12}$ Ohm, IEC 60093

Disruptive strength:

18 KV/mm, IEC 60243-1

Insulation:

fully insulated to VDE 0100

Toxicity:

halogen free

Temperature range:

PU (polyurethane) seal: -40°C to +90°C

CR (chloroprene) seal: -40°C to +100°C

VMQ (silicone) seal (optional): -60°C to +130°C

Polyester CombiBox

Product range

Order No.	Order No. EMC version	Type	Dimensions (mm)
02.01 22 15	02.02 22 15	CombiBox 1	177 x 177 x 145
02.01 24 15	02.02 24 15	CombiBox 2	360 x 177 x 145
02.01 44 15	02.02 44 15	CombiBox 3	360 x 360 x 145

Accessories

02.01 99 01	Flange
02.01 99 02	Mounting frame 177 x 177 mm CombiBox 1
02.01 99 03	Mounting frame 177 x 360 mm CombiBox 2
02.01 99 04	Mounting frame 360 x 360 mm CombiBox 3
02.01 99 05	Mounting frame fastening set
02.01 99 06	Lid safety strip
02.01 99 07	Well nut set
02.01 99 10	Mounting plate CombiBox 1
02.01 99 11	Mounting plate CombiBox 2
02.01 99 12	Mounting plate CombiBox 3
10.06 14 85	DIN rail TS 35/7.5 160 mm
10.06 14 86	DIN rail TS 35/7.5 110 mm
10.06 14 87	DIN rail TS 35/7.5 145 mm
10.06 14 88	DIN rail TS 35/7.5 293 mm
10.06 14 94	Bearer plate CombiBox 110
10.06 14 95	Bearer plate CombiBox 360
10.06 14 96	Bearer plate CombiBox 360 long

Terminal mounting

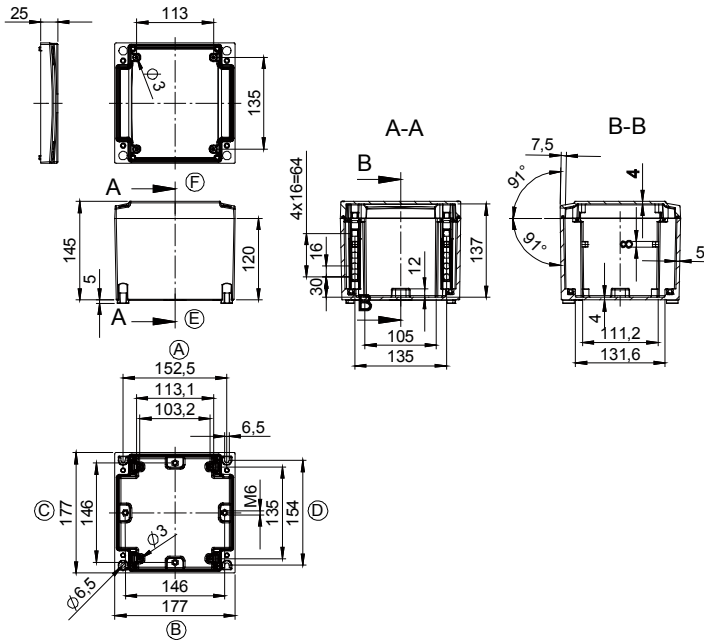
	Phoenix													Earthing bar 2.5 mm ² with cable lug max. 10 mm ²	Earthing screw M4 with cable lug max. 6 mm ²	M6 with cable lug max. 35 mm ²	Earth connections as required	
	DIN rail TS 15	DIN rail TS 35	Voltage (V)	Current (A)	Nom. cross section (mm ²)	Terminal width (mm)	Terminal type	Type	02.01 22 15	02.01 24 15	02.01 44 15							
	X	X																
			X	X	X	X	X	X	X	X	X	X						
	500	500	1000	1000	1000	1000	1000	1000	1000	1000	1000	1000						
	24	32	24	32	41	57	76	125	150	232	309	415						
	2,5	4	2,5	4	6	10	16	35	50	95	150	240						
	5,2	6,2	5,2	6,2	8,2	10,2	12,2	16	20	25	31	36						
	MUT 2,5	MUT 4	UT 2,5	UT 4	UT 6	UT 10	UT 16	UT 35	UKH 50	UKH 95	UKH 150	UKH 240						
	18	15	18	15	11	9	7	6										
	53	45	53	45	34	27	22	18										
	212	135	212	135	102	81	44	36	28	11	11							

Type: **02.01 22 15**

External dimensions: **177 x 177 x 145 mm**

Weight: **1700 g**

DIN rail length in mm	max. fitting length in mm	Mounting plate (thickness in mm)	External mounting brackets	Lid safety strip	EMC version	Allen lid screws	Silicone lid seal	Sealable lid screws
TS 35								
152	115	1,5		•	•		•	



Maximum number of cable glands to DIN 50262*

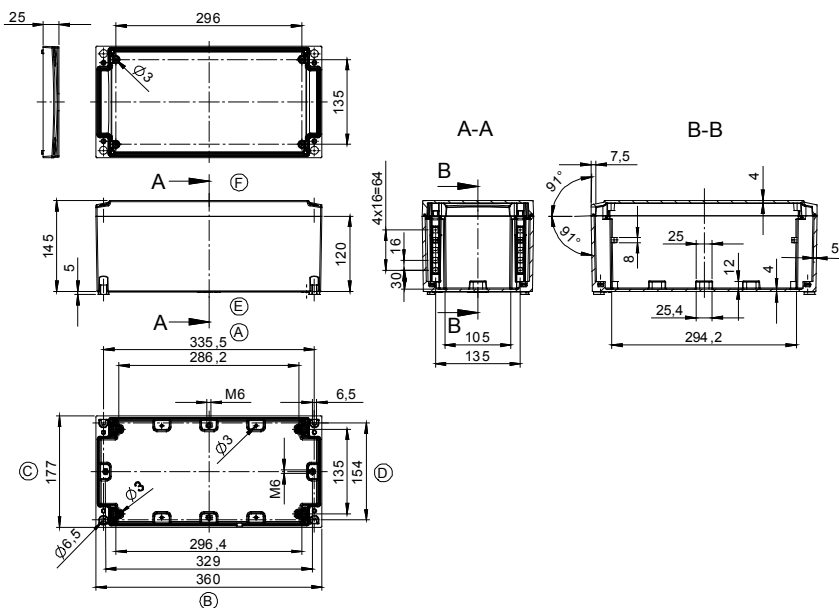
M	Corner dim.	Side		PG	Corner dim.	Side	
		A/B	C/D			A/B	C/D
12	17,25	36	36	7	17,25	36	36
16	25,30	16	16	9	21,85	20	20
20	27,60	12	12	11	25,30	16	16
25	37,95	6	6	13,5	27,60	12	12
32	48,30	4	4	16	31,05	10	10
40	60,95	2	2	21	37,95	6	6
50	69,00	1	1	29	48,30	4	4
63	74,75	1	1	36	60,95	2	2
				42	69,00	1	1
				48	74,75	1	1

Type: **02.01 24 15**

External dimensions: **360 x 177 x 145 mm**

Weight: **2681 g**

DIN rail length in mm	max. fitting length in mm	Mounting plate (thickness in mm)	External mounting brackets	Lid safety strip	EMC version	Allen lid screws	Silicone lid seal	Sealable lid screws
TS 35								
333	285	1,5		•	•		•	



Maximum number of cable glands to DIN 50262*

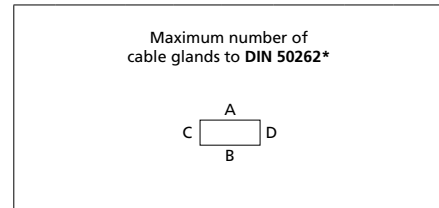
M	Corner dim.	Side		PG	Corner dim.	Side	
		A/B	C/D			A/B	C/D
12	17,25	109	36	7	17,25	109	36
16	25,30	50	16	9	21,85	65	20
20	27,60	40	12	11	25,30	48	16
25	37,95	21	6	13,5	27,60	40	12
32	48,30	12	4	16	31,05	32	10
40	60,95	9	2	21	37,95	21	6
50	69,00	5	1	29	48,30	12	4
63	74,75	4	1	36	60,95	7	2
				42	69,00	5	1
				48	74,75	4	1

Type: **02.01 44 15**

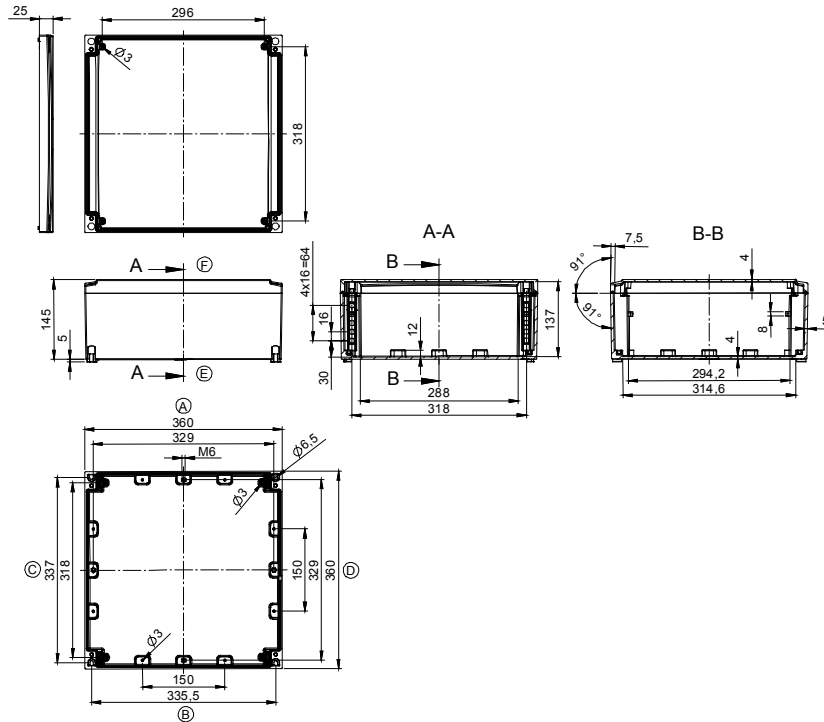
External dimensions: **360 x 360 x 145 mm**

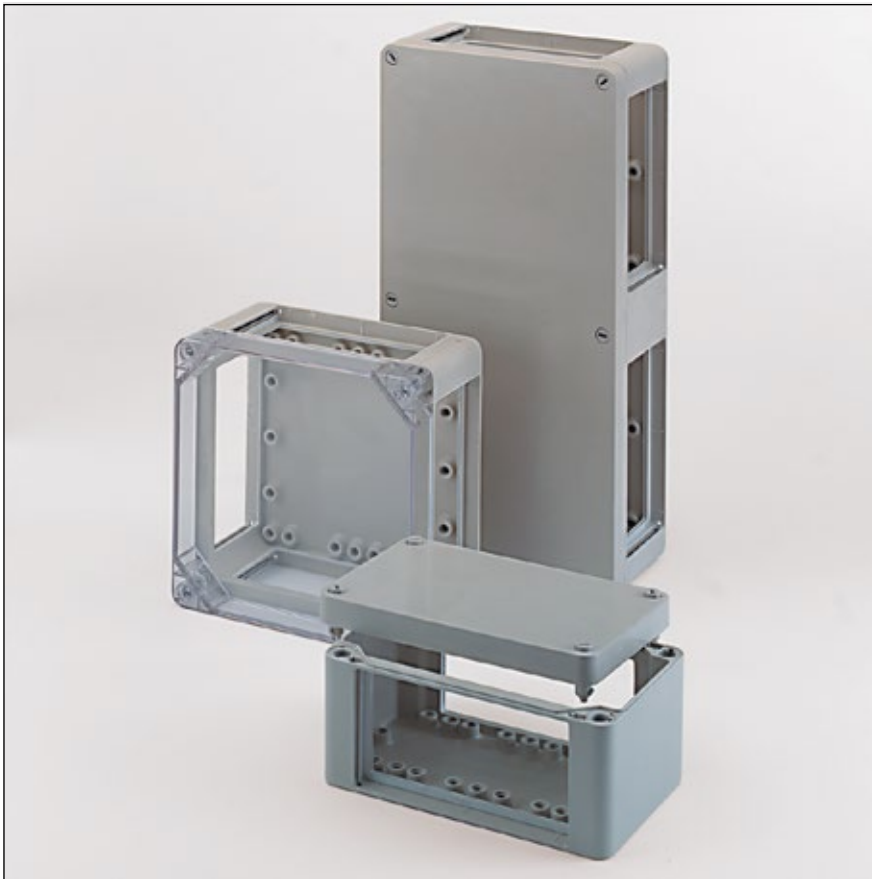
Weight: **4025 g**

DIN rail length in mm	max fitting length in mm	Mounting plate (thickness in mm)	External mounting brackets	Lid safety strip	EMC version	Allen lid screws	Silicone lid seal	Sealable lid screws
TS 35								
333	285	1,5		•	•		•	



M	Corner dim.	Side		PG	Corner dim.	Side	
		A/B	C/D			A/B	C/D
12	17,25	109	109	7	17,25	109	109
16	25,30	50	50	9	21,85	65	65
20	27,60	40	40	11	25,30	48	48
25	37,95	21	21	13,5	27,60	40	40
32	48,30	12	12	16	31,05	32	32
40	60,95	9	9	21	37,95	21	21
50	69,00	5	5	29	48,30	12	12
63	74,75	4	4	36	60,95	7	7
				42	69,00	5	5
				48	74,75	4	4





Technical data

Material:

glass fibre reinforced duroplastic polyester
transparent lid: polycarbonate

Colour:

RAL 7032, pebble grey

Ingress protection:

IP 65 to EN 60529

Impact resistance:

7 Joule to EN 60079-0

Flammability:

enclosure: V0 / self-extinguishing, UL 94
transparent lid: V2 / UL 94

Insulation:

fully insulated VDE 0100

Disruptive strength:

enclosure: 24KV/mm / IEC 60243-1
transparent lid: >30 KV/mm / IEC 60243-1

Toxicity:

halogen-free

Surface resistance:

enclosure: >10¹¹ Ohm / IEC 60093
transparent lid: >10¹⁵ Ohm / IEC 60093

Temperature range:

PU (polyurethane) seal:
-40°C to +90°C (enclosure)
-40°C to +100°C (lid)
CR (chloroprene) seal: -40°C to +100°C
VMQ (silicone) seal: -60°C to +130°C

- Plastic enclosure with flange openings for automation technology
- Combination options with other polyester flange enclosures
- Snap lock technology

Included in delivery

Plastic enclosure in glass fibre reinforced polyester, consisting of lid, seal, plastic quick-release fastener screws, base with flange openings.

(Please order flange plate separately)
Threaded insert set (4 pcs.)

Polyester Flange

Product range

Order No.	W x L x H (mm)	Flange openings	Mounting plate	Front plate on stud bolt	DIN rail* TS 35	Earth rail	Silicone lid seal 130°
14.01 00 00	170 x 270 x 136	2	14.00 00 11	14.00 00 27	10.06 17 21	10.06 21 01	10.05 15 01
14.02 00 00	270 x 270 x 136	4	14.00 00 12	14.00 00 28	10.06 17 22	10.06 21 01	10.05 15 02
14.03 00 00	270 x 541 x 136	6	14.00 00 13	14.00 00 29	10.06 17 23	10.06 21 02	10.05 15 03
Version with polycarbonate transparent lid							
14.01 00 01	170 x 270 x 150	2	14.00 00 11	14.00 00 27	10.06 17 21	10.06 21 01	10.05 15 01
14.02 00 01	270 x 270 x 150	4	14.00 00 12	14.00 00 28	10.06 17 22	10.06 21 01	10.05 15 02
14.03 00 01	270 x 540 x 150	6	14.00 00 13	14.00 00 29	10.06 17 23	10.06 21 02	10.05 15 03

* TS 32 on request

Flange and accessories (for all types)

Blind flange (for individual machining)	14.00 00 20	Lid hinges (2 pcs.) retrofitting for all types	14.00 00 26
Threaded flange (17 x PG 11)	14.00 00 30	External mounting brackets (4 pcs.)	10.03 11 02
Threaded flange (14 x PG 13,5)	14.00 00 22	Threaded inserts (10 pcs.) additional	10.03 50 02
Threaded flange (11 x PG 16)	14.00 00 21	Silicone seal for flanges	10.05 14 02
Threaded flange (4 x PG 16; 2 x PG 21; 1 x PG 29)	14.00 00 23	Silicone seal for connection flange	10.05 14 03
Connection flange	14.00 00 25		

Terminal mounting

	Phoenix												Earthing bar 2.5 mm ² with cable lug max. 10 mm ²	Earthing screw M4 with cable lug max. 6 mm ²	M6 with cable lug max. 35 mm ²	Earth connections as required	
	DIN rail TS 15	X	X														
DIN rail TS 35			X	X	X	X	X	X	X	X	X	X					
Voltage (V)	500	500	1000	1000	1000	1000	1000	1000	1000	1000	1000	1000					
Current (A)	24	32	24	32	41	57	76	125	150	232	309	415					
Nom. cross section (mm ²)	2,5	4	2,5	4	6	10	16	35	50	95	150	240					
Terminal width (mm)	5,2	6,2	5,2	6,2	8,2	10,2	12,2	16	20	25	31	36					
Terminal type																	
Type	MUT 2,5	MUT 4	UT 2,5	UT 4	UT 6	UT 10	UT 16	UT 35	UKH 50	UKH 95	UKH 150	UKH 240					
14.01 00 . .	44	37	44	37	28	22	18	15									20
14.02 00 . .	88	74	88	74	56	44	36	30									20
14.03 00 . .	192	160	192	160	122	98	82	64	50								40

Accessories



Blind flange
weight: 225 g

Order No.	Version
14.00 00 20	without holes



Threaded flange
with pre-embossed PG holes
with metric pre-embossing on request

Order No.	Version
14.00 00 30	17 x PG 11
14.00 00 22	14 x PG 13,5
14.00 00 21	11 x PG 16
14.00 00 23	4 x PG 16; 2 x PG 21; 1 x PG 29



Connection flange
to connect two polyester flange enclosures

Order No. **14.00 00 25**



Lid hinges
set = 2 pcs., retrofittable to all polyester flange enclosures

Order No. **14.00 00 26**

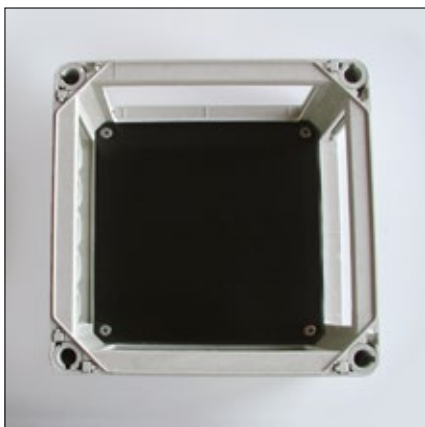
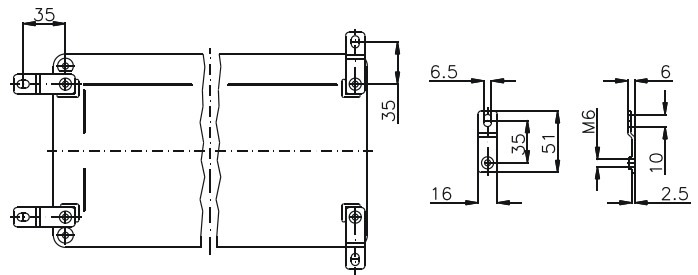
Polyester Flange

Accessories



External mounting brackets
set = 4 pcs.

Order No. **10.03 11 02**



Mounting plates
for fitting electro-mechanical components

Order-No.	Type
14.00 00 11	14.01
14.00 00 12	14.02
14.00 00 13	14.03



Front plate
with stud bolts and fastening screws
(for dimensions, refer to mounting plate)

Order-No.	Type
14.00 00 27	14.01
14.00 00 28	14.02
14.00 00 29	14.03

Type: **14.01 . .**

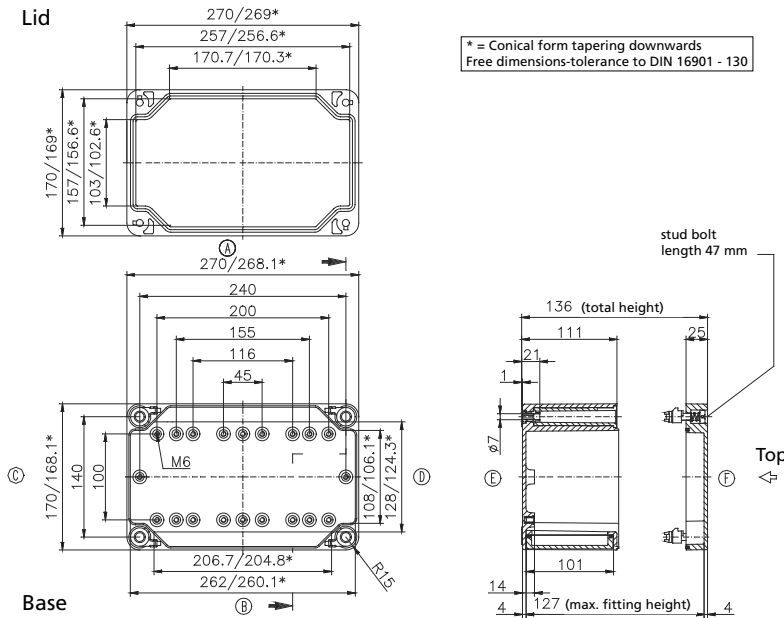
External dimensions: **170 x 270 x 136 mm**

Weight: **2140 g**

DIN rail length in mm	max. fitting length in mm	Mounting plate (thickness in mm)	External mounting bracket	Lid hinges	No. of flanges			
TS 15/35								
255	240	3	•	•	2			

Maximum number of cable glands to DIN 50262*

M	Corner dim.	Side		PG	Corner dim.	Side	
		A/B	C/D			A/B	C/D
12	17,25	63	33	7	17,25	63	33
16	25,30	28	16	9	21,85	38	20
20	27,60	22	12	11	25,30	28	14
25	37,95	12	6	13,5	27,60	22	12
32	48,30	8	4	16	31,05	18	9
40	60,95	3	2	21	37,95	11	6
50	69,00	3	1	29	48,30	8	4
63	74,75	2	1	36	60,95	3	2
				42	69,00	3	1
				48	74,75	2	1



Type: **14.02 . .**

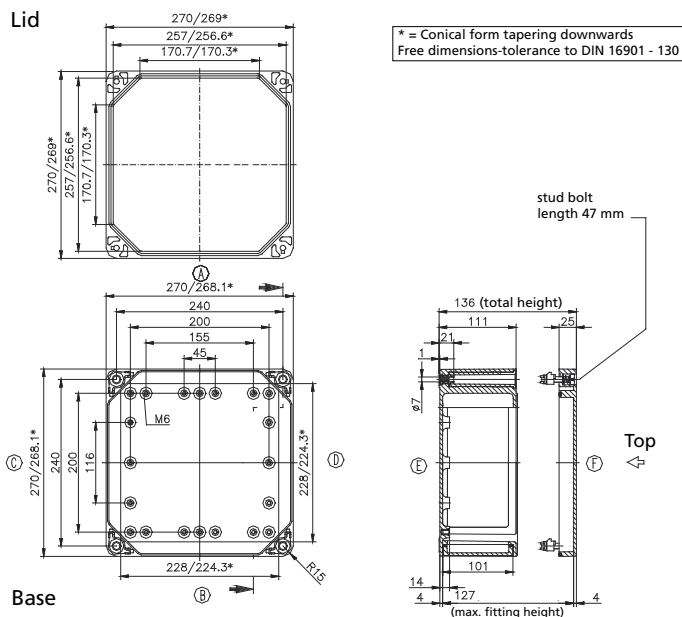
External dimensions: **270 x 270 x 136 mm**

Weight: **2750 g**

DIN rail length in mm	max. fitting length in mm	Mounting plate (thickness in mm)	External mounting bracket	Lid hinges	No. of flanges			
TS 15/35								
215	200	3	•	•	4			

Maximum number of cable glands to DIN 50262*

M	Corner dim.	Side		PG	Corner dim.	Side	
		A/B	C/D			A/B	C/D
12	17,25	63	63	7	17,25	63	63
16	25,30	28	28	9	21,85	38	38
20	27,60	22	22	11	25,30	28	28
25	37,95	12	12	13,5	27,60	22	22
32	48,30	8	8	16	31,05	18	18
40	60,95	3	3	21	37,95	11	11
50	69,00	3	3	29	48,30	8	8
63	74,75	2	2	36	60,95	3	3
				42	69,00	3	3
				48	74,75	2	2

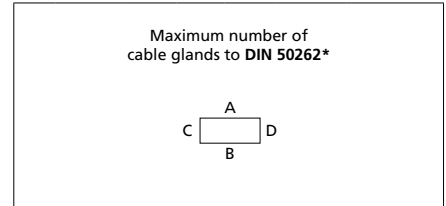


Type: **14.03 . .**

External dimensions: **270 x 541 x 136 mm**

Weight: **4800 g**

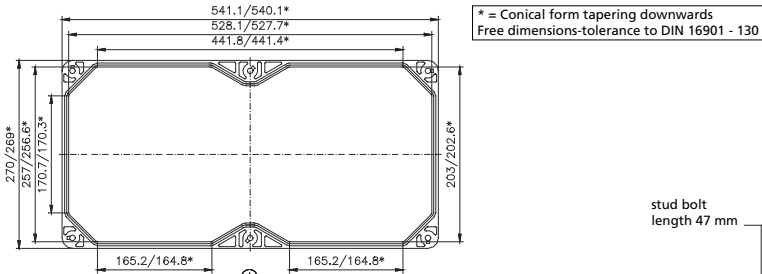
DIN rail length in mm	max fitting length in mm	Mounting plate (thickness in mm)	External mounting bracket	Lid hinges	No. of flanges			
TS 15/35								
485	470	3	•	•	6			



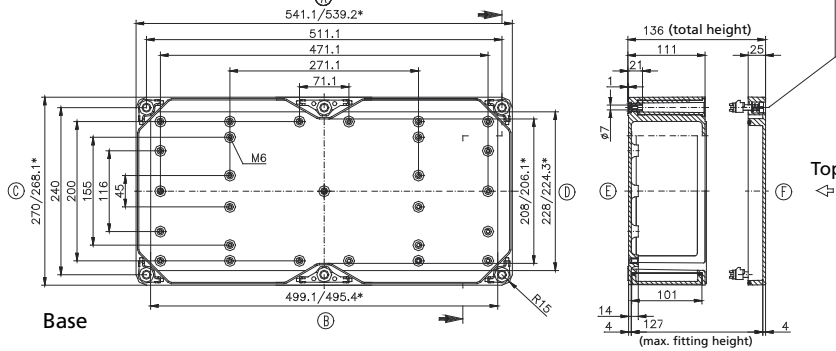
M	Corner dim.	Side		PG	Corner dim.	Side	
		A/B	C/D			A/B	C/D
12	17,25	63	63	7	17,25	63	63
16	25,30	28	28	9	21,85	38	38
20	27,60	22	22	11	25,30	28	28
25	37,95	12	12	13,5	27,60	22	22
32	48,30	8	8	16	31,05	18	18
40	60,95	3	3	21	37,95	11	11
50	69,00	3	3	29	48,30	8	8
63	74,75	2	2	36	60,95	3	3
				42	69,00	3	3
				48	74,75	2	2

* per flange

Lid



Base





Technical data

Material:

Polycarbonate

ABS

Colour:

RAL 7035, light grey

special colour on request

Ingress protection:

IP 66 to EN 60529 (03./09.08 23 09: IP 65)

Surface resistance:

PC: $>10^{15}$ Ohm / IEC 60093

ABS: 4×10^{14} Ohm / IEC 60093

Disruptive strength:

PC: >30 KV/mm IEC 60243-1

ABS: 24 KV/mm IEC 60243-1

Impact resistance:

7 Joule to EN 60079-0

Insulation:

fully insulated to VDE 0100

Flammability:

PC: UL 94 V-2

ABS: UL 94 HB

Toxicity:

halogen-free

Temperature range:

PC: CR (chloroprene) seal: -40°C to $+100^{\circ}\text{C}$

ABS: CR (chloroprene) seal: -40°C to $+60^{\circ}\text{C}$

- Light plastic enclosure for industrial applications
- Polycarbonate enclosure with standard or transparent lid
- ABS enclosure with standard lid
- Optional: EMC version coated

Included in delivery

Plastic enclosure consisting of lid, seal, incl. captive +/- stainless steel screws, base with 2 self-tapping fastening screws for internal mounting

Polycarbonate / ABS

Product range

Order No. Polycarbonate enclosure	Order No. Polycarbonate enclosure with transparent lid	Order No. ABS enclosure	Dimensions (mm) W x L x H	DIN rail		External mounting brackets	Mounting plate Pertinax thickness in mm	Silicone lid seal up to +130°	Table feet rubber	PC external hinge approx. 150° ¹⁾	Sealable lid screws ²⁾	EMC version aluminized
				TS 15	TS 35							
03.05 05 04	33.05 05 04	09.05 05 04	50 x 52 x 35				1,5					•
03.05 07 04	33.05 07 04	09.05 07 04	50 x 65 x 35	•			1,5	•				•
03.08 08 06	33.08 08 06	09.08 08 06	80 x 82 x 55	•		•	1,5	•	•		•	•
03.08 08 09	33.08 08 09	09.08 08 09	80 x 82 x 85	•		•	1,5	•	•		•	•
03.08 12 06	33.08 12 06	09.08 12 06	80 x 120 x 55	•		•	1,5	•	•	•	•	•
03.08 12 09	33.08 12 09	09.08 12 09	80 x 120 x 85	•		•	1,5	•	•	•	•	•
03.08 16 06	33.08 16 06	09.08 16 06	80 x 160 x 55	•		•	1,5	•	•	•	•	•
03.08 16 09	33.08 16 09	09.08 16 09	80 x 160 x 85	•		•	1,5	•	•	•	•	•
03.08 23 09		09.08 23 09	80 x 230 x 85	•		•	1,5	•	•	•	•	•
03.12 12 06	33.12 12 06	09.12 12 06	120 x 122 x 55		•	•	2	•	•	•	•	•
03.12 12 09	33.12 12 09	09.12 12 09	120 x 122 x 85		•	•	2	•	•	•	•	•
03.12 12 11	33.12 12 11	09.12 12 11	120 x 122 x 105		•	•	2	•	•	•		•
03.12 16 09	33.12 16 09	09.12 16 09	120 x 160 x 90		•	•	2	•	•	•		•
03.12 16 14	33.12 16 14	09.12 16 14	120 x 160 x 140		•	•	2	•	•	•		•
03.12 20 08	33.12 20 08	09.12 20 08	120 x 200 x 75		•	•	2	•	•	•	•	•
03.12 20 09	33.12 20 09	09.12 20 09	120 x 200 x 90		•	•	2	•	•	•		•
03.12 24 10	33.12 24 10	09.12 24 10	120 x 240 x 100		•	•	2	•	•	•		•
03.15 20 08	33.15 20 08	09.15 20 08	150 x 200 x 75		•	•	2	•	•	•	•	•
03.16 24 09	33.16 24 09	09.16 24 09	160 x 240 x 90		•	•	2,5 ³⁾	•	•	•	•	•
03.16 24 12	33.16 24 12	09.16 24 12	160 x 240 x 120		•	•	2,5	•	•	•		•
03.16 36 10	-	09.16 36 10	160 x 360 x 100		•	•	2,5	•	•	•		•
03.20 36 15	33.20 36 15	09.20 36 15	200 x 360 x 149		•	•	2,5	•	•	•		•
03.23 30 09	33.23 30 09	09.23 30 09	230 x 300 x 85		•	•	2	•	•	•		•
03.23 30 11	33.23 30 11	09.23 30 11	230 x 300 x 110		•	•	2	•	•	•		•
-	-	09.40 36 15	400 x 360 x 150		•		2,5 ³⁾	•	•			•

¹⁾ Please quote mounting side A-D when ordering.

²⁾ Stainless steel

³⁾ Galvanized sheet steel

Transparent lid for ABS enclosure not available.

Accessories

Small table feet (for sizes up to xx.15 20 08)	10.03 40 01
Small table feet (for sizes up to xx.16 24 19)	10.03 40 02
Threaded inserts M4 (10 pcs.)	10.03 70 04
Threaded inserts M3 (10 pcs.)	10.03 70 03
Set of external hinges (2 pcs.)	10.02 12 01

Terminal mounting

	Phoenix																	
DIN rail TS 15	X	X																
DIN rail TS 35			X	X	X	X	X	X	X	X	X	X	X					
Voltage (V)	500	500	1000	1000	1000	1000	1000	1000	1000	1000	1000	1000	1000					
Current (A)	24	32	24	32	41	57	76	125	150	232	309	415						
Nom. cross section (mm ²)	2,5	4	2,5	4	6	10	16	35	50	95	150	240						
Terminal width (mm)	5,2	6,2	5,2	6,2	8,2	10,2	12,2	16	20	25	31	36						
Terminal type																		
Type	MUT 2,5	MUT 4	UT 2,5	UT 4	UT 6	UT 10	UT 16	UT 35	UKH 50	UKH 95	UKH 150	UKH 240						
03/33.05 05 04																		
03/33.05 07 04																		1
03/33.08 08 06	7	5	5															2
03/33.08 08 09	7	5	5	4	3	2	2	2										2
03/33.08 12 06	14	11	12															2
03/33.08 12 09	14	11	12	10	8	6	5	4										2
03/33.08 16 06	22	18	20															2
03/33.08 16 09	22	18	20	17	13	10	8	7										2
03/33.08 23 09	36	28	34	29	22	17	14	12										2
03/33.12 12 06	15	12	13															2
03/33.12 12 09	15	12	13	11	8	6	5	4										2
03/33.12 12 11	15	12	13	11	8	6	5	4	3									2
03/33.12 16 09	22	18	20	17	13	10	8	7										2
03/33.12 16 14	22	18	20	17	13	10	8	7	5	4								4
03/33.12 20 08	30	24	28	23	17	14	12											4
03/33.12 20 09	30	24	28	23	17	14	12	9										4
03/33.12 24 10	38	30	36	30	23	18	15	12	9									4
03/33.15 20 08	30	24	25	21	15	12	10											4
03/33.16 24 09	38	30	35	30	22	18	15	12										4
03/33.16 24 12	38	30	35	30	22	18	15	12	9	7								4
03/33.16 36 10	60	50	57	48	36	29	24	19										4
03/33.20 36 15	60	50	57	48	36	29	24	19	15	12	9							4
03/33.23 30 09	48	40	47	40	30	24	20	16										4
03/33.23 30 11	48	40	47	40	30	24	20	16	12									4

Polycarbonate / ABS

Accessories



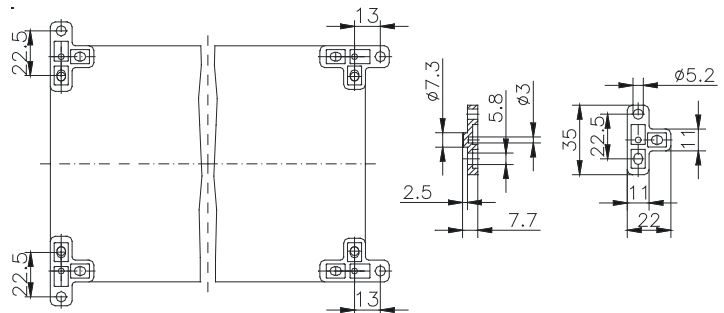
Mounting plate
for fitting electro-mechanical components

Order No.	for enclosure type	Order No.	for enclosure type
10.01 20 01	03/09/33.05 05 04	10.01 20 07	03/09/33.12 16 14
10.01 20 02	03/09/33.05 07 04	10.01 20 08	03/09/33.12 20 08
10.01 20 03	03/09/33.08 08 06	10.01 20 08	03/09/33.12 20 09
10.01 20 03	03/09/33.08 08 09	10.01 20 09	03/09/33.12 24 10
10.01 20 04	03/09/33.08 12 06	10.01 20 10	03/09/33.15 20 08
10.01 20 04	03/09/33.08 12 09	10.01 20 11	03/09/33.16 24 09
10.01 20 05	03/09/33.08 16 06	10.01 20 11	03/09/33.16 24 12
10.01 20 05	03/09/33.08 16 09	10.01 20 12	03/09/33.16 36 10
10.01 20 16	03/09/33.08 23 09	10.01 20 13	03/09/33.20 36 15
10.01 20 06	03/09/33.12 12 06	10.01 20 14	03/09/33.23 30 09
10.01 20 06	03/09/33.12 12 09	10.01 20 14	03/09/33.23 30 11
10.01 20 06	03/09/33.12 12 11	10.01 20 15	03/09/33.40 36 15
10.01 20 07	03/09/33.12 16 09		



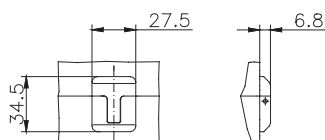
External mounting brackets (set = 4 pcs.)

Order No. **10.03 12 01**



External hinge (set = 2 pcs.)

Order No. **10.02 12 01**



Threaded inserts

Order No.

10.03 70 03	Set with 10 pcs. M3
10.03 70 04	Set with 10 pcs. M4 only for enclosure ...16 36 10; ...20 36 15; ...40 36 15

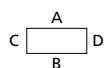
Type: . . .05 05 04

External dimensions: 50 x 52 x 35 mm

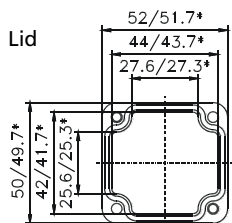
Weight: 70 g

DIN rail length in mm	max. fitting length in mm	Mounting plate (thickness in mm)	External mounting brackets	External hinge* set	EMC version	Self-adhesive rubber feet set	Silicone lid seal	Sealable lid screw in steel
		1,5			•			

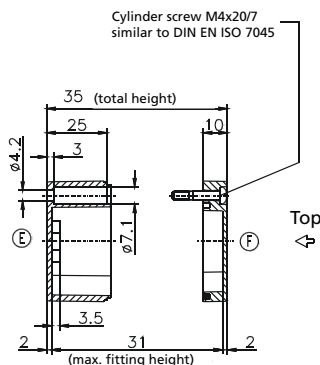
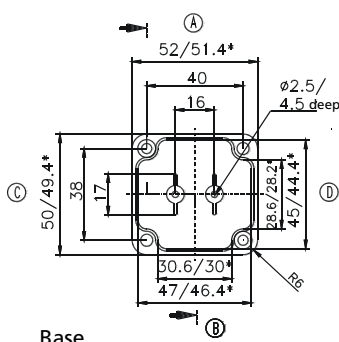
Maximum number of cable glands to DIN 50262*



M	Corner dim.	Side		PG	Corner dim.	Side	
		A/B	C/D			A/B	C/D
12	17,25	2	1	7	17,25	2	1
16	25,30			9	21,85	1	1
20	27,60			11	25,30		
25	37,95			13,5	27,60		
32	48,30			16	31,05		
40	60,95			21	37,95		
50	69,00			29	48,30		
63	74,75			36	60,95		
				42	69,00		
				48	74,75		



* = Conical form tapering downwards
Free dimensions-tolerance to DIN 16901 - 130



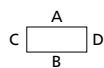
Type: . . .05 07 04

External dimensions: 50 x 65 x 35 mm

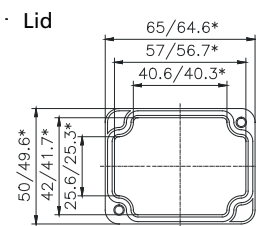
Weight: 74 g

DIN rail length in mm	max. fitting length in mm	Mounting plate (thickness in mm)	External mounting brackets	External hinge* set	EMC version	Self-adhesive rubber feet set	Silicone lid seal	Sealable lid screw in steel
TS 15		1,5			•		•	
45								

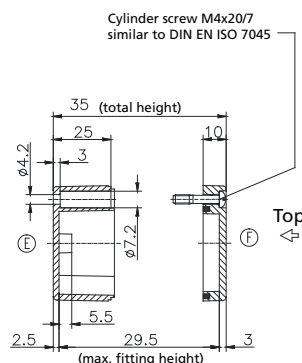
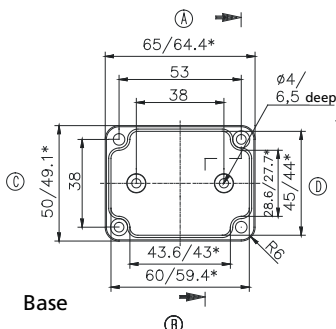
Maximum number of cable glands to DIN 50262*



M	Corner dim.	Side		PG	Corner dim.	Side	
		A/B	C/D			A/B	C/D
12	17,25	2	2	7	17,25	2	2
16	25,30			9	21,85	2	1
20	27,60			11	25,30		
25	37,95			13,5	27,60		
32	48,30			16	31,05		
40	60,95			21	37,95		
50	69,00			29	48,30		
63	74,75			36	60,95		
				42	69,00		
				48	74,75		



* = Conical form tapering downwards
Free dimensions-tolerance to DIN 16901 - 130



* Please quote mounting side

Type: . . .08 08 06

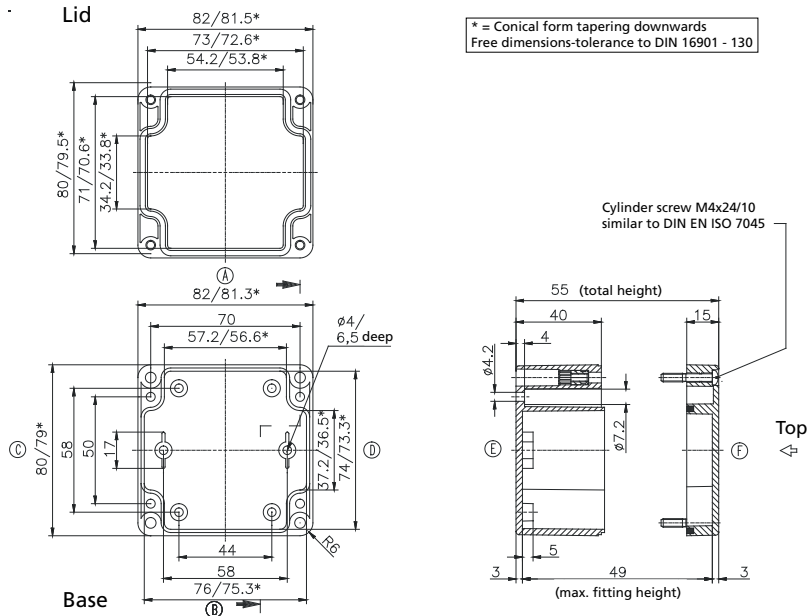
External dimensions: 80 x 82 x 55 mm

Weight: 200 g

DIN rail length in mm	max. fitting length in mm	Mounting plate (thickness in mm)	External mounting brackets	External hinge* set	EMC version	Self-adhesive rubber feet set	Silicone lid seal	Sealable lid screw in steel
TS 15								
68	56	1,5	•		•	•	•	•

Maximum number of cable glands to DIN 50262*

M	Corner dim.	Side		PG	Corner dim.	Side	
		A/B	C/D			A/B	C/D
12	17,25	6	4	7	17,25	6	4
16	25,30	2	2	9	21,85	3	2
20	27,60	2	1	11	25,30	2	1
25	37,95	1	1	13,5	27,60	2	1
32	48,30			16	31,05	2	1
40	60,95			21	37,95	1	1
50	69,00			29	48,30		
63	74,75			36	60,95		
				42	69,00		
				48	74,75		



Type: . . .08 08 09

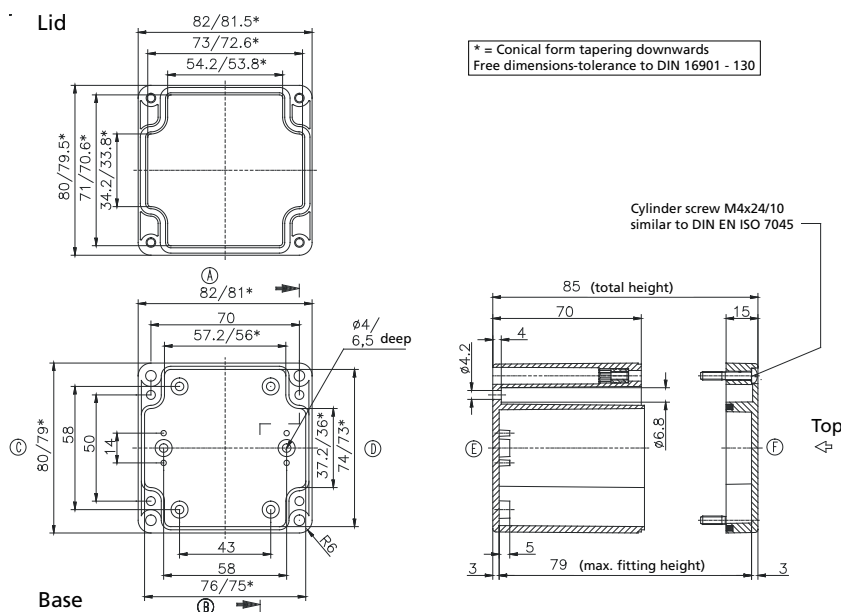
External dimensions: 80 x 82 x 85 mm

Weight: 250 g

DIN rail length in mm	max. fitting length in mm	Mounting plate (thickness in mm)	External mounting brackets	External hinge* set	EMC version	Self-adhesive rubber feet set	Silicone lid seal	Sealable lid screw in steel
TS 15								
68	56	1,5	•		•	•	•	•

Maximum number of cable glands to DIN 50262*

M	Corner dim.	Side		PG	Corner dim.	Side	
		A/B	C/D			A/B	C/D
12	17,25	10	6	7	17,25	10	6
16	25,30	5	2	9	21,85	6	3
20	27,60	4	2	11	25,30	5	2
25	37,95	2	1	13,5	27,60	4	2
32	48,30	1	1	16	31,05	4	2
40	60,95	1		21	37,95	1	1
50	69,00			29	48,30	1	
63	74,75			36	60,95	1	
				42	69,00		
				48	74,75		



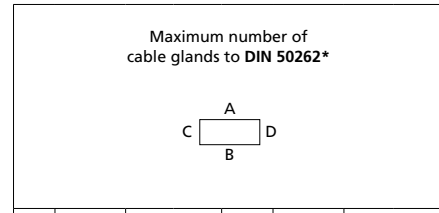
* Please quote mounting side

Type: **. . .08 12 06**

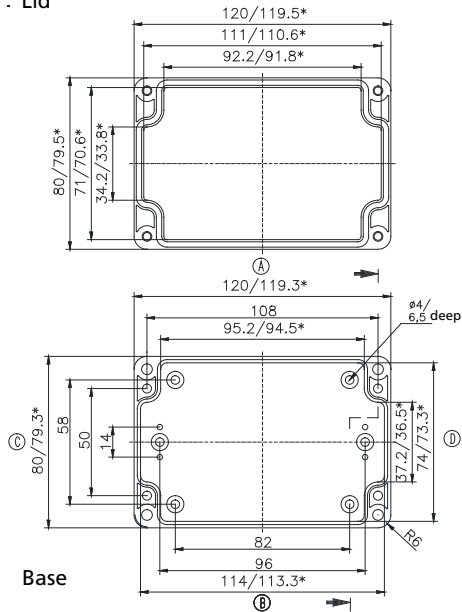
External dimensions: **80 x 120 x 55 mm**

Weight: **240 g**

DIN rail length in mm	max. fitting length in mm	Mounting plate (thickness in mm)	External mounting brackets	External hinge* set	EMC version	Self-adhesive rubber feet set	Silicone lid seal	Sealable lid screw in steel
TS 15								
110	94	1,5	•	•	•	•	•	•

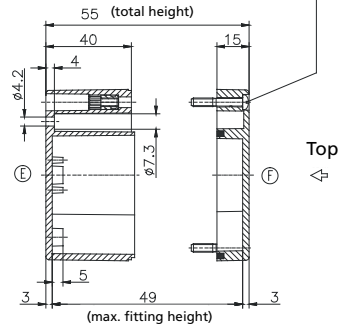


Lid



* = Conical form tapering downwards
Free dimensions-tolerance to DIN 16901 - 130

Cylinder screw M4x24/10 similar to DIN EN ISO 7045



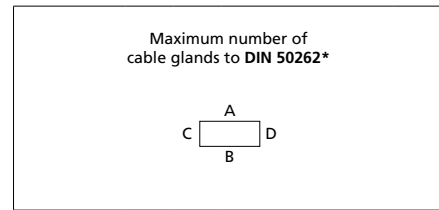
M	Corner dim.	Side		PG	Corner dim.	Side	
		A/B	C/D			A/B	C/D
12	17,25	10	3	7	17,25	10	3
16	25,30	4	1	9	21,85	6	2
20	27,60	3	1	11	25,30	4	1
25	37,95	2		13,5	27,60	3	1
32	48,30			16	31,05	3	1
40	60,95			21	37,95	2	
50	69,00			29	48,30		
63	74,75			36	60,95		
				42	69,00		
				48	74,75		

Type: **. . .08 12 09**

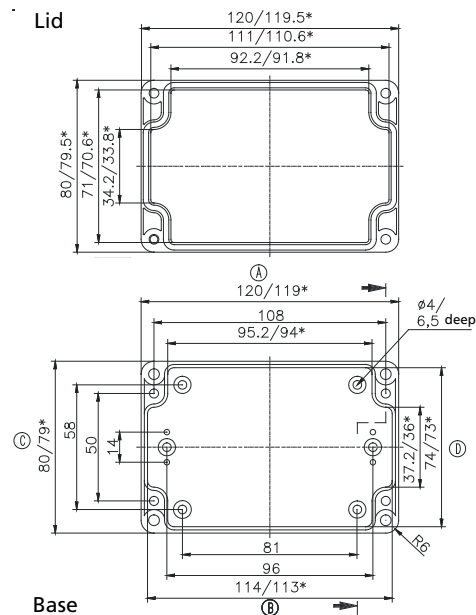
External dimensions: **80 x 120 x 85 mm**

Weight: **280 g**

DIN rail length in mm	max. fitting length in mm	Mounting plate (thickness in mm)	External mounting brackets	External hinge* set	EMC version	Self-adhesive rubber feet set	Silicone lid seal	Sealable lid screw in steel
TS 15								
110	94	1,5	•	•	•	•	•	•

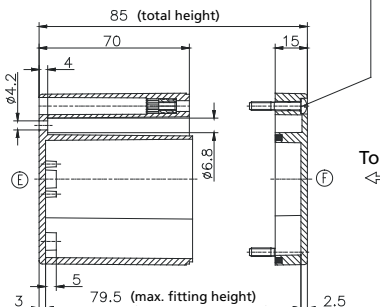


Lid



* = Conical form tapering downwards
Free dimensions-tolerance to DIN 16901 - 130

Cylinder screw M4x24/10 similar to DIN EN ISO 7045



M	Corner dim.	Side		PG	Corner dim.	Side	
		A/B	C/D			A/B	C/D
12	17,25	16	6	7	17,25	16	6
16	25,30	8	2	9	21,85	11	3
20	27,60	6	2	11	25,30	8	2
25	37,95	3	1	13,5	27,60	6	2
32	48,30	2	1	16	31,05	6	2
40	60,95	1		21	37,95	3	1
50	69,00			29	48,30	2	
63	74,75			36	60,95	1	
				42	69,00		
				48	74,75		

* Please quote mounting side

Type: . . .08 16 06

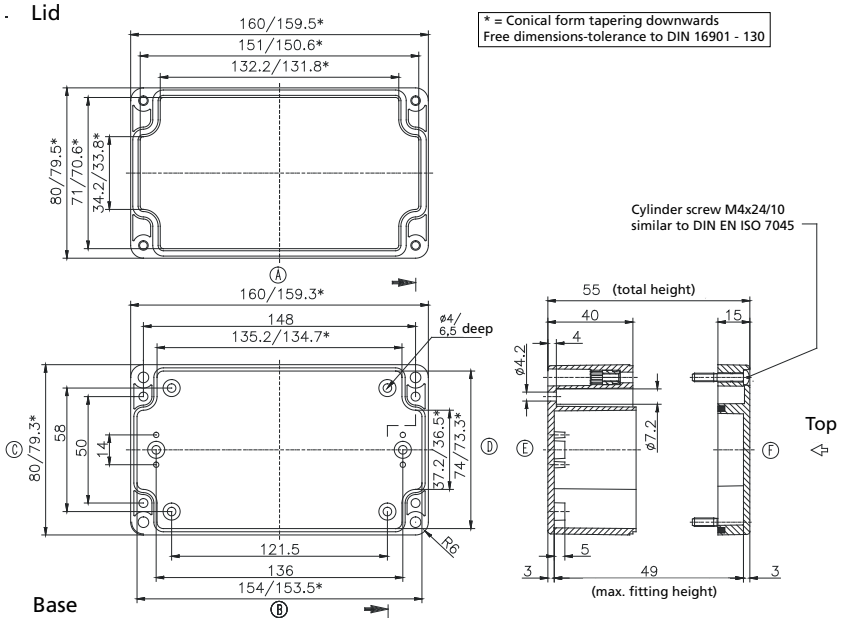
External dimensions: 80 x 160 x 55 mm

Weight: 270 g

DIN rail length in mm	max. fitting length in mm	Mounting plate (thickness in mm)	External mounting brackets	External hinge* set	EMC version	Self-adhesive rubber feet set	Silicone lid seal	Sealable lid screw in steel
TS 15								
150	134	1,5	•	•	•	•	•	•

Maximum number of cable glands to DIN 50262*

M	Corner dim.	Side		PG	Corner dim.	Side	
		A/B	C/D			A/B	C/D
12	17,25	16	4	7	17,25	14	4
16	25,30	6	2	9	21,85	8	2
20	27,60	5	1	11	25,30	6	1
25	37,95	3	1	13,5	27,60	5	1
32	48,30			16	31,05	4	1
40	60,95			21	37,95	3	
50	69,00			29	48,30		
63	74,75			36	60,95		
				42	69,00		
				48	74,75		



Type: . . .08 16 09

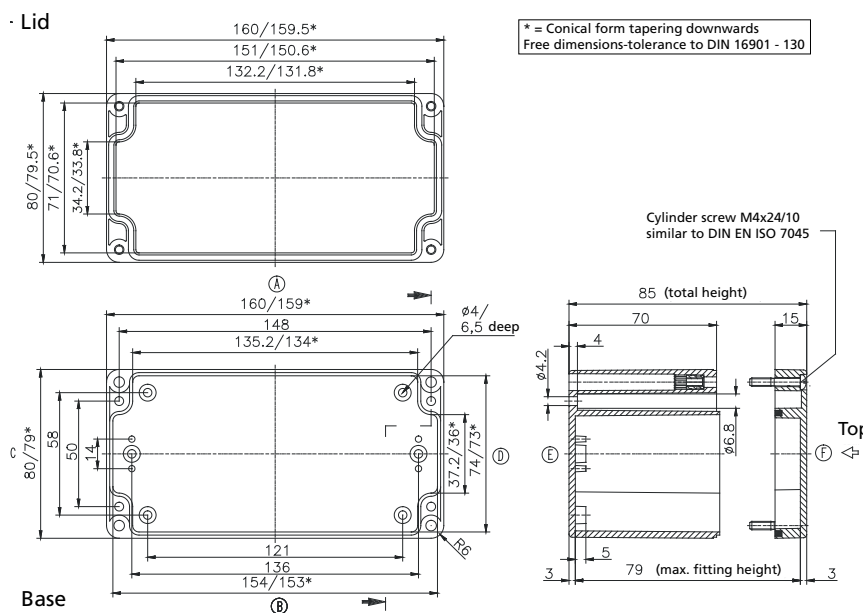
External dimensions: 80 x 160 x 85 mm

Weight: 340 g

DIN rail length in mm	max. fitting length in mm	Mounting plate (thickness in mm)	External mounting brackets	External hinge* set	EMC version	Self-adhesive rubber feet set	Silicone lid seal	Sealable lid screw in steel
TS 15								
150	134	1,5	•	•	•	•	•	•

Maximum number of cable glands to DIN 50262*

M	Corner dim.	Side		PG	Corner dim.	Side	
		A/B	C/D			A/B	C/D
12	17,25	28	6	7	17,25	28	6
16	25,30	14	3	9	21,85	18	4
20	27,60	9	2	11	25,30	12	2
25	37,95	5	1	13,5	27,60	9	2
32	48,30	3	1	16	31,05	8	2
40	60,95	2		21	37,95	5	1
50	69,00	2		29	48,30	3	
63	74,75			36	60,95	2	
				42	69,00	2	
				48	74,75		



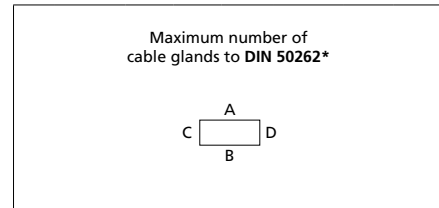
* Please quote mounting side

Type: . . .08 23 09

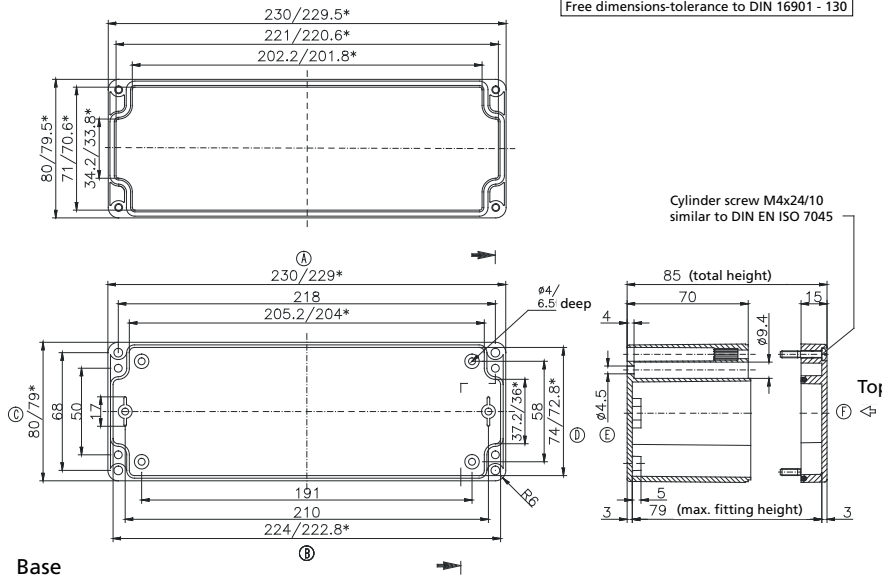
External dimensions: 80 x 230 x 85 mm

Weight: 600 g

DIN rail length in mm	max. fitting length in mm	Mounting plate (thickness in mm)	External mounting brackets	External hinge* set	EMC version	Self-adhesive rubber feet set	Silicone lid seal	Sealable lid screw in steel
TS 15								
218	204	1,5	•	•	•	•	•	•



Lid



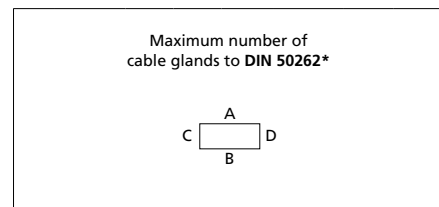
M	Corner dim.	Side		PG	Corner dim.	Side	
		A/B	C/D			A/B	C/D
12	17,25	40	6	7	17,25	40	6
16	25,30	18	3	9	21,85	27	3
20	27,60	14	2	11	25,30	17	2
25	37,95	7	1	13,5	27,60	14	2
32	48,30	4	1	16	31,05	12	2
40	60,95	3		21	37,95	7	1
50	69,00			29	48,30	4	
63	74,75			36	60,95	3	
				42	69,00		
				48	74,75		

Type: . . .12 12 06

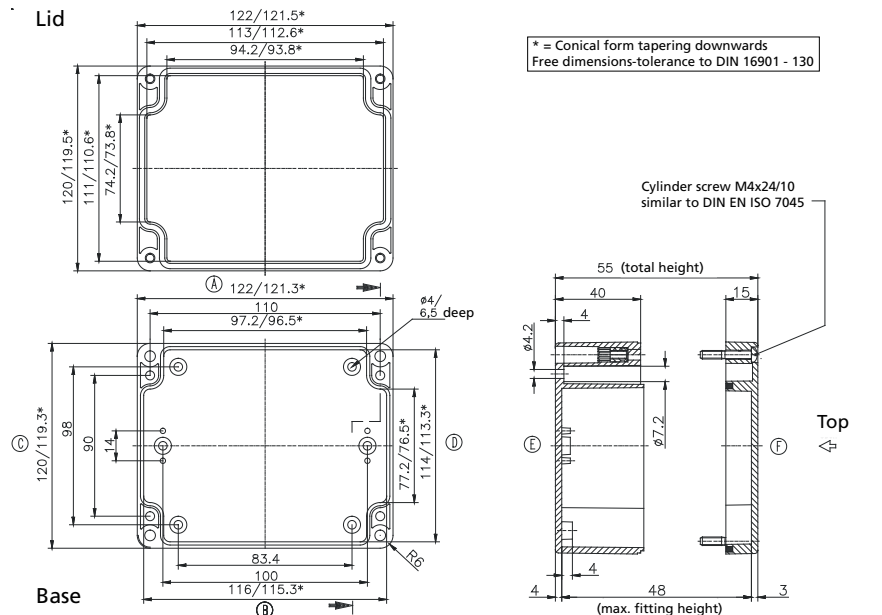
External dimensions: 120 x 122 x 55 mm

Weight: 587 g

DIN rail length in mm	max. fitting length in mm	Mounting plate (thickness in mm)	External mounting brackets	External hinge* set	EMC version	Self-adhesive rubber feet set	Silicone lid seal	Sealable lid screw in steel
TS 35								
110	96	2	•	•	•	•	•	•



Lid



M	Corner dim.	Side		PG	Corner dim.	Side	
		A/B	C/D			A/B	C/D
12	17,25	11	8	7	17,25	11	8
16	25,30	4	3	9	21,85	6	4
20	27,60	4	3	11	25,30	4	3
25	37,95	2	2	13,5	27,60	4	3
32	48,30			16	31,05	3	2
40	60,95			21	37,95	2	2
50	69,00			29	48,30		
63	74,75			36	60,95		
				42	69,00		
				48	74,75		

* Please quote mounting side

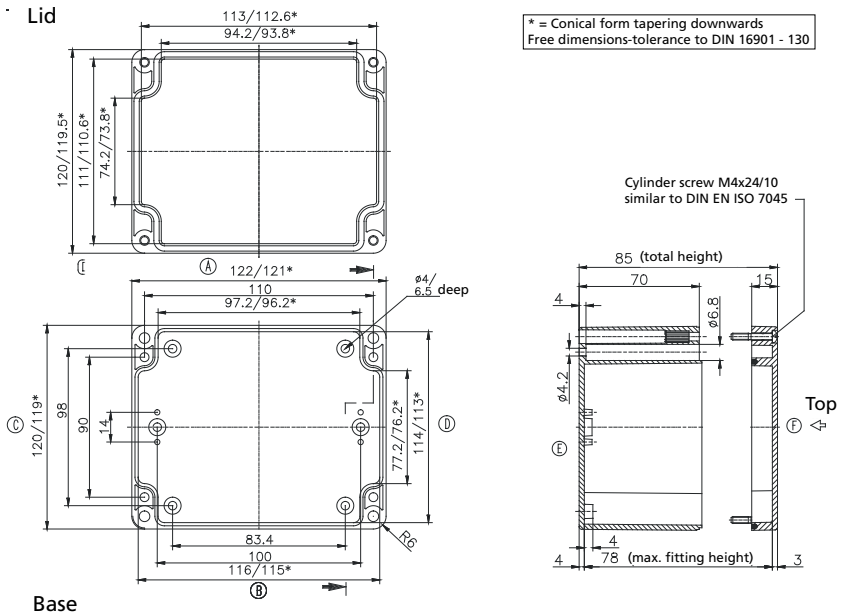
Type: . . .12 12 09

External dimensions: 120 x 122 x 85 mm

Weight: 430 g

DIN rail length in mm	max. fitting length in mm	Mounting plate (thickness in mm)	External mounting brackets	External hinge* set	EMC version	Self-adhesive rubber feet set	Silicone lid seal	Sealable lid screw in steel
TS 35								
110	96	2	•	•	•	•	•	•

Maximum number of cable glands to DIN 50262*



M	Corner dim.	Side		PG	Corner dim.	Side	
		A/B	C/D			A/B	C/D
12	17,25	20	14	7	17,25	20	14
16	25,30	9	6	9	21,85	12	9
20	27,60	6	5	11	25,30	9	6
25	37,95	4	2	13,5	27,60	6	5
32	48,30	2	1	16	31,05	6	4
40	60,95	1	1	21	37,95	3	2
50	69,00	1		29	48,30	2	1
63	74,75			36	60,95	1	1
				42	69,00	1	
				48	74,75		

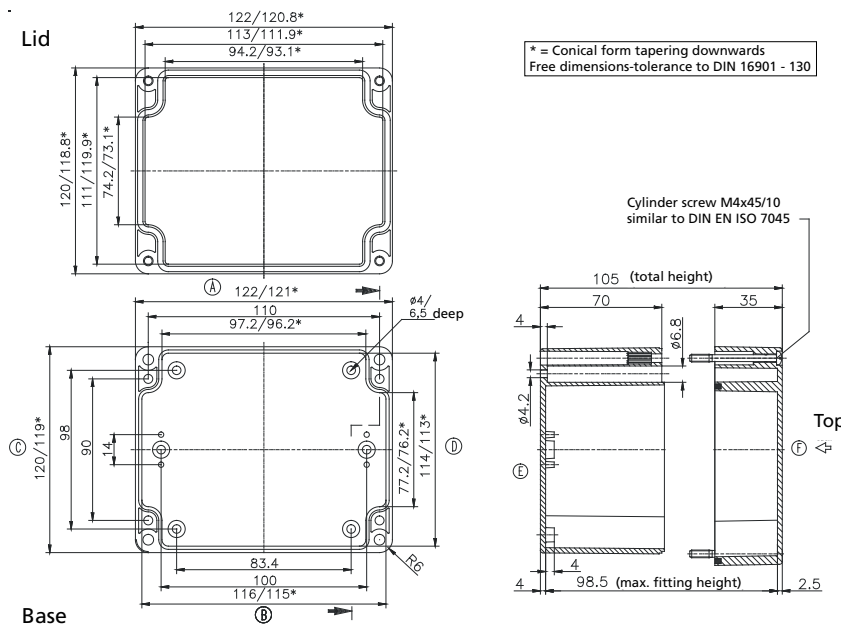
Type: . . .12 12 11

External dimensions: 120 x 122 x 105 mm

Weight: 560 g

DIN rail length in mm	max. fitting length in mm	Mounting plate (thickness in mm)	External mounting brackets	External hinge* set	EMC version	Self-adhesive rubber feet set	Silicone lid seal	Sealable lid screw in steel
TS 35								
110	96	2	•	•	•	•	•	•

Maximum number of cable glands to DIN 50262*



M	Corner dim.	Side		PG	Corner dim.	Side	
		A/B	C/D			A/B	C/D
12	17,25	20	14	7	17,25	20	14
16	25,30	9	6	9	21,85	12	9
20	27,60	6	5	11	25,30	9	6
25	37,95	4	2	13,5	27,60	6	5
32	48,30	2	1	16	31,05	6	4
40	60,95	1	1	21	37,95	3	2
50	69,00	1		29	48,30	2	1
63	74,75			36	60,95	1	1
				42	69,00	1	
				48	74,75		

* Please quote mounting side

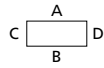
Type: . . . **12 16 09**

External dimensions: **120 x 160 x 90 mm**

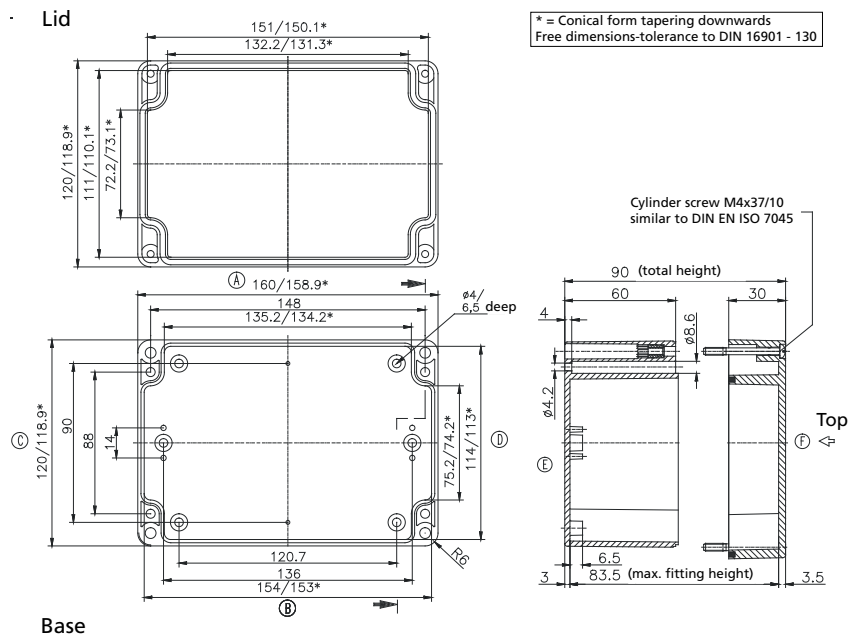
Weight: **490 g**

DIN rail length in mm	max. fitting length in mm	Mounting plate (thickness in mm)	External mounting brackets	External hinge* set	EMC version	Self-adhesive rubber feet set	Silicone lid seal	Sealable lid screw in steel
TS 35								
150	134	2	•	•	•	•	•	

Maximum number of cable glands to DIN 50262*



M	Corner dim.	Side		PG	Corner dim.	Side	
		A/B	C/D			A/B	C/D
12	17,25	21	12	7	17,25	21	12
16	25,30	10	6	9	21,85	12	6
20	27,60	9	4	11	25,30	10	6
25	37,95	4	2	13,5	27,60	9	4
32	48,30	3	1	16	31,05	5	3
40	60,95			21	37,95	3	2
50	69,00			29	48,30	2	1
63	74,75			36	60,95		
				42	69,00		
				48	74,75		



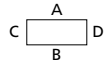
Type: . . . **12 16 14**

External dimensions: **120 x 160 x 140 mm**

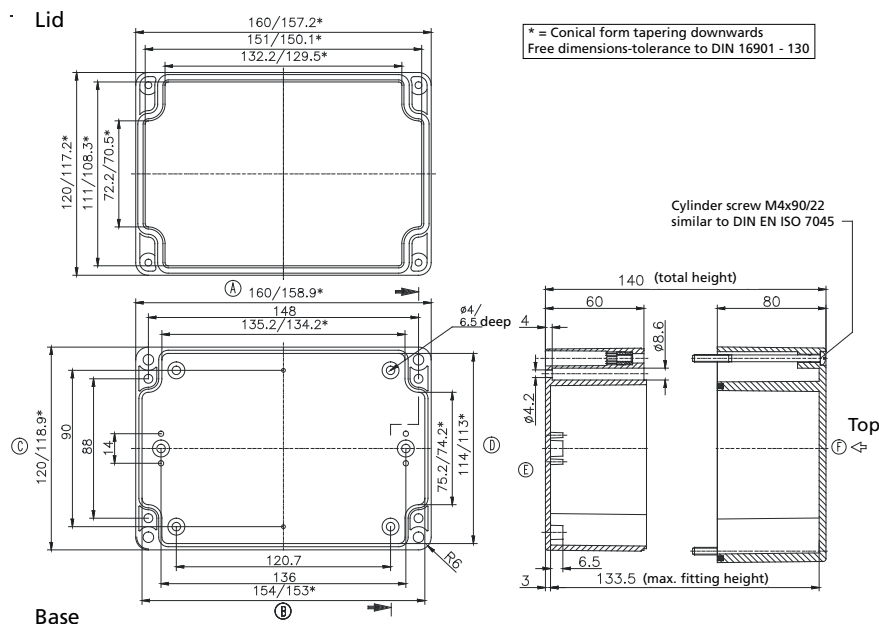
Weight: **600 g**

DIN rail length in mm	max. fitting length in mm	Mounting plate (thickness in mm)	External mounting brackets	External hinge* set	EMC version	Self-adhesive rubber feet set	Silicone lid seal	Sealable lid screw in steel
TS 35								
150	134	2	•	•	•	•	•	

Maximum number of cable glands to DIN 50262*



M	Corner dim.	Side		PG	Corner dim.	Side	
		A/B	C/D			A/B	C/D
12	17,25	21	12	7	17,25	21	12
16	25,30	10	6	9	21,85	12	6
20	27,60	9	4	11	25,30	10	6
25	37,95	4	2	13,5	27,60	9	4
32	48,30	3	1	16	31,05	5	3
40	60,95			21	37,95	3	2
50	69,00			29	48,30	2	1
63	74,75			36	60,95		
				42	69,00		
				48	74,75		



* Please quote mounting side

Type: . . . **12 20 08**

External dimensions: **120 x 200 x 75 mm**

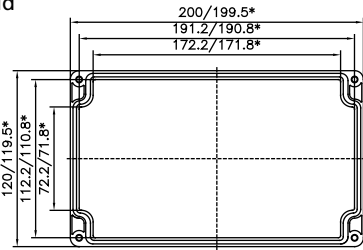
Weight: **492 g**

DIN rail length in mm	max. fitting length in mm	Mounting plate (thickness in mm)	External mounting brackets	External hinge* set	EMC version	Self-adhesive rubber feet set	Silicone lid seal	Sealable lid screw in steel
TS 35			•	•	•	•	•	•
190	174	2	•	•	•	•	•	•

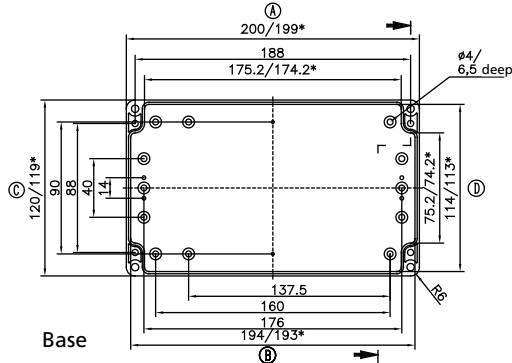
Maximum number of cable glands to DIN 50262*

M	Corner dim.	Side		PG	Corner dim.	Side	
		A/B	C/D			A/B	C/D
12	17,25	30	15	7	17,25	30	15
16	25,30	14	6	9	21,85	20	9
20	27,60	12	6	11	25,30	12	6
25	37,95	5	3	13,5	27,60	12	6
32	48,30	3	2	16	31,05	10	4
40	60,95			21	37,95	5	2
50	69,00			29	48,30	3	2
63	74,75			36	60,95		
				42	69,00		
				48	74,75		

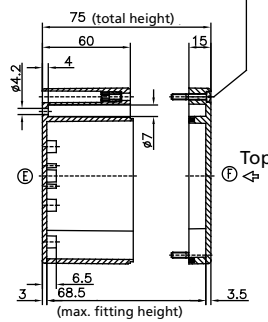
Lid



* = Conical form tapering downwards
Free dimensions-tolerance to DIN 16901 - 130



Cylinder screw M4x24/10 similar to DIN EN ISO 7045



Base

Type: . . . **12 20 09**

External dimensions: **120 x 200 x 90 mm**

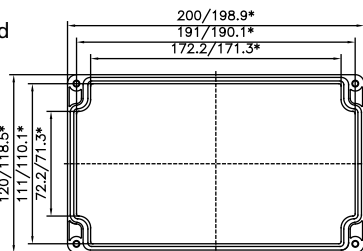
Weight: **600 g**

DIN rail length in mm	max. fitting length in mm	Mounting plate (thickness in mm)	External mounting brackets	External hinge* set	EMC version	Self-adhesive rubber feet set	Silicone lid seal	Sealable lid screw in steel
TS 35			•	•	•	•	•	•
190	174	2	•	•	•	•	•	•

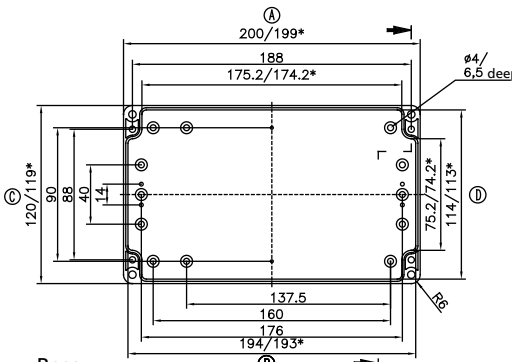
Maximum number of cable glands to DIN 50262*

M	Corner dim.	Side		PG	Corner dim.	Side	
		A/B	C/D			A/B	C/D
12	17,25	30	12	7	17,25	30	11
16	25,30	14	6	9	21,85	18	6
20	27,60	12	4	11	25,30	12	6
25	37,95	5	2	13,5	27,60	12	4
32	48,30	3	1	16	31,05	10	3
40	60,95			21	37,95	5	2
50	69,00			29	48,30	3	1
63	74,75			36	60,95		
				42	69,00		
				48	74,75		

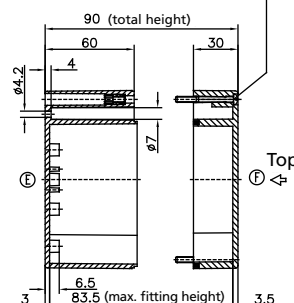
Lid



* = Conical form tapering downwards
Free dimensions-tolerance to DIN 16901 - 130



Cylinder screw M4x37/10 similar to DIN EN ISO 7045



Base

* Please quote mounting side

Type: . . . **12 24 10**

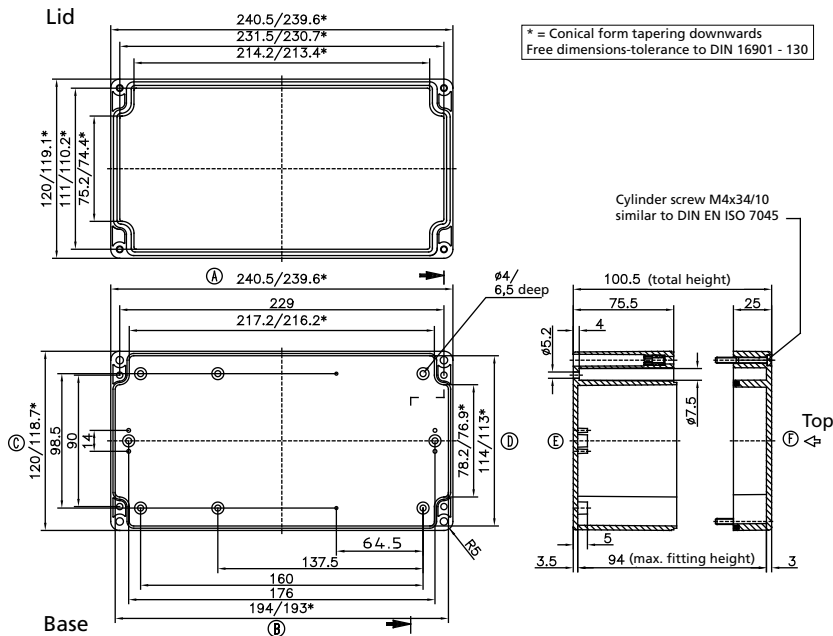
External dimensions: **120 x 240 x 100 mm**

Weight: **670 g**

DIN rail length in mm	max. fitting length in mm	Mounting plate (thickness in mm)	External mounting brackets	External hinge* set	EMC version	Self-adhesive rubber feet set	Silicone lid seal	Sealable lid screw in steel
TS 35								
230	216	2	•	•	•	•	•	

Maximum number of cable glands to DIN 50262*

M	Corner dim.	Side		PG	Corner dim.	Side	
		A/B	C/D			A/B	C/D
12	17,25	48	16	7	17,25	48	16
16	25,30	24	8	9	21,85	30	9
20	27,60	17	5	11	25,30	21	6
25	37,95	10	3	13,5	27,60	17	5
32	48,30	5	1	16	31,05	14	5
40	60,95	3	1	21	37,95	9	3
50	69,00	3	1	29	48,30	5	1
63	74,75			36	60,95	3	1
				42	69,00		
				48	74,75		



Type: . . . **15 20 08**

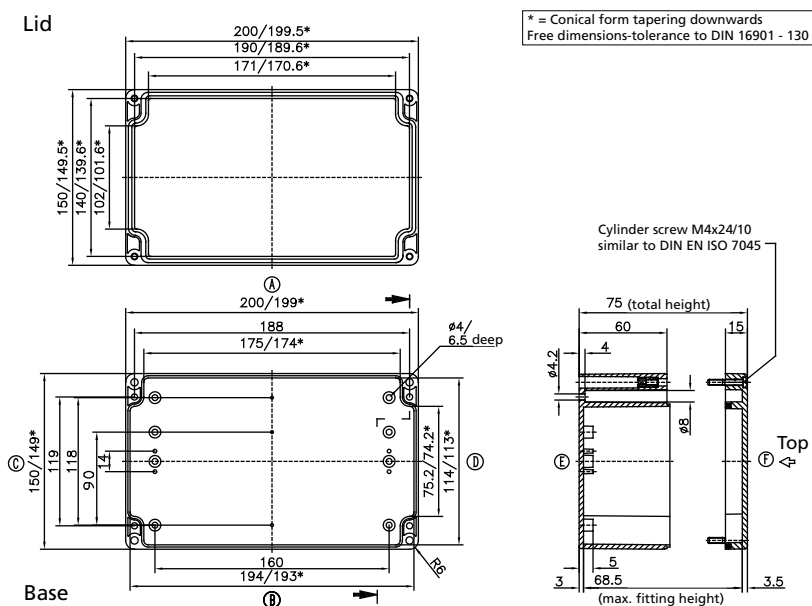
External dimensions: **150 x 200 x 75 mm**

Weight: **666 g**

DIN rail length in mm	max. fitting length in mm	Mounting plate (thickness in mm)	External mounting brackets	External hinge* set	EMC version	Self-adhesive rubber feet set	Silicone lid seal	Sealable lid screw in steel
TS 35								
170	174	2	•	•	•	•	•	•

Maximum number of cable glands to DIN 50262*

M	Corner dim.	Side		PG	Corner dim.	Side	
		A/B	C/D			A/B	C/D
12	17,25	30	17	7	17,25	30	17
16	25,30	14	8	9	21,85	20	9
20	27,60	12	6	11	25,30	14	8
25	37,95	5	3	13,5	27,60	12	6
32	48,30	3	2	16	31,05	10	4
40	60,95			21	37,95	5	3
50	69,00			29	48,30	3	2
63	74,75			36	60,95		
				42	69,00		
				48	74,75		



* Please quote mounting side

Type: . . .16 24 09

External dimensions: 160 x 240 x 90 mm

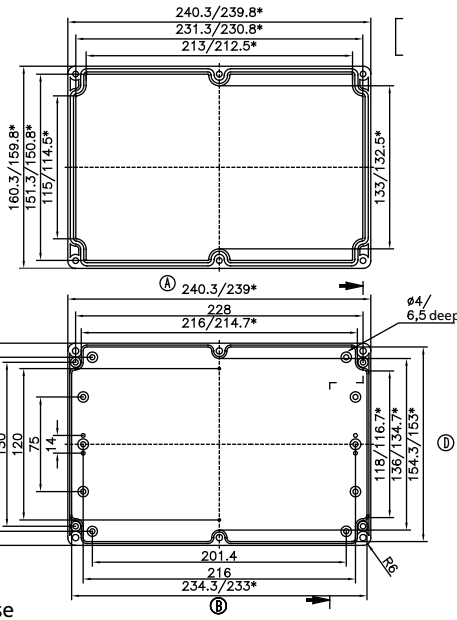
Weight: 830 g

DIN rail length in mm	max. fitting length in mm	Mounting plate (thickness in mm)	External mounting brackets	External hinge* set	EMC version	Self-adhesive rubber feet set	Silicone lid seal	Sealable lid screw in steel
TS 35								
230	214	2,5	•	•	•	•	•	•

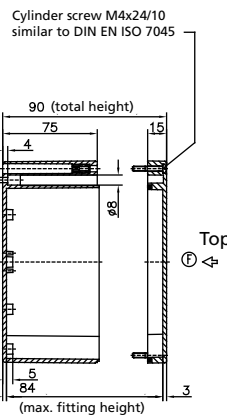
Maximum number of cable glands to DIN 50262*

M	Corner dim.	Side		PG	Corner dim.	Side	
		A/B	C/D			A/B	C/D
12	17,25	40	26	7	17,25	40	26
16	25,30	18	11	9	21,85	24	15
20	27,60	12	8	11	25,30	16	11
25	37,95	8	4	13,5	27,60	12	8
32	48,30	4	2	16	31,05	12	8
40	60,95	2	2	21	37,95	6	4
50	69,00	2	1	29	48,30	4	2
63	74,75			36	60,95	2	2
				42	69,00	2	1
				48	74,75		

Lid



* = Conical form tapering downwards
Free dimensions-tolerance to DIN 16901 - 130



Base

Type: . . .16 24 12

External dimensions: 160 x 240 x 120 mm

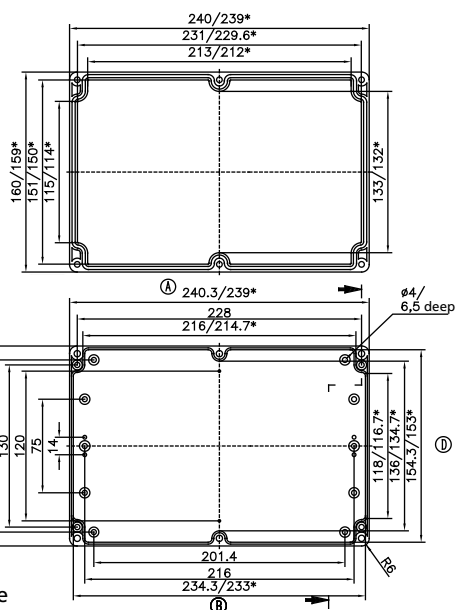
Weight: 970 g

DIN rail length in mm	max. fitting length in mm	Mounting plate (thickness in mm)	External mounting brackets	External hinge* set	EMC version	Self-adhesive rubber feet set	Silicone lid seal	Sealable lid screw in steel
TS 35								
230	214	2,5	•	•	•	•	•	•

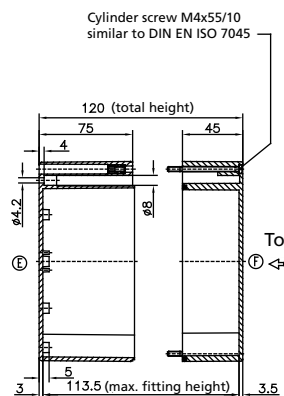
Maximum number of cable glands to DIN 50262*

M	Corner dim.	Side		PG	Corner dim.	Side	
		A/B	C/D			A/B	C/D
12	17,25	40	26	7	17,25	40	26
16	25,30	22	12	9	21,85	24	15
20	27,60	16	9	11	25,30	18	12
25	37,95	8	5	13,5	27,60	16	9
32	48,30	4	3	16	31,05	12	8
40	60,95	2	2	21	37,95	8	5
50	69,00	2	1	29	48,30	4	2
63	74,75			36	60,95	2	2
				42	69,00	2	1
				48	74,75		

Lid



* = Conical form tapering downwards
Free dimensions-tolerance to DIN 16901 - 130



Base

* Please quote mounting side

Type: . . . **16 36 10**

External dimensions: **160 x 360 x 100 mm**

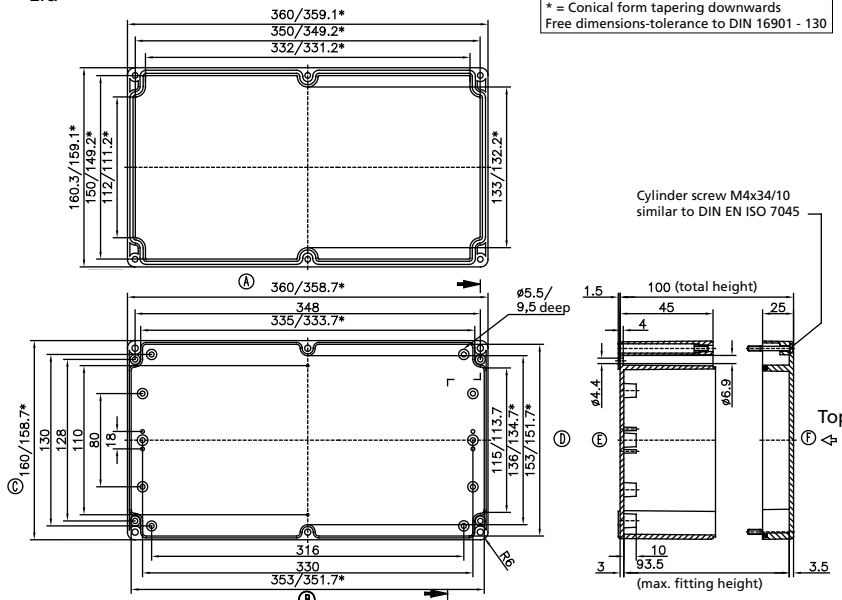
Weight: **1310 g**

DIN rail length in mm	max. fitting length in mm	Mounting plate (thickness in mm)	External mounting brackets	External hinge* set	EMC version	Self-adhesive rubber feet set	Silicone lid seal	Sealable lid screw in steel
TS 35								
345	333	2,5	•	•	•	•	•	

Maximum number of cable glands to DIN 50262*

M	Corner dim.	Side		PG	Corner dim.	Side	
		A/B	C/D			A/B	C/D
12	17,25	72	24	7	17,25	72	24
16	25,30	36	12	9	21,85	44	15
20	27,60	28	9	11	25,30	36	11
25	37,95	16	5	13,5	27,60	28	9
32	48,30	8	2	16	31,05	20	6
40	60,95	4	2	21	37,95	16	5
50	69,00	4	1	29	48,30	6	2
63	74,75	4		36	60,95	4	2
				42	69,00	4	1
				48	74,75	4	

Lid



Base

Type: . . . **20 36 15**

External dimensions: **200 x 360 x 149 mm**

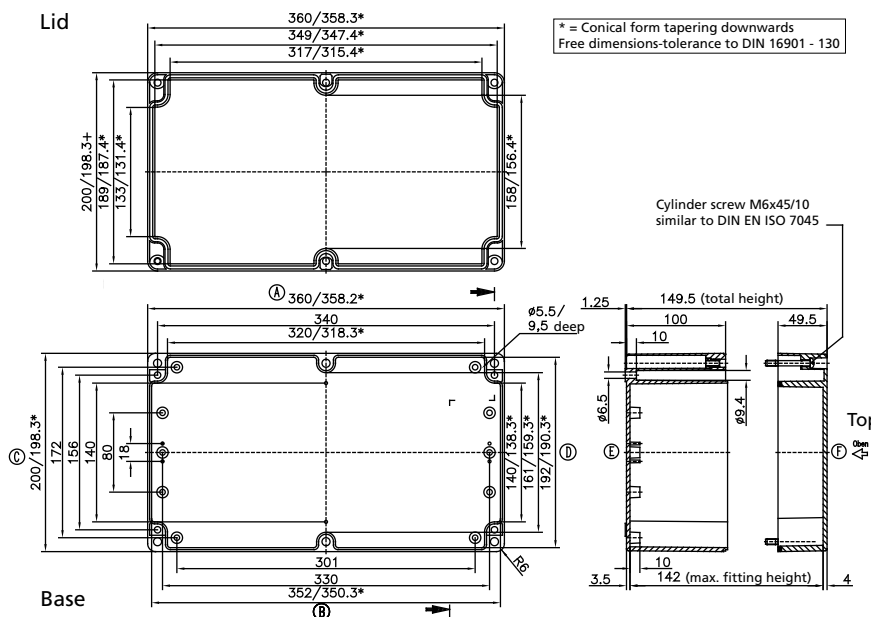
Weight: **2166 g**

DIN rail length in mm	max. fitting length in mm	Mounting plate (thickness in mm)	External mounting brackets	External hinge* set	EMC version	Self-adhesive rubber feet set	Silicone lid seal	Sealable lid screw in steel
TS 35								
345	333	2,5		•	•	•	•	

Maximum number of cable glands to DIN 50262*

M	Corner dim.	Side		PG	Corner dim.	Side	
		A/B	C/D			A/B	C/D
12	17,25	96	35	7	17,25	96	35
16	25,30	44	18	9	21,85	56	24
20	27,60	32	15	11	25,30	44	16
25	37,95	18	6	13,5	27,60	32	15
32	48,30	12	5	16	31,05	30	12
40	60,95	6	2	21	37,95	16	6
50	69,00	4	2	29	48,30	12	4
63	74,75	4	1	36	60,95	6	2
				42	69,00	4	2
				48	74,75	4	1

Lid



Base

* Please quote mounting side

Type: . . .23 30 09

External dimensions: 230 x 300 x 85 mm

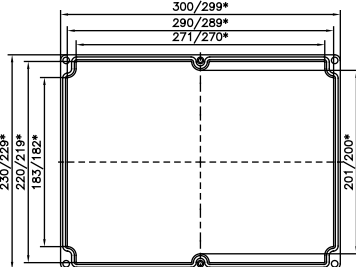
Weight: 1300 g

DIN rail length in mm	max. fitting length in mm	Mounting plate (thickness in mm)	External mounting brackets	External hinge* set	EMC version	Self-adhesive rubber feet set	Silicone lid seal	Sealable lid screw in steel
TS 35								
290	274	2	•	•	•	•	•	

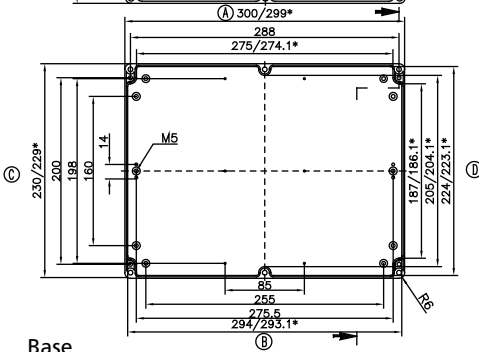
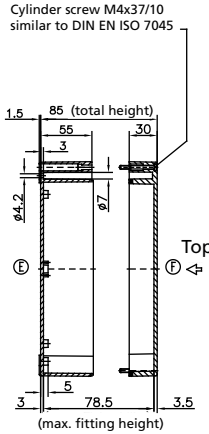
Maximum number of cable glands to DIN 50262*

M	Corner dim.	Side		PG	Corner dim.	Side	
		A/B	C/D			A/B	C/D
12	17,25	42	26	7	17,25	42	26
16	25,30	20	14	9	21,85	24	16
20	27,60	16	9	11	25,30	20	12
25	37,95	6	5	13,5	27,60	16	9
32	48,30	4	4	16	31,05	12	7
40	60,95			21	37,95	6	5
50	69,00			29	48,30	4	3
63	74,75			36	60,95		
				42	69,00		
				48	74,75		

Lid



* = Conical form tapering downwards
Free dimensions-tolerance to DIN 16901 - 130



Base

Type: . . .23 30 11

External dimensions: 230 x 300 x 110 mm

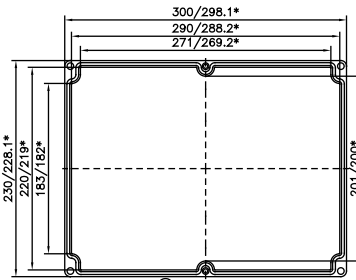
Weight: 1575 g

DIN rail length in mm	max. fitting length in mm	Mounting plate (thickness in mm)	External mounting brackets	External hinge* set	EMC version	Self-adhesive rubber feet set	Silicone lid seal	Sealable lid screw in steel
TS 35								
290	274	2	•	•	•	•	•	

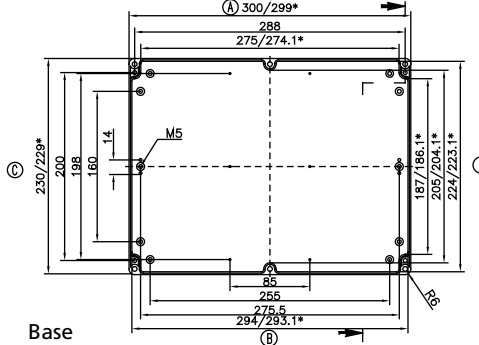
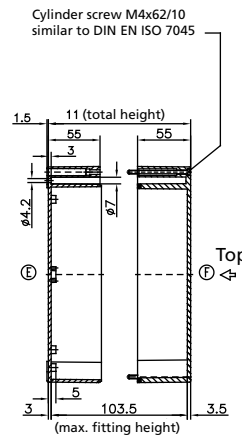
Maximum number of cable glands to DIN 50262*

M	Corner dim.	Side		PG	Corner dim.	Side	
		A/B	C/D			A/B	C/D
12	17,25	42	26	7	17,25	42	26
16	25,30	20	14	9	21,85	24	16
20	27,60	16	9	11	25,30	20	12
25	37,95	6	5	13,5	27,60	16	9
32	48,30	4	4	16	31,05	10	7
40	60,95			21	37,95	6	5
50	69,00			29	48,30	4	3
63	74,75			36	60,95		
				42	69,00		
				48	74,75		

Lid



* = Conical form tapering downwards
Free dimensions-tolerance to DIN 16901 - 130



Base

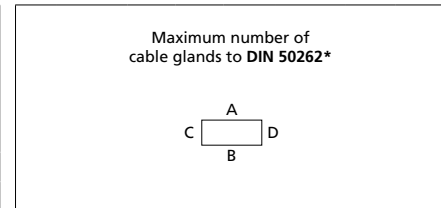
* Please quote mounting side

Type: **09.40 36 15**

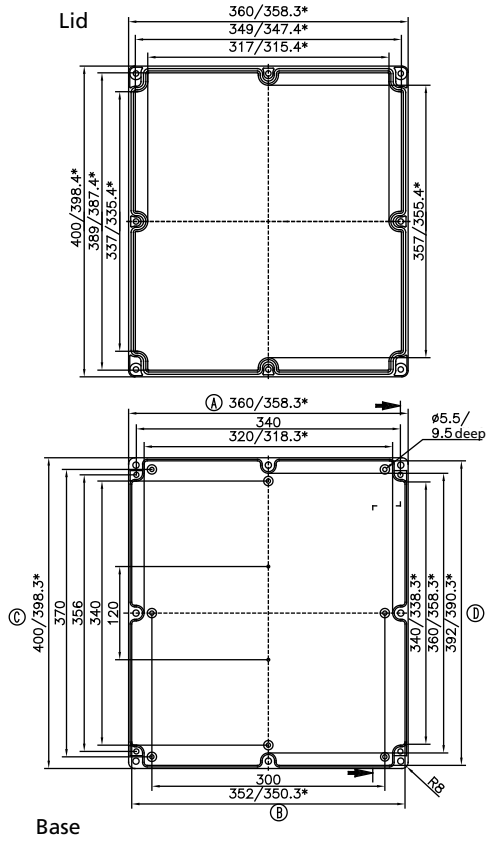
External dimensions: **400 x 360 x 150 mm**

Weight: **2470 g**

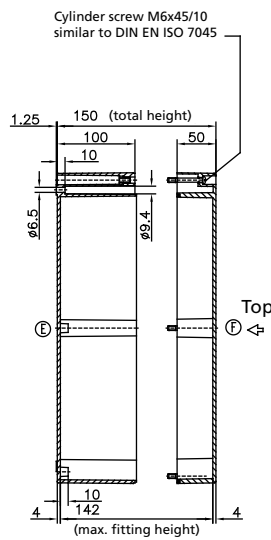
DIN rail length in mm	max. fitting length in mm	Mounting plate (thickness in mm)	External mounting brackets	External hinge* set	EMC version	Self-adhesive rubber feet set	Silicone lid seal	Sealable lid screw in steel
TS 35								
345	300	2,5			•	•	•	



M	Corner dim.	Side		PG	Corner dim.	Side	
		A/B	C/D			A/B	C/D
12	17,25	102	108	7	17,25	96	102
16	25,30	48	48	9	21,85	66	66
20	27,60	40	40	11	25,30	44	48
25	37,95	18	22	13,5	27,60	36	40
32	48,30	12	12	16	31,05	30	30
40	60,95	6	6	21	37,95	18	18
50	69,00	4	4	29	48,30	12	12
63	74,75	4	4	36	60,95	6	6
				42	69,00	4	4
				48	74,75	4	4



* = Conical form tapering downwards
Free dimensions-tolerance to DIN 16901 - 130



* Please quote mounting side

Polycarbonate flange



- Light plastic enclosure for industrial applications with flange pre-embossing
- Combination options with other polycarbonate flange enclosures
- Snap lock technology and flange quick-fixing-system

Included in delivery

Complete closed enclosure body with flange break-out points, lid with plastic quick release fastener; 4 threaded inserts for internal fixing.

Technical data

Material:

Polycarbonate

Colour:

Enclosure: RAL 7032, pebble grey

Ingress protection:

IP 54 to EN 60529

Impact resistance:

7 Joule to EN 60079-0
(flange pre-embossing excepted)

Flammability:

enclosure: V0 / self-extinguishing, UL 94

Insulation:

fully insulated to VDE 0100

Disruptive strength:

enclosure: >18 KV/mm, IEC 60243-1

Seal:

CR round seal

Toxicity:

low-halogen

Surface resistance:

>10¹⁵ Ohm, IEC 60093

Temperature range:

-40°C to +100°C (incl. seals)

Product range

Type	Dimensions W x L x H	Flange openings	Enclosure with lid 20 mm
17.01	170 x 134 x 130	2	17.01 10 00
17.02	170 x 170 x 130	4	17.02 10 00
17.03	170 x 269 x 130	4	17.03 10 00
17.04	269 x 269 x 130	4	17.04 10 00
17.05	269 x 540 x 130	6	17.05 10 00
17.06	269 x 441 x 130	4	17.06 10 00

* transparent lid on request

Accessories (depending on type)

Type	DIN rail TS 32	DIN rail TS 35	Earth rail	Mounting plate
17.01	10.06 17 04	10.06 17 24	10.06 21 00	17.01 60 00
17.02	10.06 17 04	10.06 17 24	10.06 21 00	17.02 60 00
17.03	10.06 17 01	10.06 17 22	10.06 21 01	17.03 60 00
17.04	10.06 17 02	10.06 17 22	10.06 21 01	17.04 60 00
17.05	10.06 17 03	10.06 17 23	10.06 21 02	17.05 60 00
17.06		10.06 17 25	10.06 20 11	17.06 60 00

Accessories (for all types)

Blind flange I	17.00 31 00
Blind flange II	17.00 32 00
PG flange II, 19 x PG9/PG13,5	17.00 34 00
PG flange II, 16 x PG11/PG16	17.00 35 00
PG flange II, 10 x PG9/PG13,5; 4 x PG11/PG16; 2 x PG21/PG29	17.00 33 00
Connection flange I	17.00 36 00
Connection flange II	17.00 37 00
Mounting bracket (set 4 of pcs.), 2 sets required for type 17.05	17.00 42 00
Additional threaded inserts (set of 10 pcs.)	10.03 50 03
External mounting brackets (set of 4 pcs.)	10.03 11 04
Replacement fastening wedges (set of 10 pcs.)	17.00 41 00

Terminal mounting

	Phoenix																					
	DIN rail TS 15	DIN rail TS 35	Voltage (V)	Current (A)	Nom. cross section (mm ²)	Terminal width (mm)	Terminal type															
DIN rail TS 15																						
DIN rail TS 35	X	X	X	X	X	X																
Voltage (V)	1000	1000	1000	1000	1000	1000																
Current (A)	24	32	41	57	76	125																
Nom. cross section (mm ²)	2,5	4	6	10	16	35																
Terminal width (mm)	5,2	6,2	8,2	10,2	12,2	16																
Terminal type																						
Type	UT 2,5	UT 4	UT 6	UT 10	UT 16	UT 35																
17.01 10 00	22	19	14	11	9	7																
17.02 10 00	22	19	14	11	9	7																
17.03 10 00	37	31	23	18	15	12																
17.04 10 00	37*	31*	23*	18*	15*	12*																
17.05 10 00	89*	74*	56*	45*	37*	30*																
17.06 10 00	69*	58*	44*	35*	29*	23*																

* 2 DIN rails possible

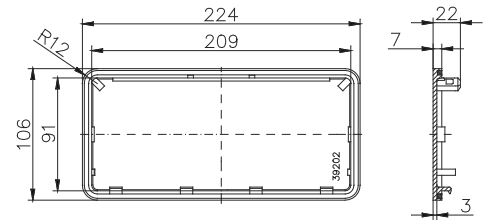
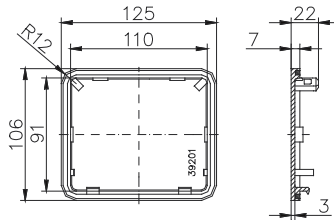
Polycarbonate Flange

Accessories



Blind flange

Order No.	Version
17.00 31 00	Blind flange I (125 x 106 mm)
17.00 32 00	Blind flange II (224 x 106 mm)



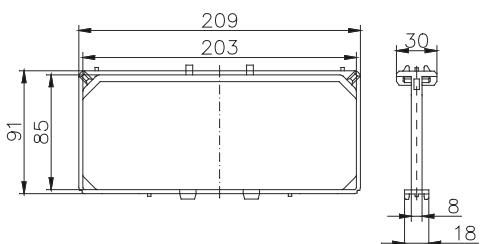
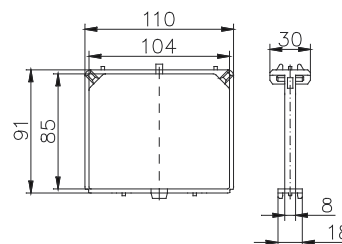
Threaded flange with pre-embossed holes

Order No.	Version
17.00 34 00	19 x PG 9 / PG 13,5
17.00 35 00	16 x PG 11 / PG 16
17.00 33 00	10 x PG 9 / PG 13,5; 4 x PG 11 / PG 16; 2 x PG 21 / PG 29



Connection flange to connect two polycarbonate flange enclosures

Order No.	Version
17.00 36 00	Connection flange I
17.00 37 00	Connection flange II

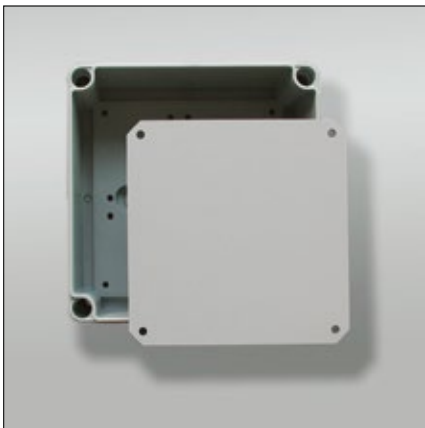
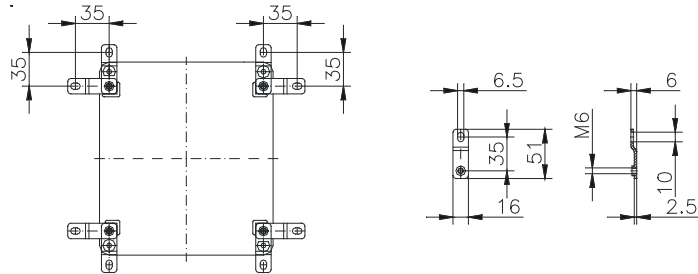


Accessories



External mounting brackets
set = 4 pcs.

Order No. **10.03 11 04**



Mounting plates
for fitting electro-mechanical components



Mounting bracket
set = 4 pcs.

Order No. **17.00 42 00**

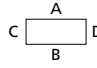
Type: **17.01 10 00**

External dimensions: **170 x 134 x 130 mm**

Weight: **793 g**

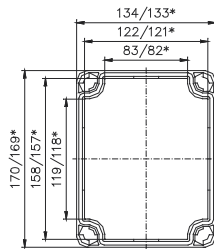
DIN rail length in mm	max. fitting length in mm	Mounting plate (thickness in mm)	External mounting brackets	Hinged lid	No. of flanges		
TS 35							
140	115	3	•	•	2		

Maximum number of cable glands to DIN 50262*

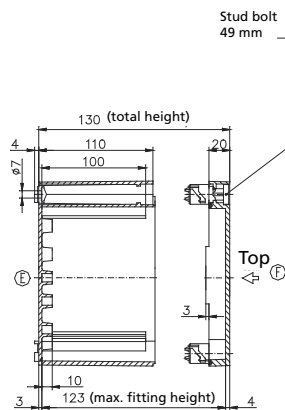
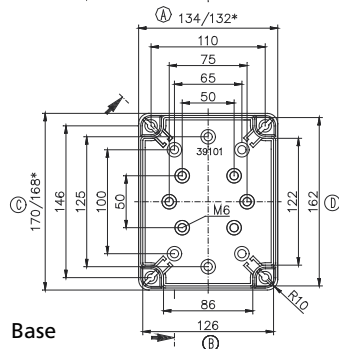


M	Corner dim.	Side		PG	Corner dim.	Side	
		A/B	C/D			A/B	C/D
12	17,25	16	27	7	17,25	16	27
16	25,30	8	12	9	21,85	12	16
20	27,60	6	10	11	25,30	8	12
25	37,95	3	5	13,5	27,60	6	10
32	48,30	2	4	16	31,05	4	9
40	60,95	1	2	21	37,95	3	5
50	69,00	1	1	29	48,30	2	4
63	74,75		1	36	60,95	1	1
				42	69,00	1	1
				48	74,75		1

Lid



* = Conical form tapering downwards
Free dimensions-tolerance to DIN 16901 - 130



Base

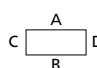
Type: **17.02 10 00**

External dimensions: **170 x 170 x 130 mm**

Weight: **904 g**

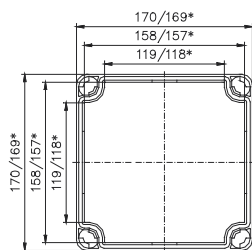
DIN rail length in mm	max. fitting length in mm	Mounting plate (thickness in mm)	External mounting brackets	Hinged lid	No. of flanges		
TS 35							
140	115	3	•	•	4		

Maximum number of cable glands to DIN 50262*

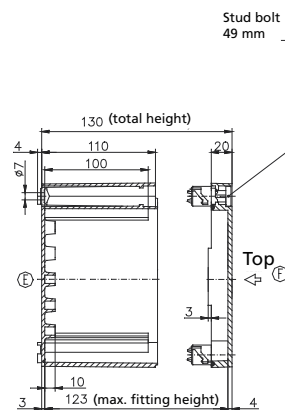
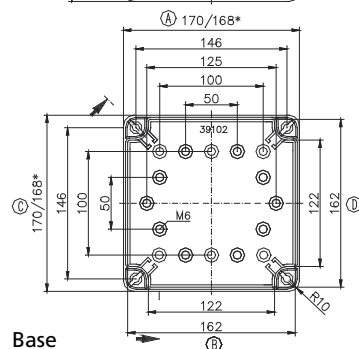


M	Corner dim.	Side		PG	Corner dim.	Side	
		A/B	C/D			A/B	C/D
12	17,25	27	27	7	17,25	27	27
16	25,30	12	12	9	21,85	16	16
20	27,60	10	10	11	25,30	12	12
25	37,95	5	5	13,5	27,60	10	10
32	48,30	4	4	16	31,05	9	9
40	60,95	2	2	21	37,95	5	5
50	69,00	1	1	29	48,30	4	4
63	74,75	1	1	36	60,95	1	1
				42	69,00	1	1
				48	74,75	1	1

Lid



* = Conical form tapering downwards
Free dimensions-tolerance to DIN 16901 - 130



Base

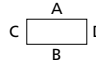
Type: **17.03 10 00**

External dimensions: **170 x 269 x 130 mm**

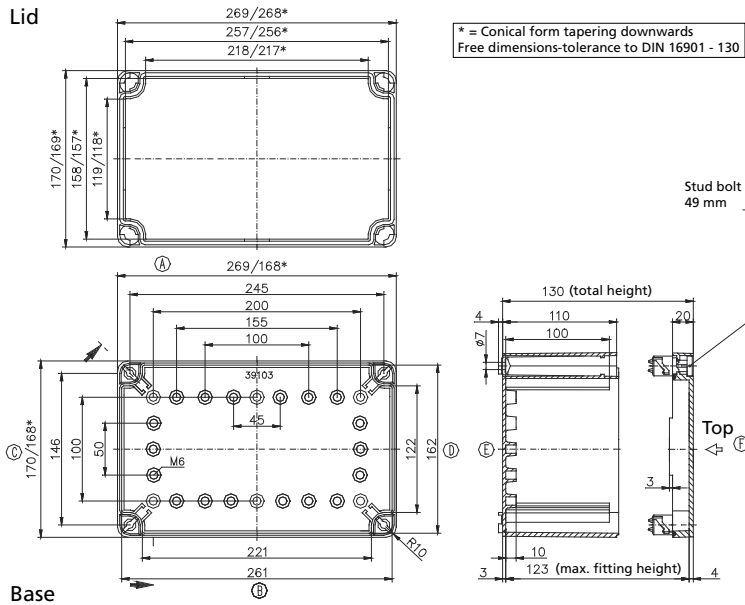
Weight: **1209 g**

DIN rail length in mm	max. fitting length in mm	Mounting plate (thickness in mm)	External mounting brackets	Hinged lid	No. of flanges			
TS 35			•	•	4			
215	190	3	•	•	4			

Maximum number of cable glands to DIN 50262*



M	Corner dim.	Side		PG	Corner dim.	Side	
		A/B	C/D			A/B	C/D
12	17,25	60	27	7	17,25	60	27
16	25,30	28	12	9	21,85	35	16
20	27,60	21	10	11	25,30	28	12
25	37,95	12	5	13,5	27,60	21	10
32	48,30	8	4	16	31,05	18	9
40	60,95	4	2	21	37,95	11	5
50	69,00	3	1	29	48,30	8	4
63	74,75	2	1	36	60,95	3	1
				42	69,00	3	1
				48	74,75	2	1



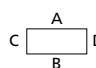
Type: **17.04 10 00**

External dimensions: **269 x 269 x 130 mm**

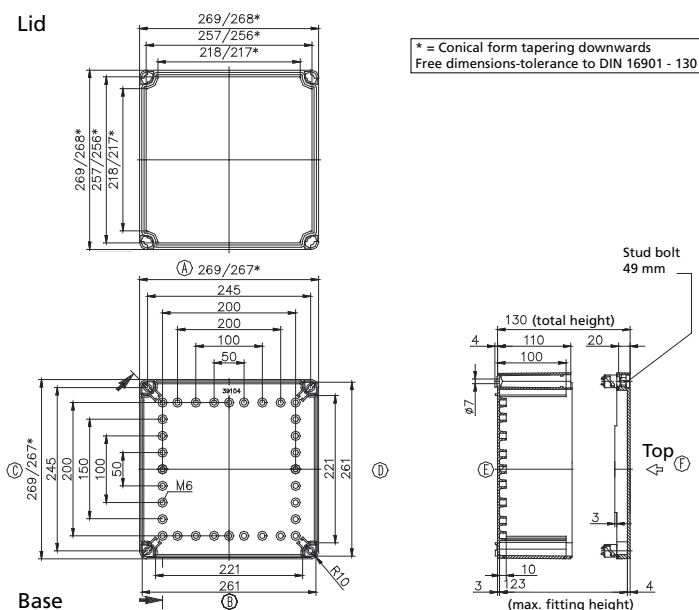
Weight: **1707 g**

DIN rail length in mm	max. fitting length in mm	Mounting plate (thickness in mm)	External mounting brackets	Hinged lid	No. of flanges			
TS 35			•	•	4			
215	190	3	•	•	4			

Maximum number of cable glands to DIN 50262*



M	Corner dim.	Side		PG	Corner dim.	Side	
		A/B	C/D			A/B	C/D
12	17,25	60	60	7	17,25	60	60
16	25,30	28	28	9	21,85	35	35
20	27,60	21	21	11	25,30	28	28
25	37,95	12	12	13,5	27,60	21	21
32	48,30	8	8	16	31,05	18	18
40	60,95	4	4	21	37,95	11	11
50	69,00	3	3	29	48,30	8	8
63	74,75	2	2	36	60,95	3	3
				42	69,00	3	3
				48	74,75	2	2



Type: **17.05 10 . .**

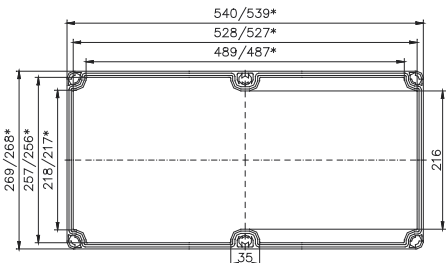
External dimensions: **269 x 540 x 130 mm**

Weight: **3150 g**

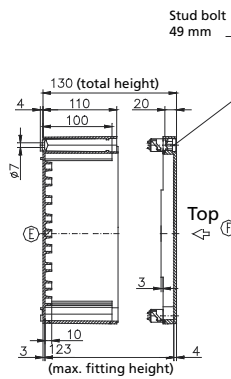
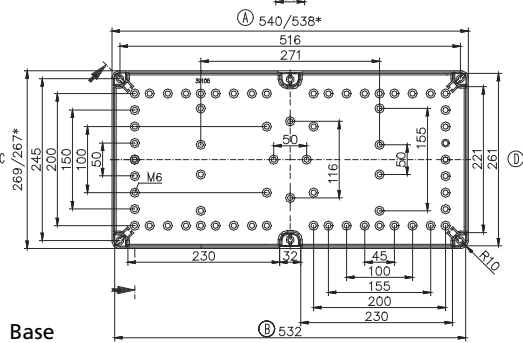
DIN rail length in mm	max. fitting length in mm	Mounting plate (thickness in mm)	External mounting brackets	Hinged lid	No. of flanges			
TS 35								
485	450	3	•	•	6			

Maximum number of cable glands to DIN 50262*

Lid



* = Conical form tapering downwards
Free dimensions-tolerance to DIN 16901 - 130



M	Corner dim.	Side		PG	Corner dim.	Side	
		A/B	C/D			A/B	C/D
12	17,25	120	60	7	17,25	120	60
16	25,30	54	28	9	21,85	70	35
20	27,60	42	21	11	25,30	56	28
25	37,95	24	12	13,5	27,60	42	21
32	48,30	16	8	16	31,05	36	18
40	60,95	8	4	21	37,95	22	11
50	69,00	6	3	29	48,30	16	8
63	74,75	4	2	36	60,95	6	3
				42	69,00	6	3
				48	74,75	4	2

Type: **17.06 10 . .**

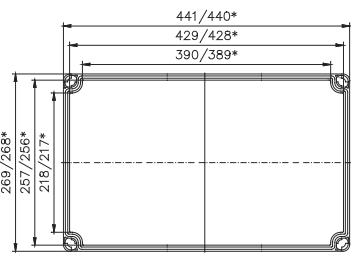
External dimensions: **269 x 441 x 130 mm**

Weight: **2000 g**

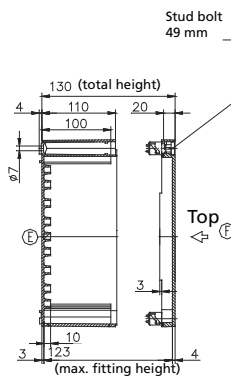
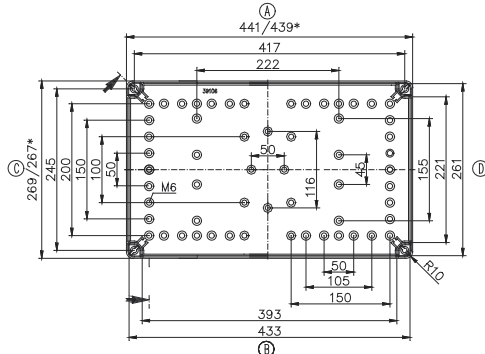
DIN rail length in mm	max. fitting length in mm	Mounting plate (thickness in mm)	External mounting brackets	Hinged lid	No. of flanges			
TS 35								
385	350	3	•	•	4			

Maximum number of cable glands to DIN 50262*

Lid



* = Conical form tapering downwards
Free dimensions-tolerance to DIN 16901 - 130



M	Corner dim.	Side		PG	Corner dim.	Side	
		A/B	C/D			A/B	C/D
12	17,25	60	60	7	17,25	60	60
16	25,30	28	28	9	21,85	35	35
20	27,60	21	21	11	25,30	28	28
25	37,95	12	12	13,5	27,60	21	21
32	48,30	8	8	16	31,05	18	18
40	60,95	4	4	21	37,95	11	11
50	69,00	3	3	29	48,30	8	8
63	74,75	2	2	36	60,95	3	3
				42	69,00	3	3
				48	74,75	2	2

Base

Applications



ECO / PCI Compact enclosures



- Thermoplastic enclosure for industrial applications
- ECO version: base with smooth side walls, lid version standard or transparent
- PCI version: base with knock-outs for cable glands

Technical data

Material:

PS thermoplastic

Colour:

RAL 7035, light grey

special colour on request

Ingress protection:

IP 66 to EN 60529

Impact resistance:

2 Joule to EN 60068-2-75

Flammability:

UL 94 HB

Insulation:

protection class II to VDE 0140

Toxicity:

low halogen

Weather resistance:

generally good, do not expose to direct sun light

Chemical resistance:

generally good, but not resistant to benzine, diesel, oils and fats as well as strong acids

Temperature range:

-25°C to +40°C

Included in delivery

Enclosure consisting of lid, seal incl. captive +/- lid screws, set of screws for fastening, incl. sealing caps.

ECO / PCI Compact enclosures

Product range

Type	Order No.	Dimensions	Type	Order No.	Mounting plate	DIN rail TS 15					DIN rail TS 35							
						49,5 mm	80 mm	92 mm	111 mm	154 mm	81 mm	106 mm	144 mm	216 mm	336 mm			
ECO 01-6	60.07 07 11	65 x 65 x 57	PCI 01-6M	60.07 07 15	•	•												
ECO 01-8	60.07 07 21	65 x 65 x 81			•	•												
ECO 02-6	60.07 09 11	65 x 94 x 57	PCI 02-6M	60.07 09 15	•	•	•											
ECO 02-8	60.07 09 21	65 x 94 x 81			•	•	•											
ECO 03-6	60.09 09 11	94 x 94 x 57	PCI 03-6M	60.09 09 15	•	•												
ECO 03-8	60.09 09 21	94 x 94 x 81			•	•												
ECO 03-6 t	60.09 09 12	94 x 94 x 57			•	•												
ECO 03-8 t	60.09 09 22	94 x 94 x 81			•	•												
ECO 04-6	60.09 13 11	94 x 130 x 57	PCI 04-6M	60.09 13 15	•	•	•	•		•	•							
ECO 04-8	60.09 13 21	94 x 130 x 81			•	•	•	•		•	•							
ECO 04-6 t	60.09 13 12	94 x 130 x 57			•	•	•	•		•	•							
ECO 04-8 t	60.09 13 22	94 x 130 x 81			•	•	•	•		•	•							
ECO 05-7	60.11 11 11	110 x 110 x 66			•	•	•			•								
ECO 05-9	60.11 11 21	110 x 110 x 90	PCI 05-9M	60.11 11 15	•	•	•			•								
ECO 05-7 t	60.11 11 12	110 x 110 x 66			•	•	•			•								
ECO 05-9 t	60.11 11 22	110 x 110 x 90			•	•	•			•								
ECO 06-7	60.13 13 11	130 x 130 x 75	PCI 06-7M	60.13 13 15	•	•	•	•		•	•							
ECO 06-10	60.13 13 21	130 x 130 x 99			•	•	•	•		•	•							
ECO 06-7 t	60.13 13 12	130 x 130 x 75			•	•	•	•		•	•							
ECO 06-10 t	60.13 13 22	130 x 130 x 99			•	•	•	•		•	•							
ECO 07-6	60.09 18 11	94 x 180 x 57	PCI 07-6M	60.09 18 15	•	•				•	•			•				
ECO 07-8	60.09 18 21	94 x 180 x 81			•	•				•	•			•				
ECO 07-6 t	60.09 18 12	94 x 180 x 57			•	•				•	•			•				
ECO 07-8 t	60.09 18 22	94 x 180 x 81			•	•				•	•			•				
ECO 08-9	60.11 18 11	110 x 180 x 90	PCI 08-9M	60.11 18 15	•	•	•			•	•			•				
ECO 08-11	60.11 18 21	110 x 180 x 111	PCI 08-11M	60.11 18 25	•	•	•			•	•			•				
ECO 08-9 t	60.11 18 12	110 x 180 x 90			•	•	•			•	•			•				
ECO 08-11 t	60.11 18 22	110 x 180 x 111			•	•	•			•	•			•				
ECO 09-9	60.18 18 11	180 x 182 x 90	PCI 09-9M	60.18 18 15	•					•				•				
ECO 09-11	60.18 18 21	180 x 182 x 111	PCI 09-11M	60.18 18 25	•					•				•				
ECO 09-16	60.18 18 31	180 x 182 x 165			•					•				•				
ECO 09-9 t	60.18 18 12	180 x 182 x 90			•					•				•				
ECO 09-11 t	60.18 18 22	180 x 182 x 111			•					•				•				
ECO 09-16 t	60.18 18 32	180 x 182 x 165			•					•				•				
ECO 10-6	60.18 25 10	180 x 254 x 63	PCI 10-6M	60.18 25 05	•					•				•	•			
ECO 10-9	60.18 25 11	180 x 254 x 90	PCI 10-9M	60.18 25 15	•					•				•	•			
ECO 10-11	60.18 25 21	180 x 254 x 111	PCI 10-11M	60.18 25 25	•					•				•				
ECO 10-16	60.18 25 31	180 x 254 x 165			•					•				•				
ECO 10-6t	60.18 25 09	180 x 254 x 63			•					•				•	•			
ECO 10-9 t	60.18 25 12	180 x 254 x 90			•					•				•				
ECO 10-11 t	60.18 25 22	180 x 254 x 111			•					•				•				
ECO 10-16 t	60.18 25 32	180 x 254 x 165			•					•				•	•			
ECO 11-11	60.25 36 11	254 x 361 x 111	PCI 11-11M	60.25 36 15	•											•	•	
ECO 11-16	60.25 36 21	254 x 361 x 165			•											•	•	
ECO 11-11 t	60.25 36 12	254 x 361 x 111			•											•	•	
ECO 11-16 t	60.25 36 22	254 x 361 x 165			•											•	•	

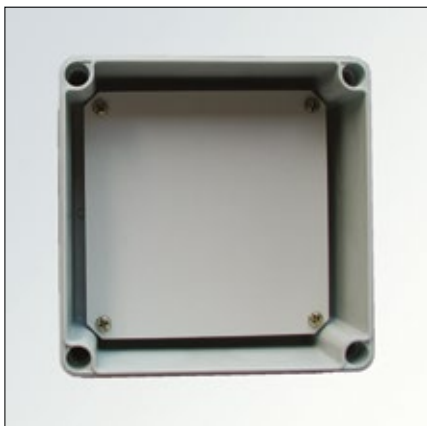
t = Transparent lid

ECO / PCI Compact enclosures

Accessories

External mounting brackets	60.00 04 00
External hinge (pair) to ECO/PCI 07- (small)	60.00 04 07
External hinge (pair) from ECO/PCI 08- (large)	60.00 04 08
Knurled screw (set)	60.00 04 01
Spacers (set = 8 pcs.)	60.00 04 02

Accessories



Mounting plate

made of plastic, 2,5 mm thick, incl. self-tapping fastening screws and spacers

Order No.	
60.00 01 01	for ECO/PCI 01-
60.00 01 02	for ECO/PCI 02-
60.00 01 03	for ECO/PCI 03-
60.00 01 04	for ECO/PCI 04-
60.00 01 05	for ECO/PCI 05-
60.00 01 06	for ECO/PCI 06-
60.00 01 07	for ECO/PCI 07-
60.00 01 08	for ECO/PCI 08-
60.00 01 09	for ECO/PCI 09-
60.00 01 10	for ECO/PCI 10-
60.00 01 11	for ECO/PCI 11-



DIN rails

Order No.	
TS 15	
60.00 02 01	49,5 mm for ECO/PCI 01/02-
60.00 02 02	80 mm for ECO/PCI 02/03-
60.00 02 03	92 mm for ECO/PCI 04/05-
60.00 02 04	111 mm for ECO/PCI 04/06-
60.00 02 05	154 mm for ECO/PCI 07-
TS 35/7,5	
60.00 03 01	81 mm for ECO/PCI 05-
60.00 03 02	106 mm for ECO/PCI 04/06-
60.00 03 03	144 mm for ECO/PCI 07/08/09-
60.00 03 04	216 mm for ECO/PCI 10-
60.00 03 05	336 mm for ECO/PCI 11-



Set of hinges

set = 2 pcs.

Order No.	
60.00 04 07	to ECO/PCI 07- (small)
60.00 04 08	from ECO/PCI 08- (large)

Accessories



External fasteners
set = 4 pcs.

Order No. **60.00 04 00**



Knurled screws
to clip on the lid screw as a hand turn lock
set = 4 pcs.

Order No. **60.00 04 01**



Spacers
6 and 8 mm, plastic, for desired spacings between PCB's or mounting plates
set = 8 pcs.

Order No. **60.00 04 02**



Double membrane connecting plug
IP 66, with 2 integrated sealing membranes, interference fit without counter-nut, for wall thicknesses of 1.5 - 4.5 mm

Order No.		Sealing range (mm)
60.00 05 16	50 pcs. M 16	5 - 9
60.00 05 20	50 pcs. M 20	7 - 12
60.00 05 25	50 pcs. M 25	9 - 16
60.00 05 32	50 pcs. M 32	14- 21

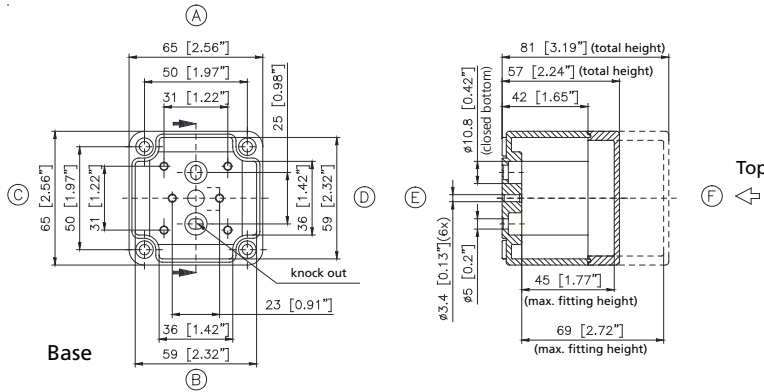


Ventilation plug
with labyrinth seal to prevent the formation of condensation; IP x 4; for wall thicknesses of 1.5 - 4.5 mm

Order No.	
60.00 04 20	100 pcs. M 20

Type: **60.07 07 . .**

Type	Order No.	Dimensions	Weight	DIN rail length in mm	max. fitting length in mm	Mounting plate (thickness in mm)	External mounting brackets	External hinge* set	Knurled screw set	Spacers set = 8 pcs.
ECO 01-6	60.07 07 11	65 x 65 x 57	127 g							
PCI 01-6M	60.07 07 15	65 x 65 x 57	82 g							
ECO 01-8	60.07 07 21	65 x 65 x 81	117 g							
				TS 15						
				49,5	39,5	2,5	•	•	•	•

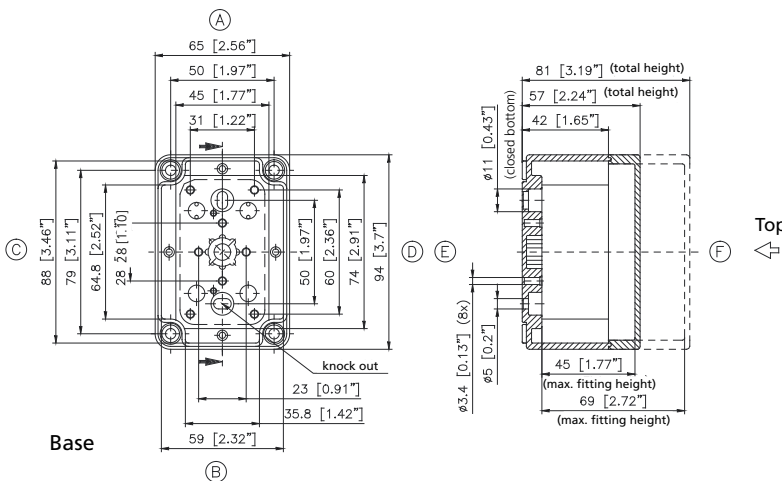


Maximum number of cable glands to **50262***

M	Corner dim.	Side		PG	Corner dim.	Side	
		A/B	C/D			A/B	C/D
ECO							
12	17,25	2	2	7	17,25	1	1
16	25,30	1	1	9	21,85	1	1
20	27,60	1	1	11	25,30	1	1
25	37,95			13,5	27,60	1	1
32	48,30			16	31,05	1	1
40	60,95			21	37,95		
50	69,00			29	48,30		
63	74,75			36	60,95		
PCI							
Pre-embossing for enclosure version				Enclosure side			
PG	M	A	B	C	D		
11/16		1	1	1	1		
	16/20	1	1	1	1		

Type: **60.07 09 . .**

Type	Order No.	Dimensions	Weight	DIN rail length in mm	max. fitting length in mm	Mounting plate (thickness in mm)	External mounting brackets	External hinge* set	Knurled screw set	Spacers set = 8 pcs.
ECO 02-6	60.07 09 11	65 x 94 x 57	118 g							
PCI 02-6M	60.07 09 15	65 x 94 x 57	101 g							
ECO 02-8	60.07 09 21	65 x 94 x 81	144 g							
				TS 15						
				80	70	2,5	•	•	•	•



Maximum number of cable glands to **50262***

M	Corner dim.	Side		PG	Corner dim.	Side	
		A/B	C/D			A/B	C/D
ECO							
12	17,25	2	3	7	17,25	1	3
16	25,30	1	2	9	21,85	1	2
20	27,60	1	2	11	25,30	1	2
25	37,95			13,5	27,60	1	2
32	48,30			16	31,05	1	2
40	60,95			21	37,95		
50	69,00			29	48,30		
63	74,75			36	60,95		
PCI							
Pre-embossing for enclosure version				Enclosure side			
PG	M	A	B	C	D		
11/16		1	1	2	2		
	16/20	1	1	2	2		

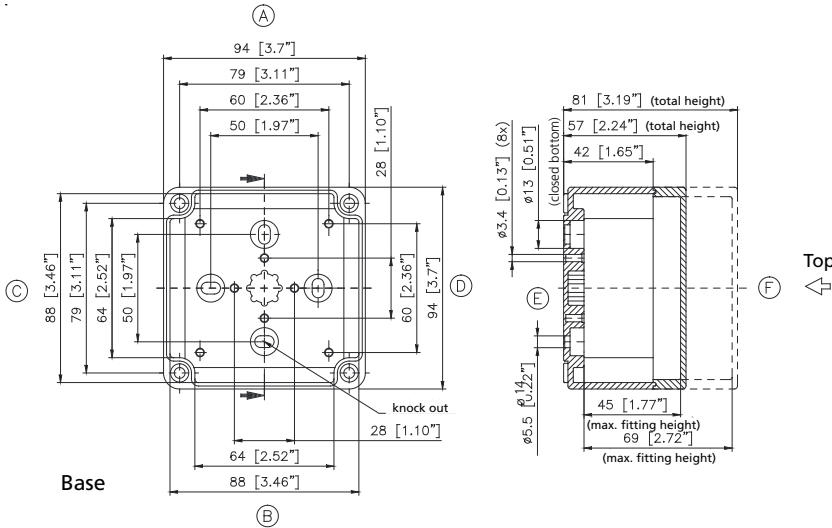
* Please quote mounting side

Type: **60.09 09 . .**

Type	Order No.	Dimensions	Weight	DIN rail length in mm	max. fitting length in mm	Mounting plate (thickness in mm)	External mounting brackets	External hinge* set	Knurled screw set	Spacers set = 8 pcs.
ECO 03-6	60.09 09 11	94 x 94 x 57	133 g							
PCI 03-6M	60.09 09 15	94 x 94 x 57	300 g							
ECO 03-8	60.09 09 21	94 x 94 x 81	300 g							
ECO 03-6t	60.09 09 12	94 x 94 x 57	300 g							
ECO 03-8t	60.09 09 22	94 x 94 x 81	192 g							

Maximum number of cable glands to 50262*

M	Eckmaß	Seite		PG	Eckmaß	Seite	
		A/B	C/D			A/B	C/D
ECO							
12	17,25	3	3	7	17,25	3	3
16	25,30	2	2	9	21,85	2	2
20	27,60	2	2	11	25,30	2	2
25	37,95			13,5	27,60	2	2
32	48,30			16	31,05	2	2
40	60,95			21	37,95		
50	69,00			29	48,30		
63	74,75			36	60,95		
PCI							
Pre-embossing for enclosure version				Enclosure side			
PG	M	A	B	C	D		
11/16		2	1	2	2		
	16/20	2	1	2	2		

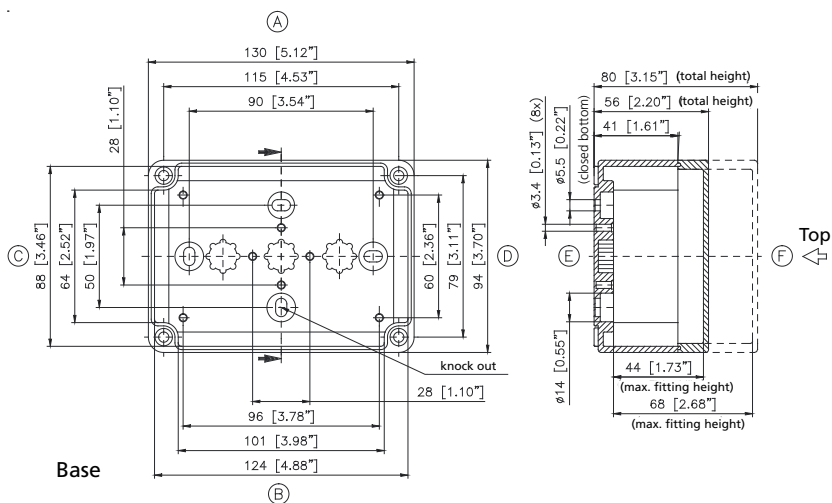


Type: **60.09 13 . .**

Type	Order No.	Dimensions	Weight	DIN rail length in mm	max. fitting length in mm	Mounting plate (thickness in mm)	External mounting brackets	External hinge* set	Knurled screw set	Spacers set = 8 pcs.
ECO 04-6	60.09 13 11	94 x 130 x 57	210 g							
PCI 04-6M	60.09 13 15	94 x 130 x 57	153 g							
ECO 04-8	60.09 13 21	94 x 130 x 81	400 g							
ECO 04-6t	60.09 13 12	94 x 130 x 57	220 g							
ECO 04-8t	60.09 13 22	94 x 130 x 81	360 g							

Maximum number of cable glands to 50262*

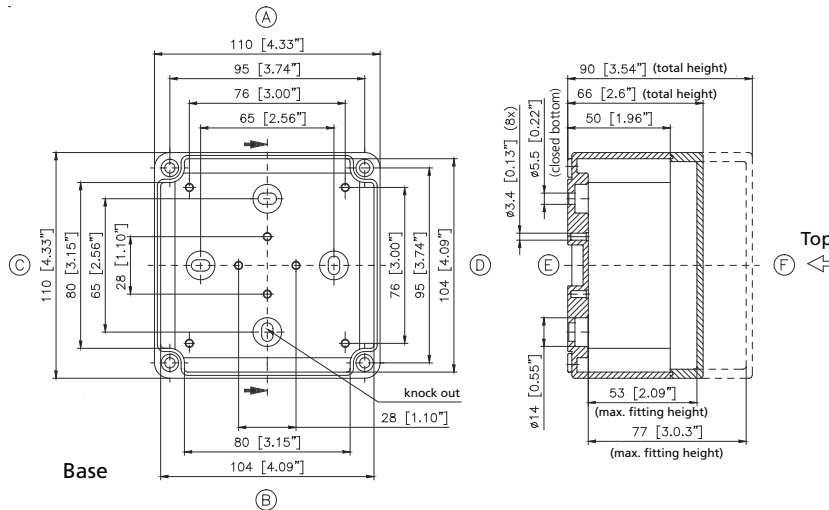
M	Eckmaß	Seite		PG	Eckmaß	Seite	
		A/B	C/D			A/B	C/D
ECO							
12	17,25	5	3	7	17,25	5	3
16	25,30	4	2	9	21,85	4	2
20	27,60	3	2	11	25,30	4	2
25	37,95			13,5	27,60	3	2
32	48,30			16	31,05	3	2
40	60,95			21	37,95		
50	69,00			29	48,30		
63	74,75			36	60,95		
PCI							
Pre-embossing for enclosure version				Enclosure side			
PG	M	A	B	C	D		
11/16		3	3	2	2		
	16/20	3	3	2	2		



* Please quote mounting side

Type: **60.11 11 . .**

Type	Order No.	Dimensions	Weight	DIN rail length in mm	max. fitting length in mm	Mounting plate (thickness in mm)	External mounting brackets	External hinge* set	Knurled screw set	Spacers set = 8 pcs.
ECO 05-	60.11 11 11	110 x 110 x 66	360 g							
ECO 05-9	60.11 11 15	110 x 110 x 90	309 g							
PCI 05-9M	60.11 11 21	110 x 110 x 90	400 g							
ECO 05-7t	60.11 11 12	110 x 110 x 66	183 g							
ECO 05-9t	60.11 11 22	110 x 110 x 90	275 g							
				TS 15/35						
				92	82	2,5	•	•	•	•



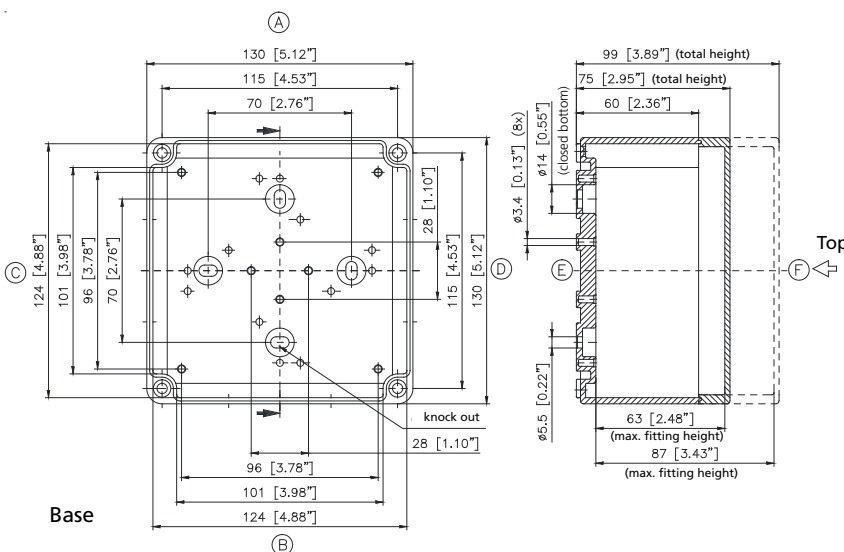
Maximum number of cable glands to 50262*

		A				D	
		C		B			

M	Eck- maß	Seite		PG	Eck- maß	Seite	
		A/B	C/D			A/B	C/D
ECO							
12	17,25	8	8	7	17,25	8	8
16	25,30	4	4	9	21,85	3	3
20	27,60	2	2	11	25,30	3	3
25	37,95	2	2	13,5	27,60	2	2
32	48,30	1	1	16	31,05	2	2
40	60,95			21	37,95	2	2
50	69,00			29	48,30		
63	74,75			36	60,95		
PCI							
Pre-embossing for enclosure version				Enclosure side			
PG	M	A	B	C	D		
11/16		2	1	2	2		
	16/20	2	1	2	2		

Type: **60.13 13 . .**

Type	Order No.	Dimensions	Weight	DIN rail length in mm	max. fitting length in mm	Mounting plate (thickness in mm)	External mounting brackets	External hinge* set	Knurled screw set	Spacers set = 8 pcs.
ECO 06-7	60.13 13 11	130 x 130 x 75	330 g							
PCI 06-7M	60.13 13 15	130 x 130 x 75	227 g							
ECO 06-10	60.13 13 21	130 x 130 x 99	345 g							
ECO 06-7t	60.13 13 12	130 x 130 x 75	244 g							
ECO 06-10t	60.13 13 22	130 x 130 x 99	307 g							
				TS 15/35						
				106	96	2,5	•	•	•	•



Maximum number of cable glands to 50262*

		A				D	
		C		B			

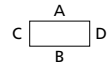
M	Eck- maß	Seite		PG	Eck- maß	Seite	
		A/B	C/D			A/B	C/D
ECO							
12	17,25	13	13	7	17,25	10	10
16	25,30	8	8	9	21,85	8	8
20	27,60	3	3	11	25,30	8	8
25	37,95	3	3	13,5	27,60	3	3
32	48,30	2	2	16	31,05	3	3
40	60,95	1	1	21	37,95	2	2
50	69,00			29	48,30	2	2
63	74,75			36	60,95		
PCI							
Pre-embossing for enclosure version				Enclosure side			
PG	M	A	B	C	D		
16/21		2	1	2	2		
	20/25	2					
	20		3	3	3		
	25/32	1					

* Please quote mounting side

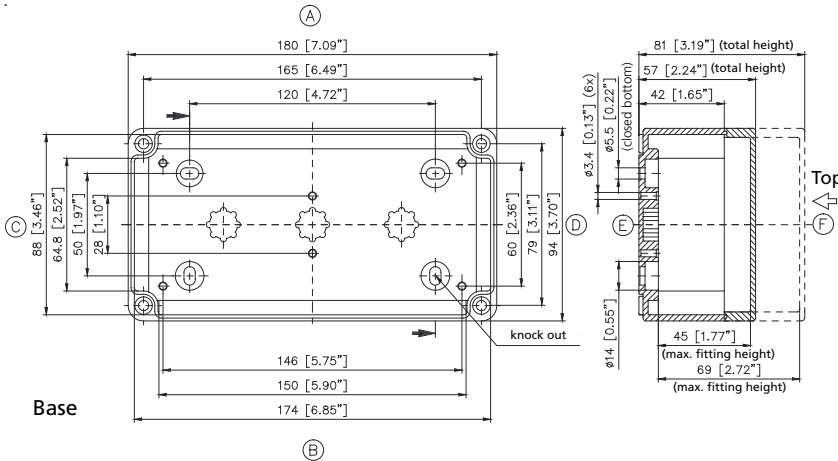
Type: **60.09 18 . .**

Type	Order No.	Dimensions	Weight	DIN rail length in mm	max. fitting length in mm	Mounting plate (thickness in mm)	External mounting brackets	External hinge* set	Knurled screw set	Spacers set = 8 pcs.
ECO 07-6	60.09 18 11	94 x 180 x 57	208 g	TS 15/35	144	134	2,5	•	•	•
PCI 07-6M	60.09 18 15	94 x 180 x 57	260 g							
ECO 07-8	60.09 18 21	94 x 180 x 81	425 g							
ECO 07-6t	60.09 18 12	94 x 180 x 57	217 g							
ECO 07-8t	60.09 18 22	94 x 180 x 81	340 g							

Maximum number of cable glands to 50262*



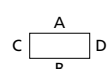
M	Eckmaß	Seite		PG	Eckmaß	Seite	
		A/B	C/D			A/B	C/D
ECO							
12	17,25	8	3	7	17,25	7	3
16	25,30	6	2	9	21,85	6	2
20	27,60	4	2	11	25,30	5	2
25	37,95			13,5	27,60	5	2
32	48,30			16	31,05	4	2
40	60,95			21	37,95		
50	69,00			29	48,30		
63	74,75			36	60,95		
PCI							
Pre-embossing for enclosure version				Enclosure side			
PG	M	A	B	C	D		
11/16		5	5	2	2		
	16/20	5	5	2	2		



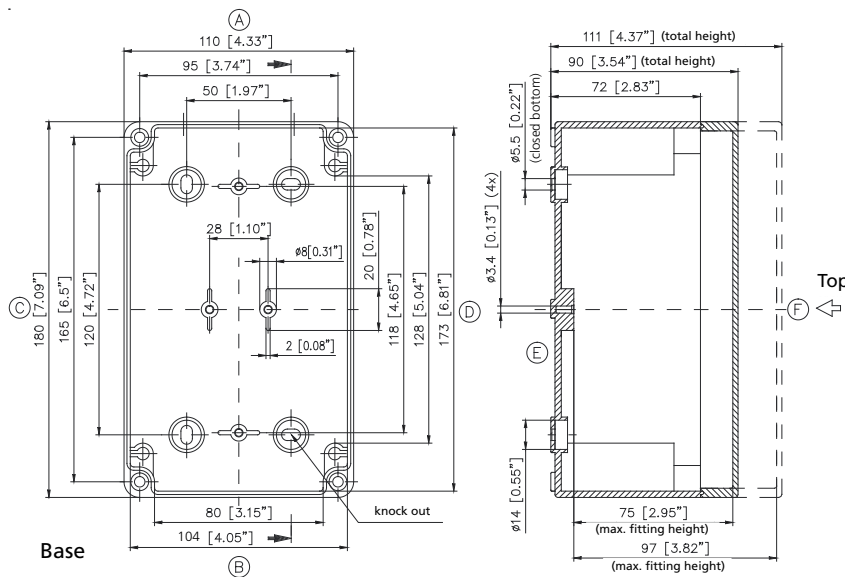
Type: **60.11 18 . .**

Type	Order No.	Dimensions	Weight	DIN rail length in mm	max. fitting length in mm	Mounting plate (thickness in mm)	External mounting brackets	External hinge* set	Knurled screw set	Spacers set = 8 pcs.
ECO 08-9	60.11 18 11	110 x 180 x 90	396 g	TS 15/35	144	134	2,5	•	•	•
PCI 08-9M	60.11 18 15	110 x 180 x 90	340 g							
ECO 08-11	60.11 18 21	110 x 180 x 111	524 g							
PCI 08-11M	60.11 18 25	110 x 180 x 111	358 g							
ECO 08-9t	60.11 18 12	110 x 180 x 90	340 g							
ECO 08-11t	60.11 18 22	110 x 180 x 111	384 g							

Maximum number of cable glands to 50262*



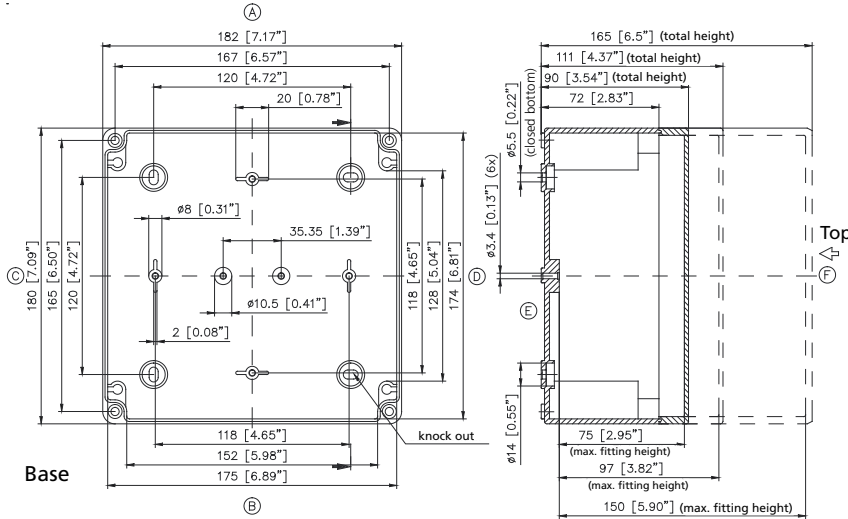
M	Eckmaß	Seite		PG	Eckmaß	Seite	
		A/B	C/D			A/B	C/D
ECO							
12	17,25	12	18	7	17,25	12	18
16	25,30	6	10	9	21,85	6	10
20	27,60	5	8	11	25,30	6	10
25	37,95	5	3	13,5	27,60	6	8
32	48,30	2	3	16	31,05	4	8
40	60,95	1	2	21	37,95	2	3
50	69,00	1	1	29	48,30	1	2
63	74,75			36	60,95	1	1
PCI							
Pre-embossing for enclosure version				Enclosure side			
PG	M	A	B	C	D		
16		4	4	4	4		
16/21		1	1				
21/29				1	1		
	20	4	4	4	4		
	20/25	1	1				
	32/40			1	1		



* Please quote mounting side

Type: **60.18 18 . .**

Type	Order No.	Dimensions	Weight	DIN rail length in mm	max. fitting length in mm	Mounting plate (thickness in mm)	External mounting brackets	External hinge* set	Knurled screw set	Spacers set = 8 pcs.
ECO 09-9	60.18 18 11	180 x 182 x 90	670 g							
PCI 09-9M	60.18 18 15	180 x 182 x 90	454 g							
ECO 09-11	60.18 18 21	180 x 182 x 111	712 g							
PCI 09-11M	60.18 18 25	180 x 182 x 111	550 g							
ECO 09-16	60.18 18 31	180 x 182 x 165	940 g							
ECO 09-9t	60.18 18 12	180 x 182 x 90	467 g							
ECO 09-11t	60.18 18 22	180 x 182 x 111	529 g							
ECO 09-16t	60.18 18 32	180 x 182 x 165	692 g							
				TS 35						
				144	134	2,5	•	•	•	•

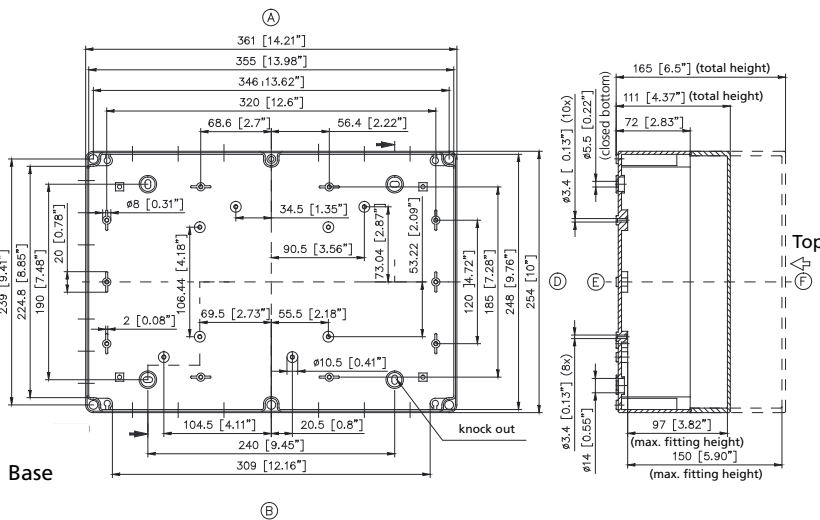


Maximum number of cable glands to 50262*

M	Eckmaß	Seite		PG	Eckmaß	Seite	
		A/B	C/D			A/B	C/D
ECO							
12	17,25	21	18	7	17,25	21	18
16	25,30	11	9	9	21,85	12	10
20	27,60	9	7	11	25,30	12	10
25	37,95	7	5	13,5	27,60	10	8
32	48,30	3	3	16	31,05	10	8
40	60,95	3	2	21	37,95	4	3
50	69,00	2	1	29	48,30	3	2
63	74,75			36	60,95	2	2
PCI							
Pre-embossing for enclosure version				Enclosure side			
PG	M	A	B	C	D		
16		8	8	4	4		
21/29		1	1	1	1		
	20	8	8	4	4		
	32/40	1	1	1	1		

Type: **60.25 36 . .**

Type	Order No.	Dimensions	Weight	DIN rail length in mm	max. fitting length in mm	Mounting plate (thickness in mm)	External mounting brackets	External hinge* set	Knurled screw set	Spacers set = 8 pcs.
ECO 11-11	60.25 36 11	254 x 361 x 111	1390 g							
PCI 11-11M	60.25 36 15	254 x 361 x 111	1130 g							
ECO 11-16	60.25 36 21	254 x 361 x 165	1423 g							
ECO 11-11t	60.25 36 12	254 x 361 x 111	1185 g							
ECO 11-16t	60.25 36 22	254 x 361 x 165	1960 g							
				TS 35						
				336	326	2,5	•	•	•	•



Maximum number of cable glands to 50262*

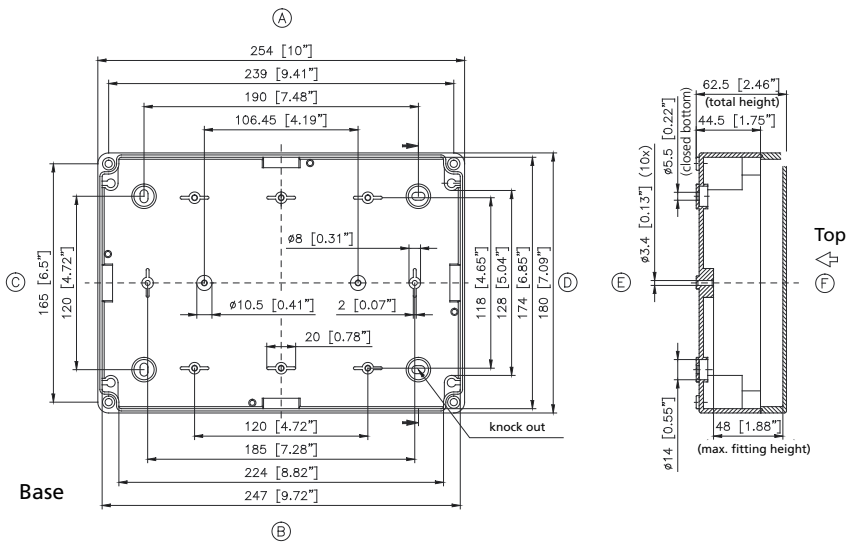
M	Eckmaß	Seite		PG	Eckmaß	Seite	
		A/B	C/D			A/B	C/D
ECO							
12	17,25	42	33	7	17,25	42	33
16	25,30	24	18	9	21,85	24	20
20	27,60	18	15	11	25,30	24	18
25	37,95	14	11	13,5	27,60	20	16
32	48,30	6	5	16	31,05	16	14
40	60,95	4	4	21	37,95	8	6
50	69,00	4	3	29	48,30	6	4
63	74,75			36	60,95	4	3
PCI							
Pre-embossing for enclosure version				Enclosure side			
PG	M	A	B	C	D		
16		8	8	8	8		
16/21				2	2		
21/29		2	2	1	1		
	20	8	8	8	8		
	25/32			2	2		
	32/40	2	2	1	1		

* Please quote mounting side

Type: **60.18 25 . .**

Type	Order No.	Dimensions	Weight	DIN rail length in mm	max. fitting length in mm	Mounting plate (thickness in mm)	External mounting brackets	External hinge* set	Knurled screw set	Spacers set = 8 pcs.
ECO 10-6	60.18 25 10	180 x 254 x 63	640 g							
PCI 10-6M	60.18 25 05	180 x 254 x 63	640 g							
ECO 10-9	60.18 25 11	180 x 254 x 90	840 g							
PCI 10-9M	60.18 25 15	180 x 254 x 90	850 g							
ECO 10-11	60.18 25 21	180 x 254 x 111	942 g							
PCI 10-11M	60.18 25 25	180 x 254 x 111	810 g							
ECO 10-16	60.18 25 31	180 x 254 x 165	1250 g							
ECO 10-16t	60.18 25 09	180 x 254 x 63	640 g							
ECO 10-9t	60.18 25 12	180 x 254 x 90	622 g							
ECO 10-11t	60.18 25 22	180 x 254 x 111	681 g							
ECO 10-16t	60.18 25 32	180 x 254 x 165	1250 g							

Maximum number of cable glands to 50262*							
M	Eckmaß	Seite		PG	Eckmaß	Seite	
		A/B	C/D			A/B	C/D
ECO							
12	17,25	5	3	7	17,25	5	3
16	25,30	4	2	9	21,85	4	2
20	27,60	3	2	11	25,30	4	2
25	37,95			13,5	27,60	3	2
32	48,30			16	31,05	3	2
40	60,95			21	37,95		
50	69,00			29	48,30		
63	74,75			36	60,95		
PCI							
Pre-embossing for enclosure version		Enclosure side					
PG	M	A	B	C	D		
PCI 10-6							
	16/20	6	6	2	2		
	25/32	1	1	1	1		
PCI 10-9, 10-11							
16		8	8	4	4		
16/21		2	2				
21/29		1	1	1	1		
	20	8	8	4	4		
	25/32	2	2				
	32/40	1	1	1	1		



* Please quote mounting side



UL certification only for PG 21



- Enclosure system with hidden external hinge
- Standard version or with window
- Polycase version with integrated handle

Technical data

Material:

glass fibre reinforced duroplastic polyester

Colour:

RAL 7038, agate grey

special colour on request

Ingress protection:

IP 66 to EN 60529

Flammability:

self-extinguishing, UL 94 V-0

Insulation:

fully insulated to VDE 0100

Disruptive strength:

18 KV/mm, IEC 60243-1

Toxicity:

halogen-free

Surface resistance:

$>10^{12}$ Ohm, IEC 60093

Door opening angle:

135°

Temperature range:

-40°C to +100°C

window version: -40°C to +80°C

Included in delivery

Enclosure consisting of base and door; please order door lock separately, press-in inserts in base for internal and external mounting

Product range

Polyglas / Polycase	Dimensions (mm) W x L x H	Polyglas	Weight (g)	Polyglas with window and lock	Polycase* without window with handle	Weight (g)	Polycase* with window and handle
Size 1	300 x 400 x 200	21.30 40 00	4388	22.30 40 00	23.30 40 00	5510	24.30 40 00
Size 2	400 x 600 x 250	21.40 60 00	7300	22.40 60 00	23.40 60 00	8400	24.40 60 00

* Please specify fitting side

Note: Enclosure will be supplied without lock, please order separately!

Optional lock (loose)

Triangular lock 8 mm (2 pcs.)	21.61 00 03
Square lock 8 mm (2 pcs.)	21.61 00 04
Square lock 7 mm (2 pcs.)	21.61 00 14
Daimler-Benz lock (2 pcs.)	21.61 00 06
Double ward lock 3 mm (2 pcs.)	21.61 00 07
Knob (2 pcs.)	21.61 00 01
Knob with lock (2 pcs.)	21.61 00 02

Accessories (loose)

Mounting plate for size 1 (galvanized sheet steel)	10.01 12 03
Mounting plate for size 2 (galvanized sheet steel)	10.01 12 04
External mounting brackets (4 pcs.)	10.03 10 09
Hole lids for fastening through base (4 pcs.)	10.03 90 01
Socket spanner, triangular 8 mm	10.04 70 03
Socket spanner, square 8 mm	10.04 70 04
Socket spanner, square 7 mm	10.04 70 14
Socket spanner, Daimler-Benz	10.04 70 06
Socket spanner, knob 3 mm	10.04 70 07

Accessories



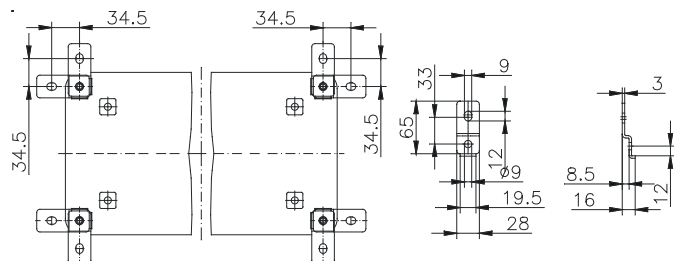
Mounting plates

Order No.	for size
10.01 12 03	300 x 400 mm
10.01 12 04	400 x 600 mm



External mounting brackets

Order No. **10.03 10 09**

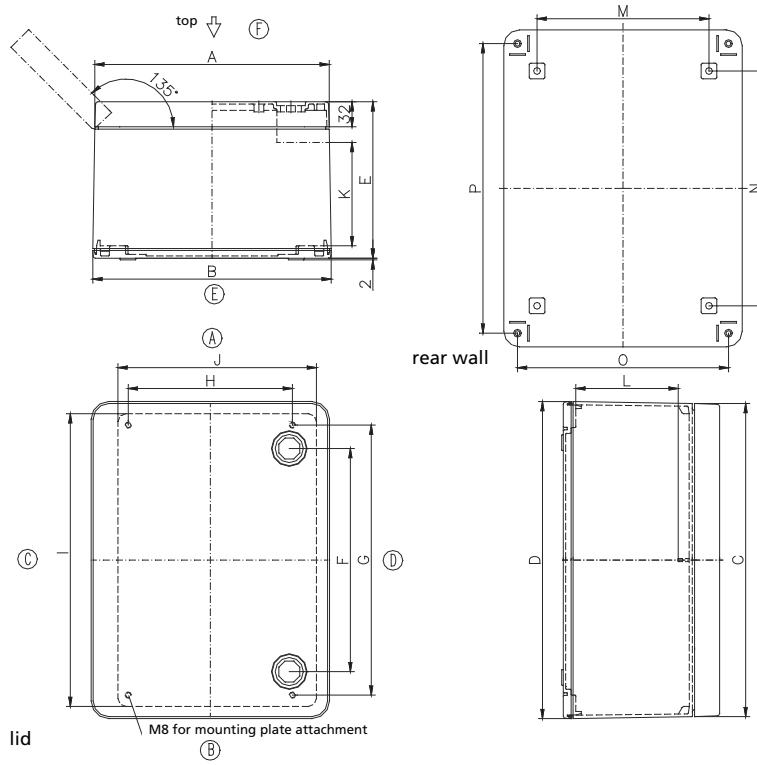


Polyglas / Polycase

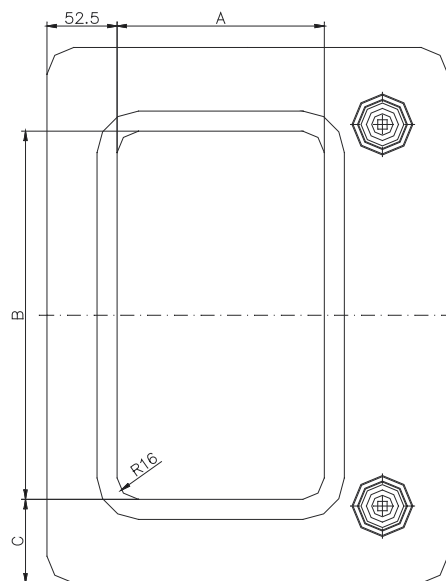
Dimensions

Polyglas

Type	A	B	C	D	E	F	G	H	I	J	K	L	M	N	O	P
21.30 40	300	305	400	405	200	285	345	210	370	254	132	169	220	300	270	370
21.40 60	400	406	600	605	250	478	545	310	566	352	181	217	320	500	370	570



Polycase



Windows

Type	A	B	C
22.30 40	153	275	62,5
22.40 60	250	450	75

Applications



Mini-Polyglas



UL certification only for PG 21



- Mini polyglas enclosure with hidden external hinge for MCR technology
- Standard version or with window

Technical data

Material:

glass fibre reinforced duroplastic polyester

Colour:

RAL 7038, agate grey

special colour on request

Ingress protection:

IP 66 to EN 60529

Flammability:

V0 / self-extinguishing, UL 94

Insulation:

fully insulated to VDE 0100

Disruptive strength:

18 KV/mm, IEC 60243-1

Toxicity:

halogen-free

Surface resistance:

$>10^{12}$ Ohm, IEC 60093

Door opening angle:

120°

Temperature range:

-40°C to +100°C

window version: -40°C to +80°C

Included in delivery

Enclosure consisting of base and door; please order door lock separately, press-in inserts in base for internal mounting

Product range

Mini-Polyglas	Dimensions (mm) W x L x H	Weight (g)	Mini-Polyglas	Mini-Polyglas with window	Mounting plate (sheet steel, loose)
Size 1	120 x 200 x 100	1240	21.12 20 00	22.12 20 00	10.01 12 07
Size 2	160 x 260 x 100	1900	21.16 26 00	22.16 26 00	10.01 12 08
Size 3	160 x 340 x 100	2000	21.16 34 00	22.16 34 00	10.01 12 09
Size 4	200 x 150 x 100	1380	21.20 15 00	22.20 15 00	10.01 12 10
Size 5	200 x 200 x 170	2068	21.20 20 00	22.20 20 00	10.01 12 01
Size 6	200 x 300 x 170	2990	21.20 30 00	22.20 30 00	10.01 12 02

Note: Standard delivery enclosure without locking screws, please order separately

Verschlusschrauben wahlweise (lose)

Triangular screw 8 mm (2 pcs.)	21.63 00 03
Square screw 8 mm (2 pcs.)	21.63 00 04
Square screw 6 mm (2 pcs.)	21.63 00 24
Philip screw (2 pcs.)	21.63 00 05

Accessories (lose)

External mounting brackets (4 pcs.)	10.03 10 08
Socket spanner, triangular 8 mm	10.04 70 03
Socket spanner, square 8 mm	10.04 70 04
Philips socket spanner	10.04 70 05

Accessories



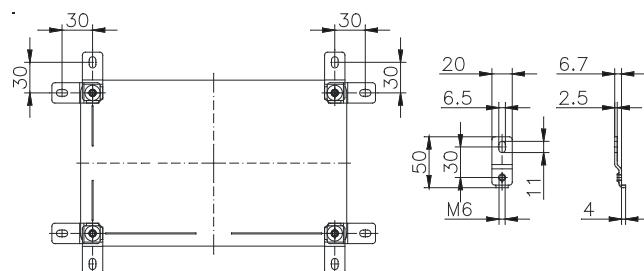
Mounting plates

Order No.	for type
10.01 12 07	21.12 20
10.01 12 08	21.16 26
10.01 12 09	21.16 34
10.01 12 10	21.20 15
10.01 12 01	21.20 20
10.01 12 02	21.20 30



External mounting brackets set = 4 pcs.

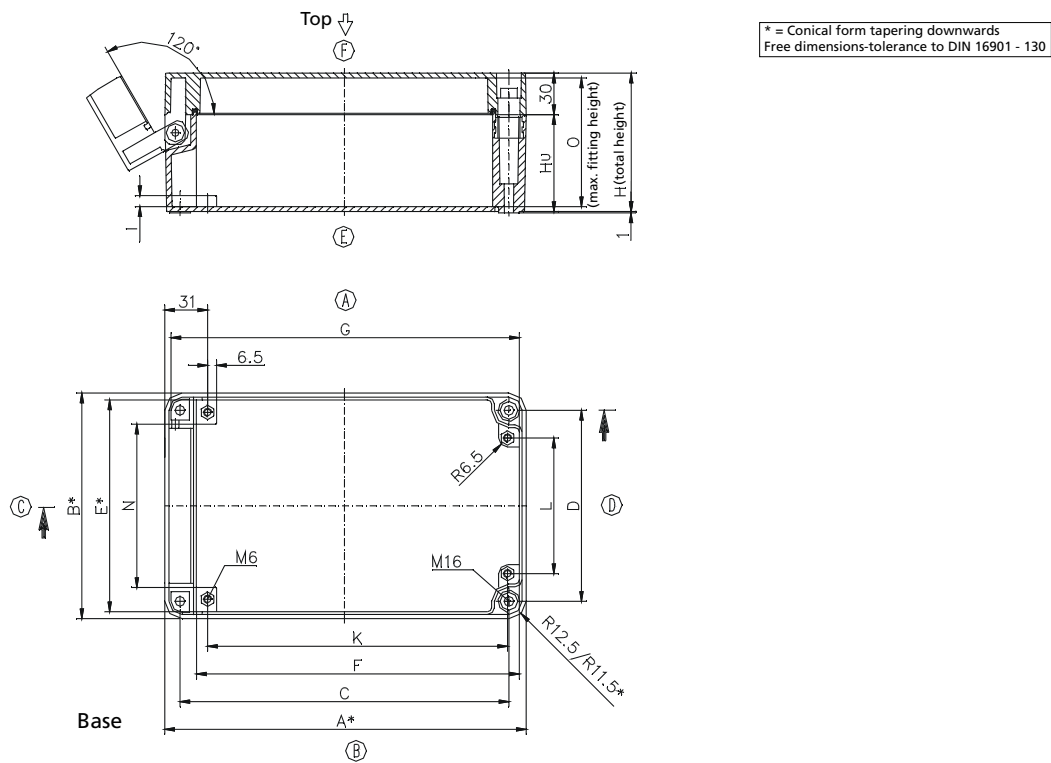
Order No. **10.03 10 08**



Mini-Polyglas

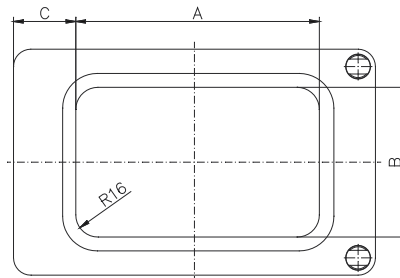
Dimensions

Type	A	B	C	D	E	F	G	I	K	L	M	N	H _U	H _{Ges.}
21.12 20	201,5/155*	123/120,5*	178	98	113/111*	173,5	190	7	157	58	95	78	70	100
21.16 26	261,5/259*	163/160,5*	238	138	153/151*	233,5	250	8	217	98	118	118	70	100
21.16 34	341,5/339*	163/160,5*	318	138	153/151*	313,5	330	7,5	297	98	118	118	70	100
21.20 15	151,5/149*	203/200,5*	128	178	193/191*	123,5	140	8,5	88	175	158	158	70	100
21.20 20	200/197*	200/197*	175	175	190/187*	173	188	8,5	135	170	149	149	138	168
21.20 30	300/297*	200/197*	275	175	190/187*	273	288	8,5	235	170	149	149	138	168



Windows

Type	A	B	C
22.12 20 00	116	66	45
22.16 26 00	176	108	45
22.16 34 00	256	108	45
22.20 15 00	66	147	45
22.20 20 00	120	120	45
22.20 30 00	210	120	45



Applications



Polyester / ABS cabinets



- Enclosure system with hinged lid for MCR technology
- Standard version or with window panel or transparent door (ABS)

Included in delivery

Enclosure consisting of base and door, please order door lock separately, press-in inserts in base for internal and external mounting.

Technical data

Material:

glass fibre reinforced duroplastic polyester / ABS

Colour:

Polyester: RAL 7032, pebble grey

ABS: RAL 7035, light grey

special colour on request

Ingress protection:

IP 65 to EN 60529

Impact resistance:

7 Joule to EN 60079-0

Flammability:

Polyester: self-extinguishing, UL 94 V-0

ABS: UL 94 HB

Insulation:

fully insulated to VDE 0100

Disruptive strength:

Polyester: 26 KV/mm, IEC 60243-1

ABS: 24 KV/mm, IEC 60243-1

Toxicity:

halogen-free

Surface resistance:

Polyester: 4×10^{15} Ohm, IEC 60093

ABS: 4×10^{14} Ohm, IEC 60093

Door opening angle:

135°

Temperature range:

Polyester: -55°C to +90°C

with window: -55°C to +80°C

ABS: -40°C to +70°C

Product range

	Dimensions (mm) W x L x H	Weight (g)	ABS	ABS with transparent door	GFK	GFK with window
Size 1	200 x 250 x 150	748	21.20 25 90	22.20 25 90	-	-
Size 2	250 x 300 x 170	1248	21.25 30 90	22.25 30 90	-	-
Size 1	200 x 250 x 150	1300	-	-	21.20 25 00	22.20 25 00
Size 2	250 x 300 x 170	2530	-	-	21.25 30 00	22.25 30 00

Note: Standard delivery enclosure without locking screws, please order separately

Optional lock (loose)

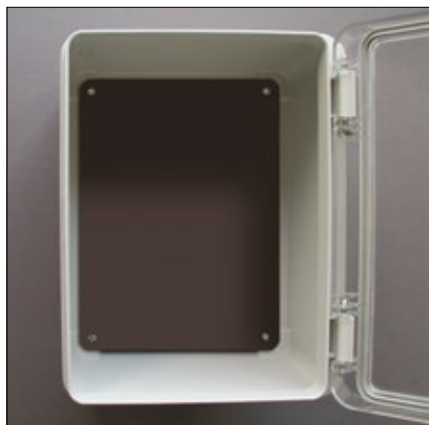
Triangular lock 8 mm (1 pc.)	21.62 00 03
Square lock 8 mm (1 pc.)	21.62 00 04
Knob (1 pc.)	21.62 00 01
Knob with lock (1 pc.)	21.62 00 02

Accessories (loose)

Mounting plate for size 1 (hard paper)	10.01 12 05
Mounting plate for size 2 (hard paper)	10.01 12 06
Internal aluminium front plate with stud bolt for size 1	10.01 31 01
Internal aluminium front plate with stud bolt for size 2	10.01 31 02
External mounting brackets (4 pcs.)	10.03 10 10
Hole covers for fastening through the cabinet bottom (4 pcs.)	10.03 90 02
Socket spanner, triangular 8 mm	10.04 70 03
Socket spanner, triangular 8 mm	10.04 70 04

Polyester / ABS cabinets

Accessories



Mounting plate

Order No.	for type
10.01 12 05	21.20 25
10.01 12 06	21.25 30



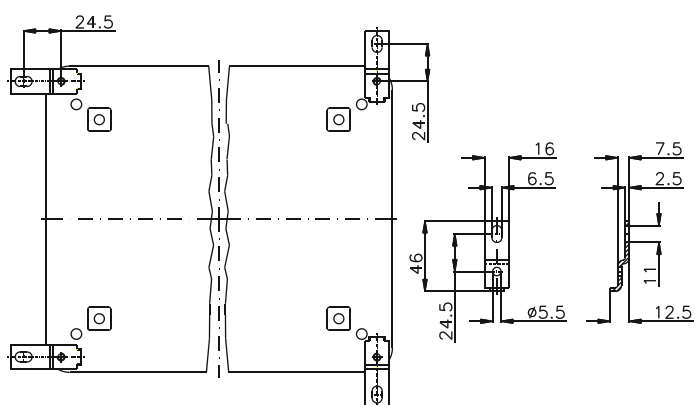
Internal front plate with stud bolt

Order No.	for type
10.01 31 01	21.20 25
10.01 31 02	21.25 30



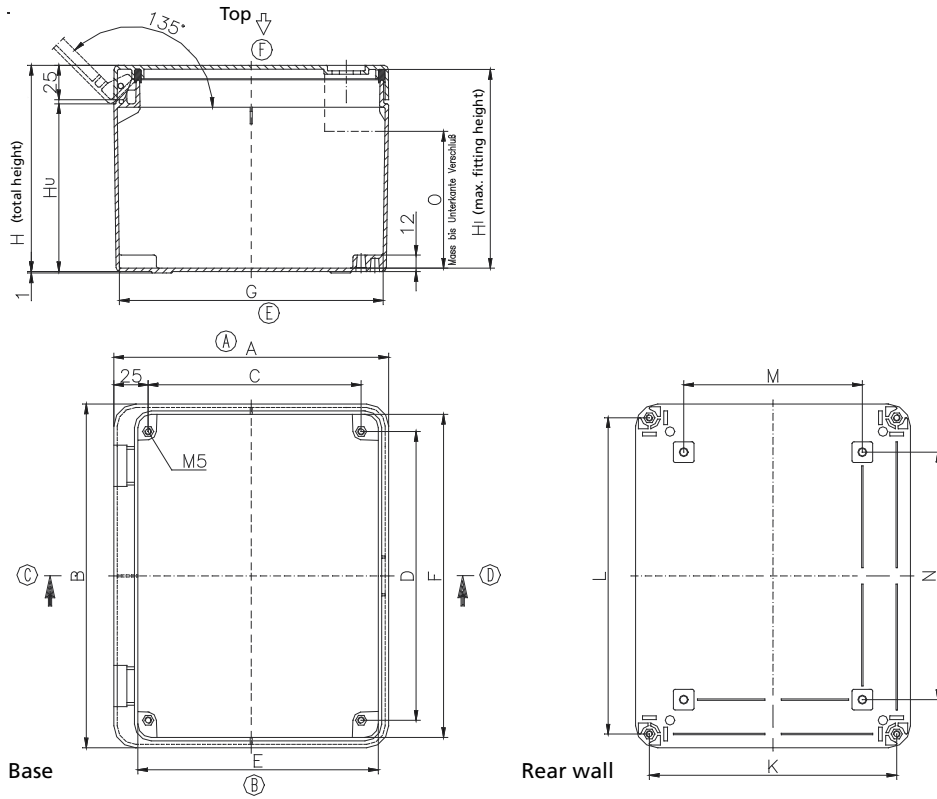
External mounting brackets

Order No. **10.03 10 10**



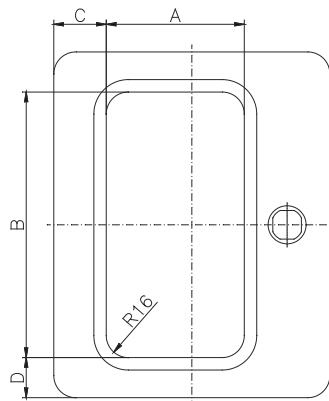
Dimensions

Type	A	B	C	D	E	F	G	K	L	M	M	O	H _I	H _U	H _{Ges.}
21./22.20 25 00	200	250	155	210	174	236,5	194	180	230	130	180	100	144	122	150
21./22.25 30 00	250	300	205	260	223	285	243	230	280	180	230	119	164	142	170
21./22.20 25 90	200	250	155	210	174	236,5	194	180	230	130	180	100	144	122	150
21./22.25 30 90	250	300	205	260	223	285	243	230	280	180	230	119	164	142	170



Window (with polyester version)

Type	A	B	C	D
21.20 25	100	192	38	29
21.25 30	145	242	43	29





- Break proof polyamide enclosure for individual fitting of 22.5 mm control switches (lid mounting or base mounting) and pilote lamps
- Execution with 22.5 mm lid holes or without lid holes
- Gland holes M20 / M25 on two sides

Including in delivery:

Enclosure consisting of lid and base with screws base with M20 and M25 hole for cable entry; mounting possibility of TS 35/7,5 mm DIN rails and adaption plates of several manufacturer

Technical data

Material:

Polyamide 6

Ingress protection:

IP 65, EN 60529

Impact resistance:

7 Joule, EN 60079-0

Surface resistance:

10^{12} Ohm, IEC 60093

Flammability:

UL 94 V-2

Colour:

Base: RAL 9005, jet black

Top: RAL 7035, light grey

Temperature range:

-20°C to +60°C

Type: **31.10 01 00**

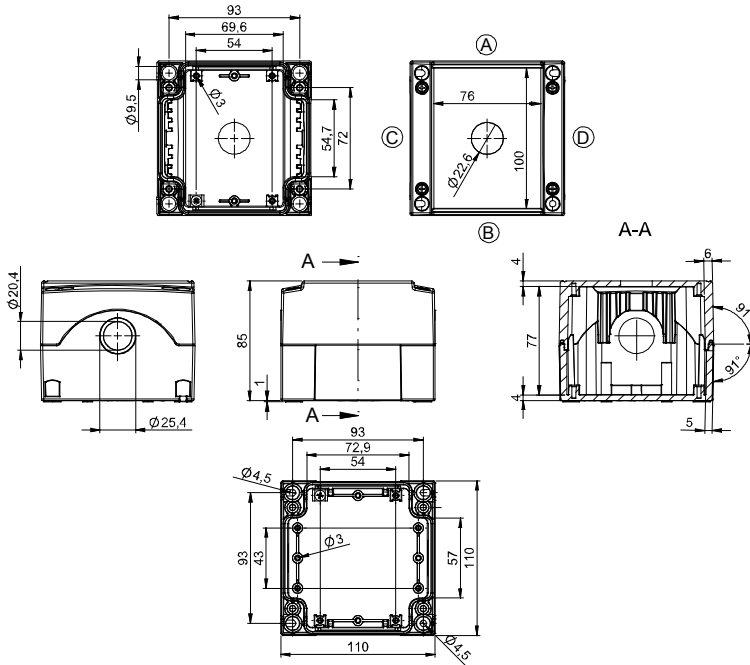
External dimensions: **110 x 110 x 85 mm**

Weight: **250 g**

DIN rail length in mm	max fitting length in mm	Mounting plate (thickness in mm)	External mounting brackets	Lid safety strip	EMC version	Allen lid screws	Silicone lid seal	Sealable lid screws
TS 35								
100	72			•	•		•	

Maximum number of cable glands to DIN 50262*

M	Corner dim.	Side		PG	Corner dim.	Side	
		A/B	C/D			A/B	C/D
12	17,25	20	1	7	17,25	20	1
16	25,30	8	1	9	21,85	15	1
20	27,60	7	1	11	25,30	8	1
25	37,95	4	1	13,5	27,60	7	1
32	48,30			16	31,05	6	1
40	60,95			21	37,95	4	
50	69,00			29	48,30		
63	74,75			36	60,95		
				42	69,00		
				48	74,75		



Type: **31.10 02 00**

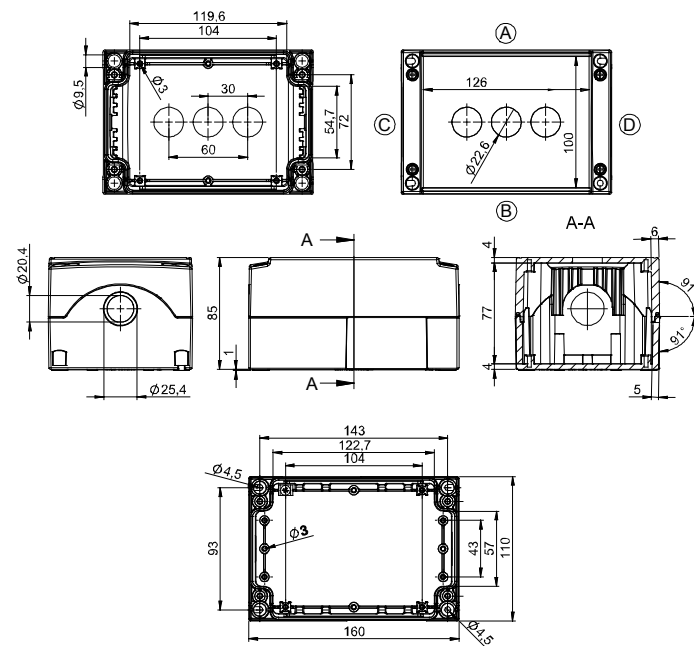
External dimensions: **110 x 160 x 85 mm**

Weight: **315 g**

DIN rail length in mm	max fitting length in mm	Mounting plate (thickness in mm)	External mounting brackets	Lid safety strip	EMC version	Allen lid screws	Silicone lid seal	Sealable lid screws
TS 35								
150	122			•	•		•	

Maximum number of cable glands to DIN 50262*

M	Corner dim.	Side		PG	Corner dim.	Side	
		A/B	C/D			A/B	C/D
12	17,25	28	1	7	17,25	27	1
16	25,30	12	1	9	21,85	18	1
20	27,60	12	1	11	25,30	12	1
25	37,95	5	1	13,5	27,60	12	1
32	48,30	3	1	16	31,05	10	1
40	60,95			21	37,95	5	1
50	69,00			29	48,30	3	
63	74,75			36	60,95		
				42	69,00		
				48	74,75		



Type: **31.10 03 00**

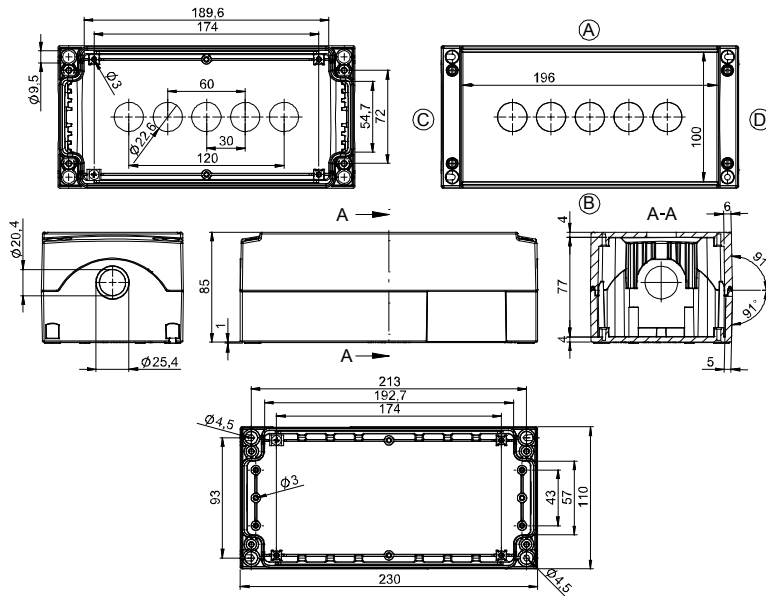
External dimensions: **110 x 230 x 85 mm**

Weight: **410 g**

DIN rail length in mm	max. fitting length in mm	Mounting plate (thickness in mm)	External mounting brackets	Lid safety strip	EMC version	Allen lid screws	Silicone lid seal	Sealable lid screws
TS 35								
220	192			•	•		•	

Maximum number of cable glands to DIN 50262*

M	Corner dim.	Side		PG	Corner dim.	Side	
		A/B	C/D			A/B	C/D
12	17,25	20	1	7	17,25	20	1
16	25,30	8	1	9	21,85	15	1
20	27,60	7	1	11	25,30	8	1
25	37,95	4	1	13,5	27,60	7	1
32	48,30			16	31,05	6	1
40	60,95			21	37,95	4	
50	69,00			29	48,30		
63	74,75			36	60,95		
				42	69,00		
				48	74,75		



Cable glands



- Cable glands, blind plugs and counter-nuts of polyamide and brass
- High protection type
- Metric and PG version

Technical data

Material:

Polyamide / brass

Colour:

Polyamid: RAL 7035, light grey

Brass: nickel plated surface

Ingress protection:

up to IP 68

Plastic Cable glands polyamide



Type	Cable gland
Material	polyamide 6 V2
Colour	light grey, RAL 7035
Ingress protection	IP 68 - 5 bar
Temperature range	-20°C to +100°C

Type	Cable Ø	AF*	TL*	Order No.
PG				
7	3 - 6,5	15	8	08.02 02 07
9	4 - 8	19	8	08.02 02 09
11	5 - 10	22	8	08.02 02 11
13,5	6 - 12	24	9	08.02 02 13
16	10 - 14	27	10	08.02 02 16
21	13 - 18	33	11	08.02 02 21
29	18 - 25	42	11	08.02 02 29
36	22 - 32	53	13	08.02 02 36
42	30 - 38	60	13	08.02 02 42
48	34 - 44	65	14	08.02 02 48
Metric				
M 12 x 1,5	3 - 6	15	8	08.08 05 12
M 16 x 1,5	5 - 10	20	8	08.08 05 16
M 20 x 1,5	8 - 13	24	8	08.08 05 20
M 25 x 1,5	11 - 17	29	8	08.08 05 25
M 32 x 1,5	15 - 21	36	10	08.08 05 32
M 40 x 1,5	19 - 28	46	10	08.08 05 40
M 50 x 1,5	27 - 35	55	12	08.08 05 50
M 63 x 1,5	32 - 42	68	12	08.08 05 63



Type	Blind plug
Material	polyamide 6
Colour	light grey, RAL 7035
Ingress protection	IP 54 IP 66 with additional sealing washer
Temperature range	-40°C to +100°C

Type	Cable Ø	AF*	TL*	Order No.
PG				
7			6	08.02 06 07
9			6,5	08.02 06 09
11			6,5	08.02 06 11
13,5			6,5	08.02 06 13
16			6,5	08.02 06 16
21			8	08.02 06 21
29			8	08.02 06 29
Metrisch				
M 12 x 1,5			6	08.09 05 12
M 16 x 1,5			6	08.09 05 16
M 20 x 1,5			6	08.09 05 20
M 25 x 1,5			8	08.09 05 25
M 32 x 1,5			8	08.09 05 32
M 40 x 1,5			8	08.09 05 40

* AF: width across flats
TL: thread length

Plastic Cable glands accessories



Type	Counter nut
Material	polyamide 6
Colour	light grey, RAL 7035
Temperature range	-20°C to +80°C

Type	Cable Ø	AF*	TL*	Order No.
PG				
7		19		08.02 09 07
9		22		08.02 09 09
11		24		08.02 09 11
13,5		27		08.02 09 13
16		30		08.02 09 16
21		36		08.02 09 21
29		46		08.02 09 29
36		60		08.02 09 36
42		65		08.02 09 42
48		70		08.02 09 48
Metric				
M 12 x 1,5		18		08.09 07 12
M 16 x 1,5		22		08.09 07 16
M 20 x 1,5		26		08.09 07 20
M 25 x 1,5		32		08.09 07 25
M 32 x 1,5		41		08.09 07 32
M 40 x 1,5		50		08.09 07 40
M 50 x 1,5		60		08.09 07 50
M 63 x 1,5		75		08.09 07 63



Type	Seal
Material	HD-Polyethylene
Colour	transparent
Temperature range	-30°C to +70°C
metric on request	

Type	Cable Ø	AF*	TL*	Order No.
PG				
7				08.00 08 07
9				08.00 08 09
11				08.00 08 11
13,5				08.00 08 13
16				08.00 08 16
21				08.00 08 21
29				08.00 08 29
36				08.00 08 36



Type	Blending protection
Material	polyamide 6 V2
Colour	jet black, RAL 9005
Ingress protection	IP 68 - 5 bar
Temperature range	-20°C to +100°C

Type	Cable Ø	AF*	TL*	Order No.
Metric				
M 12 x 1,5	3 - 6,5	15	8	08.10 01 12
M 16 x 1,5	5 - 10	22	15	08.10 01 16
M 20 x 1,5	6 - 12	24	11	08.10 01 20
M 25 x 1,5	13 - 18	33	15	08.10 01 25



Type	Pressure balance element
Material	polyamide 6
Colour	jet black RAL 9005 light grey RAL 7035
Ingress protection	IP 68 / IP 69K
Air flow rate	0,8 l/min at 0,1 bar ΔP 7,6 l/min at 1 bar ΔP
Temperature range	-40°C to +105°C

Type	Colour	AF*	TL*	Order No.
Metric				
M 12 x 1,5	jet black	17	6,5	08.50 01 12
M 12 x 1,5	light grey	17	6,5	08.50 02 12
M 12 x 1,5	light grey	17	10	08.50 04 12

* AF: width across flats
TL: thread length

Brass Cable glands and accessories



Type	Cable gland
Material	brass nickel-plated
Sealing insert	NBR
Ingress protection	IP 68
Temperature range	-40°C to +100°C

Type	Cable Ø	AF*	TL*	Order No.
PG				
7	3 - 6,5	14	6	08.04 03 07
9	4 - 8	17	6	08.04 03 09
11	5 - 10	20	6	08.04 03 11
13,5	6 - 12	22	6,5	08.04 03 13
16	10 - 14	24	6,5	08.04 03 16
21	13 - 18	30	7	08.04 03 21
29	18 - 25	40	8	08.04 03 29
36	22 - 32	50	10	08.04 03 36
42	30 - 38	58	12	08.04 03 42
48	34 - 44	64	14	08.04 03 48
Metrisch				
M 12 x 1,5	3 - 6,5	14	6	08.08 04 12
M 16 x 1,5	4 - 8	20	7	08.08 04 16
M 20 x 1,5	6 - 12	22	8	08.08 04 20
M 25 x 1,5	10 - 14	27	8	08.08 04 25
M 32 x 1,5	13 - 18	30	9	08.08 04 32
M 40 x 1,5	18 - 25	40	9	08.08 04 40
M 50 x 1,5	22 - 32	50	9	08.08 04 50
M 63 x 1,5	34 - 44	64	14	08.08 04 63



Type	Blind plug
Material	brass nickel-plated
Sealing insert	NBR
Ingress protection	IP 68
Temperature range	-40°C to +100°C

Type	Cable Ø	AF*	TL*	Order No.
PG				
7		15	5	08.04 06 07
9		18	5	08.04 06 09
11		22	5	08.04 06 11
13,5		24	6	08.04 06 13
16		26	6	08.04 06 16
21		32	6	08.04 06 21
29		40	8	08.04 06 29
36		50	9	08.04 06 36
42		57	10	08.04 06 42
Metrisch				
M 12 x 1,5		14	5	08.09 04 12
M 16 x 1,5		18	5	08.09 04 16
M 20 x 1,5		22	6	08.09 04 20
M 25 x 1,5		28	7	08.09 04 25
M 32 x 1,5		35	8	08.09 04 32
M 40 x 1,5		44	8	08.09 04 40
M 50 x 1,5		54	9	08.09 04 50
M 63 x 1,5		67	10	08.09 04 63



Type	Counter nut
Material	brass nickel-plated

Type	Cable Ø	AF*	TL*	Order No.
PG				
7		15		08.04 09 07
9		18		08.04 09 09
11		21		08.04 09 11
13,5		23		08.04 09 13
16		26		08.04 09 16
21		32		08.04 09 21
29		41		08.04 09 29
Metrisch				
M 12 x 1,5		15		08.09 09 12
M 16 x 1,5		19		08.09 09 16
M 20 x 1,5		23		08.09 09 20
M 25 x 1,5		29		08.09 09 25
M 32 x 1,5		36		08.09 09 32
M 40 x 1,5		45		08.09 09 40
M 50 x 1,5		55		08.09 09 50
M 63 x 1,5		70		08.09 09 63

Brass Cable glands EMC versions and accessories



Type	Cable gland EMC
Material	brass nickel-plated
Sealing insert	PG: NBR Metric: neoprene
Ingress protection	IP 68 - 10 bar
Temperature range	PG: -40°C to +100°C Metric: -30°C to +100°C

Type	Cable Ø	AF*	TL*	Order No.
PG				
7	3 - 6,5	14	5	08.07 00 07
9	4 - 8	17	6	08.07 00 09
11	5 - 10	20	6	08.07 00 11
13.5	6 - 12	22	6,5	08.07 00 13
16	10 - 14	24	6,5	08.07 00 16
21	13 - 18	30	7	08.07 00 21
29	18 - 25	40	8	08.07 00 29
36	22 - 32	50	8	08.07 00 36
42	32 - 38	57	9	08.07 00 42
48	37 - 44	64	10	08.07 00 48
Metric				
M 12 x 1,5	3,5 - 7	16	6,5	08.07 01 12
M 16 x 1,5	4,5 - 9	20	7	08.07 01 16
M 20 x 1,5	7 - 12,5	24	8	08.07 01 20
M 25 x 1,5	9 - 16,5	29	8	08.07 01 25
M 32 x 1,5	11 - 21	36	9	08.07 01 32
M 40 x 1,5	19 - 28	45	9	08.07 01 40



Type	Counter nut EMC
Material	brass nickel-plated

Type	Cable Ø	AF*	TL*	Order No.
PG				
7		15		08.07 09 07
9		18		08.07 09 09
11		21		08.07 09 11
13.5		23		08.07 09 13
16		26		08.07 09 16
21		32		08.07 09 21
29		41		08.07 09 29
36		51		08.07 09 36
42		60		08.07 09 42
48		64		08.07 09 48
Metric				
M 12 x 1,5		15		08.07 08 12
M 16 x 1,5		19		08.07 08 16
M 20 x 1,5		24		08.07 08 20
M 25 x 1,5		30		08.07 08 25
M 32 x 1,5		36		08.07 08 32
M 40 x 1,5		46		08.07 08 40
M 50 x 1,5		60		08.07 08 50
M 63 x 1,5		70		08.07 08 63



Type	Pressure balance element
Material	Stainless steel 1.4305
Seal ring	NBR
Ingress protection	IP 66 / IP 69K
Air flow rate	0,4 l/min at 0,1 bar ΔP 5 l/min at 1 bar ΔP
Temperature range	-40°C to +105°C

Type	Cable Ø	AF*	TL*	Order No.
Metric				
M 12 x 1,5		17	10	08.50 10 12

* AF: width across flats
TL: thread length

How to choose the right enclosure

Various criteria have to be taken into account when selecting a enclosure:

- place of installation (inside/outside, Ex area, saltwater area etc.)
- size (depending on the internal equipment)
- protective function (type of protection, EMC resistance, Ex)

The following lists help you selecting the right enclosure for your special application.

I. Enclosure material specifications

Aluminium enclosure

- light-weight, sturdy metal enclosure
- good chemical resistance (see table)
- can be used for a large temperature range
- EMC basic screening (full screening as an option)
- good machining possibilities
- Applications: suitable for inside and outside, when used outside in an aggressive or saltwater environment, special version or Ex versions available

Polyester enclosure

- plastic enclosure for adverse environments
- good chemical resistance (see table)
- can be used for a large temperature range
- good insulation properties
- V-0 execution (acc. to UL)
- Applications: suitable for inside and outside; industrial standard enclosure

Polycarbonate enclosure

- light-weight plastic enclosure
- good chemical resistance (see table)
- can be used in a large temperature range
- good insulation properties
- good machining possibilities
- transparent executions possible (lid)
- Applications: suitable for inside and outside

ABS enclosure

- light-weight plastic enclosure
- good chemical resistance (see table)
- can be used in standard temperature ranges

Polystyrene enclosure

- light-weight plastic enclosure
- good chemical resistance (see table)
- can be used in standard temperature ranges

II. Ingress protection

The ingress protection of ROSE enclosures is classified in accordance with the generally applicable directives meeting EN 60529 and IEC 144.

The ingress protection are identified by a code composed of two always identical letters IP and two numbers indicating the degree of protection.

Degrees of protection relating to contact and foreign bodies

First number	Denomination
0	No protection
1	Protection against large foreign bodies
2	Protection against medium-sized foreign bodies
3	Protection against small foreign bodies
4	Protection against grainy foreign bodies
5	Protection against dust deposits
6	Protection against the ingress of dust

Degrees of protection relating to water

Second number	Denomination
0	No protection
1	Protection against vertically dripping water
2	Protection against dripping water at an angle???
3	Protection against water spray
4	Protection against water splashes
5	Protection against water jet
6	Protection against flooding
7	Protection when dipped
8	Protection when immersed

Note: The ingress protection indicated for the enclosures refer to the unmachined enclosures in the delivered state. Aging and temperature fluctuations might lead to a reduction of the degree of protection.

General technical information

III. Chemical resistance

When assessing whether or not an enclosure is resistant to the influence of chemical substances, not only the enclosure material, but also the type of seals has to be taken into consideration. The following tables only list the most important basic materials used for ROSE enclosures, and the most common chemical substances. These tables only contain information as to how far materials are typically resistant to such substances. Both the concentration and the ambient temperature must also be taken into account. If several chemicals are encountered at the same time, we recommend to carry out an exact investigation to be able to correctly assess the chemical resistance of a material.

Chemical resistance of enclosure materials

Chemicals	Aluminium	ABS	Polycarbonate	Polyester	Polystyrene	Polyamide
Acetone	+	-	-	-	-	•
Formic acid	•	-	30 %	10 %	•	-
Ammonia	+	-	-	-	+	20 %
Petroleum	+	-	•	+	•	+
Benzene	+	-	-	+	-	-
Brake fluid	/	/	-	+	/	60°
Butane	+	/	+	/	-	+
Butanol	/	/	/	+	/	+
Calcium chloride	+	/	+	+	+	+
Chlorbenzene	+	-	-	+	-	•
Diesel oil	/	+	•	+	•	/
Acetic acid	+	10 % •	10 %	40 %	+ max. 50 %	-
Formaldehyde	+	+	/	30 %	+ max. 40 %	+
Frigen 113	/	/	+	+	/	/
Fruit juice	/	/	+	+	/	+
Glycerine	+	+	•	+	+	+
Heating oil	+	•	•	+	•	+
Hydraulic oil	/	/	+	+	•	+
Lime potash	/	/	-	-	+ max. 50 %	-
Potassium chloride	•	/	+	+	+	+
Potassium hydroxide	-	+	/	-	+	/
Linseed oil	+	/	+	+	+	+
Methanol	+	/	-	-	+	•
Methylene chloride	+	/	-	-	-	-
Lactic acid	+	+	10 %	+	+ max. 80 %	10 %
Mineral oils	/	+	+	+	+	+
Engine oils	/	/	+	+	+	+
Sodium carbonate	•	/	+	+	+	+
Sodium chloride	•	/	+	+	+	10 %
Sodium hydroxide	+	+	/	-	/	/
Caustic soda	/	-	-	40 %	+ max. 50 %	10 %
Nitric acid	+	30 %	10 %	10 %	+ max. 25 %	-
Hydrochloric acid	/	10 % •	20 %	+	+ max. 10 %	-
Lubricating oil	+	/	+	+	/	+
Carbon disulfide	+	/	-	-	-	•
Sulphuric acid	•	30 %	50 %	70 %	+ max. 50 %	-
Soapy lye	/	/	•	+	/	+
Detergent	/	/	+	/	/	/
Turpentine oil	/	/	/	+	-	+
Carbon tetrachloride	+	-	/	+	-	•
Toluene	+	-	-	+	-	+
Trichlorethylene	+	-	/	-	-	-
Water (distilled water, fresh water, tap water, saltwater)	/	+	+	+	+	+
Tartaric acid	/	/	10 %	+	+	+
Xylene	+	-	-	+	-	+
Zinc sulphate	•	/	+	+	+	/
Citric acid	+	10 %	10 %	+	+	10 %

Unless otherwise quoted, the investigation was conducted at ambient temperature. If several substances are encountered, the resistance factors could change. For this reason, we do not assume any liability for the above information.

Symbol definition

- +: resistant to all concentrations
- %: resistant to a maximum concentration in %
- C°: resistant to maximum C°
- : conditional resistance
- : non resistance
- /: no information

Chemical resistance of enclosure seals and accessories

Chemicals	Chloroprene	EPDM	NBR	Pocan	Polyurethane	PVC	Silicone
Acetone	+	+	-	+	-	-	•
Formic acid	+	+	-	10 %	/	< 50 %	•
Ammonia	+	+	+	10 %	/	•	+
Petroleum	+	•	+	+	+	+	+
Benzene	-	-	-	+	+	-	-
Brake fluid	•	-	/	+	/	/	+
Butane	+	/	+	+	/	50 %	-
Butanol	+	/	-	+	/	•	-
Calcium chloride	/	/	/	10 %	/	+	/
Chlorobenzene	-	-	-	-	-	-	-
Diesel oil	•	•	/	+	+	•	•
Acetic acid	-	/	-	10 %	/	25 %	-
Formaldehyde	-	/	+	/	/	40 %	+
Frigen 113	+	/	+	+	/	/	/
Fruit juice	+	+	/	+	+	+	+
Glycerine	+	+	+	+	+	+	+
Heating oil	•	•	+	+	+	•	•
Hydraulic oil	+	/	/	+	/	/	•
Lime potash	+	/	/	10 %	/	+	/
Potassium chloride	+	+	+	10 %	+	+	+
Potassium hydroxide	+	+	+	-	-	/	•
Linseed oil	+	+	+	+	+	+	•
Methanol	+	/	•	+	/	/	+
Methylene chloride	-	/	-	-	-	-	-
Lactic acid	+	+	+	/	/	10 %	/
Mineral oils	•	•	+	+	+	+	+
Engine oils	•	•	+	+	+	/	+
Sodium carbonate	/	/	/	10 %	/	/	/
Sodium chloride	+	+	+	10 %	+	+	+
Sodium hydroxide	+	+	•	-	-	•	•
Caustic soda	50 %	/	-	/	/	60 %	-
Nitric acid	•	+	•	10 %	-	30 %	-
Hydrochloric acid	+	+	< 65 %	• 10 %	-	30 %	/
Lubricating oil	•	•	+	+	+	+	+
Carbon disulphide	-	/	-	+	/	•	-
Sulphuric acid	50 %	/	25 %	10 %	/	80 %	25 %
Soapy lye	+	/	+	10 %	•	•	+
Detergent	+	•	/	+	•	/	+
Turpentine oil	-	/	+	+	/	+	-
Carbon tetrachloride	-	-	-	+	-	•	-
Toluene	-	-	-	•	-	-	-
Trichlorethylene	-	-	-	•	-	-	-
Water (dist. water, fresh water, tap water, saltwater)	+	+	80 C°	+	+	40 C°	+
Tartaric acid	+	+	+	/	+	10 %	+
Xylene	-	-	-	•	-	-	-
Zinc sulphate	+	+	+	/	/	40 %	+
Citric acid	+	+	+	10 %	/	10 %	+

Unless otherwise quoted, the investigation was conducted at ambient temperature. If several substances are encountered, the resistance factors could change. For this reason, we do not assume any liability for the above information.

Symbol definition

- +: resistant to all concentrations
- %: resistant to maximum concentration in %
- C°: resistant to maximum C°
- : conditional resistance
- : non resistant
- /: no information

General technical information

IV. Temperature range

By definition, the temperature resistance refers to the maximum permanent temperature under which the dimensional stability and the type of protection remains guaranteed. Often, the permissible short term peak temperatures can be considerably higher.
The definition of the temperature resistance of process automation components refers to the maximum permanent temperature under the effect of which the perfect function of the factory installed (electronic) components and the type of protection remain guaranteed.
In addition, classifications apply to storage and transport. They are contained in the individual product descriptions.

V. Corrosion resistance

For critical outside areas, we offer:
SWB version (saltwater resistant):
washed - chromated - powder coated
RAL 5009 as standard, other colours on request.
For application areas with extreme UV radiation we recommend coating with a special polyester powder.

SBG/SBGL version only for wet painting processes.
SBG = Washed - chromated - priming
SBGL = Washed - chromated - priming - painting
Stainless steel socket inserts available on request.

EMC in enclosure technology

General information

In electrical/electronic engineering, enclosures assume two tasks:

- protection of the installed components from mechanical hazards and adverse radiation from outside
- protection of the surroundings from occurring mechanical and electrical hazards and adverse interference radiation from the components installed

Especially the electromagnetic compatibility (EMC) has an increasing effect on the selection of enclosures because of the ongoing development of the electronic components and the increased equipment density on the PCB's - which increasingly generates „pollution“ by electromagnetic interference radiation in the environment.

Legal regulations

Within the framework of harmonising the European standards, an EC guideline directive (05.89/336/EEC) was passed in May 1989, which took effect in the Federal Republic of Germany on the 9th Nov. 1992 in the EMC law (EMVG).
This law is applicable to all units which might cause electromagnetic interference or the operation of which could be impaired by such interference.
The EMC directive came into effect on 1.1.1996 EC-wide - from which date all new electrical and electronic units brought into circulation within the EC had to fulfil these regulations.
As an external sign that the EC relevant laws (EMC law and further design basics), these units have to show the CE symbol.

Requirements from the enclosure

Enclosures as such are not subjected to the EMC law, as by definition they are not electrical or electronic units.
However, enclosures are to a large extent responsible for the intensity of interference emission (receipt and transmission of interference waves) of a unit.
At this point, the choice of the enclosure material is also decisive for the screening effect which is composed of a reflection and an absorption damping of an enclosure.

Synthetic materials (plastics) alone have no filtering effect on interference radiation. A screening effect can be achieved by additional costly treatment (metal flashing or application of a conductive lacquer).

Metal enclosures, on the other hand, offer a highly effective basic protection against interference radiation. (Here an important factor is a large contact surface of the individual components of the enclosure (cover, enclosure shells).

To meet special protection requirements, the EMC compatibility can be increased by

- conductive seals,
- contact bare front surfaces as well as
- EMC compatible cable screw connections.

ROSE Systemtechnik GmbH
Erbeweg 13-15 | D-32457 Porta Westfalica
Fon +49 571 50 41 0 | Fax +49 571 50 41 6
E-Mail rose@rose-pw.de | Web www.rose-systemtechnik.com



A Phoenix Mecano Company